



# **Printer, Option, and Stand Compatibility Guide**

---

## **Laser Printers**

# Contents

**Supported maximum configurations..... 4**

- Lexmark C2335, CS531, CS632, CS639..... 4
- Lexmark CX532, CX635, XC2335..... 6
- Lexmark MS531, MS631, MS632, MS639, M3350..... 8
- Lexmark MX532, MX632, XM3350..... 10
- Lexmark CX730, CX735, CX737, XC4342, XC4352..... 13
- Lexmark C4342, C4352, CS730, CS735, CS737..... 14
- Lexmark MX331, MX431, MX432, MB3442, XM1342, XM3142..... 16
- Lexmark CS943..... 17
- Lexmark CX942, CX943, CX944, XC9445, XC9455, XC9465..... 20
- Lexmark CX930, CX931, MX931, XC9325, XC9335..... 23
- Lexmark B3340, B3442, M1342, MS331, MS431, MS439..... 26
- Lexmark C2326, C3224, C3326, C3426, CS331, CS431, CS439..... 27
- Lexmark CX331, CX431, MC3224, MC3326, MC3426, XC2326..... 28
- Lexmark C2240, C2325, C2425, C2535, CS421, CS521, CS622..... 29
- Lexmark CX421, CX522, CX622, CX625, MC2325, MC2425, MC2535, MC2640, XC2235, XC4240..... 31
- Lexmark B2865, M5255, M5270, MS725, MS821, MS822, MS823, MS825, MS826..... 33
- Lexmark MB2770, MX721, MX722, MX725, XM5365, XM5370..... 37
- Lexmark MX822, MX826, XM7355, XM7370..... 40
- Lexmark B2338, B2442, B2546, B2650, M1242, M1246, M3250, MS321, MS421, MS521, MS621, MS622..... 42
- Lexmark MB2338, MB2442, MB2546, MX321, MX421, MX521, MX522, XM1242, XM1246..... 43
- Lexmark MB2650, MX622, XM3250..... 45
- Lexmark C9235, CS921, CS923, CS927..... 46
- Lexmark CX921, CX922, CX923, CX924, CX927, XC9235, XC9245, XC9255, XC9265..... 48
- Lexmark C4150, CS720, CS725, CS727, CS728..... 50
- Lexmark CX725, CX727, XC4140, XC4143, XC4150, XC4153..... 52
- Lexmark C6160, CS820, CS827..... 53
- Lexmark CX820, CX827, XC6152, XC6153..... 55
- Lexmark CX825, CX860, XC8155, XC8160, XC8163..... 56
- Lexmark MS911 and MX910 series..... 58
- Lexmark M5155, M5163, M5170, MS710, MS711, MS810, MS811, MS812, MS817, MS818..... 61
- Lexmark MX710, MX711, MX717, MX718, XM5163, XM5170..... 66

---

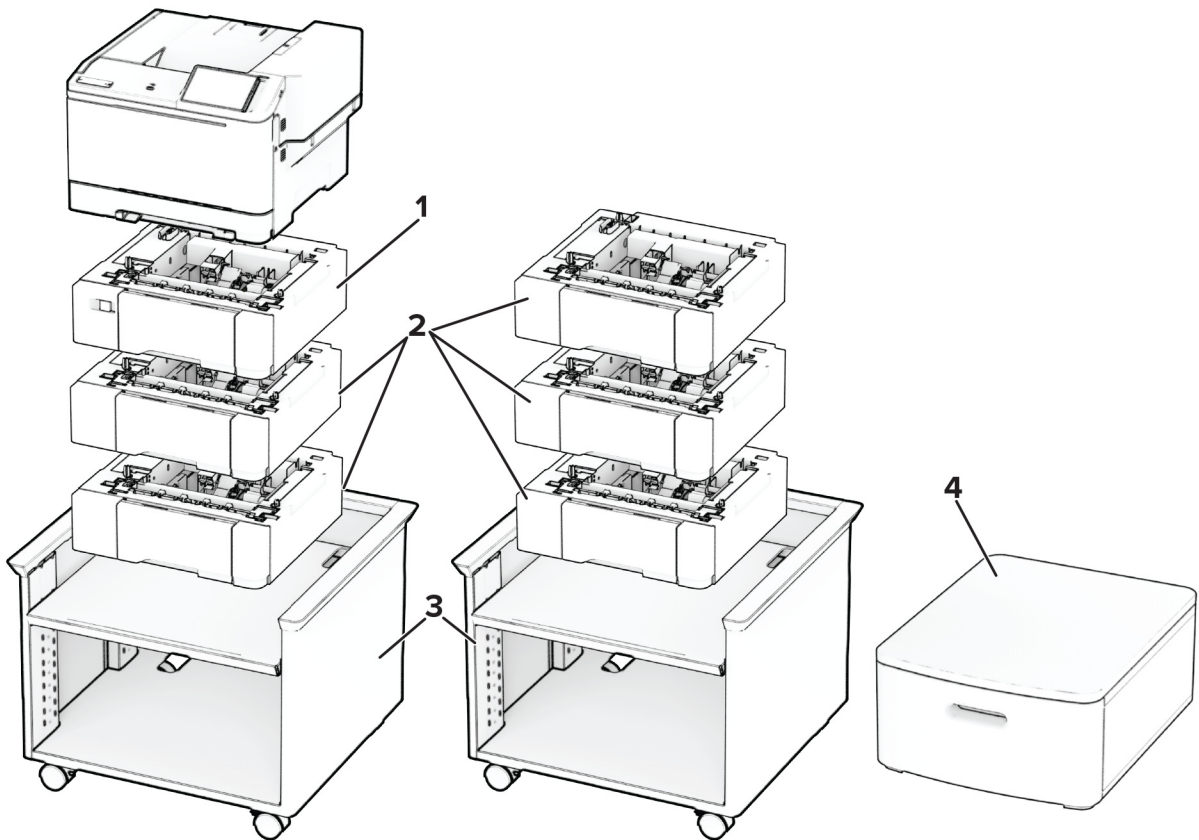
Lexmark MX810 Series.....	68
Lexmark CX310, CX317, CX410, CX417, CX510, CX517, XC2132.....	69
Lexmark C2132, CS310, CS317, CS410, CS417, CS510, CS517.....	70
Lexmark MX610, MX611, MX617, XM3150.....	72
Lexmark MX310, MX317, MX410, MX417, MX510, MX511, MX517, XM1145.....	73
Lexmark M1145, M3150, M1140+, MS310, MS312, MS317, MS410, MS415, MS417, MS510, MS517, MS610, MS617.....	75
Lexmark C546dtn and X546dtn.....	76
Lexmark C730 Series.....	77
Lexmark C740 Series.....	78
Lexmark C792.....	79
Lexmark C925.....	80
Lexmark C950 Series.....	82
Lexmark T650 Series.....	85
Lexmark W850 and X860de.....	87
Lexmark X650 Series.....	88
Lexmark X658e.....	90
Lexmark X730 Series.....	90
Lexmark X740 Series.....	92
Lexmark X792.....	93
Lexmark X925.....	94
Lexmark X950 Series.....	95
Printer stand.....	98
Caster base.....	102
<b>Notices.....</b>	<b>104</b>
Edition notice.....	104
<b>Index.....</b>	<b>105</b>

## Supported maximum configurations

The following tables provide information about the maximum possible configurations for each printer, option, and stand.

Each row represents a supported maximum configuration. If an option is removed, then the information still indicates an acceptable configuration.

### Lexmark C2335, CS531, CS632, CS639





	Option	Placement				Part number
		Table or desktop	Floor	Adjustable printer stand	Swivel cabinet	
<b>1</b>	650-sheet duo tray <sup>1</sup>	1	1	1	1	50M7650
<b>2</b>	550-sheet tray <sup>2, 3</sup>	3	3	3	3	50M7550
<b>3</b>	Adjustable printer stand <sup>4</sup>	N/A	1	N/A	N/A	40C2300
<b>4</b>	Swivel cabinet	1	1	N/A	N/A	3073173

<sup>1</sup> When installed with the 550-sheet tray, place this tray below the printer.

<sup>2</sup> When installed with the 650-sheet duo tray, place this tray at the bottom of the configuration.

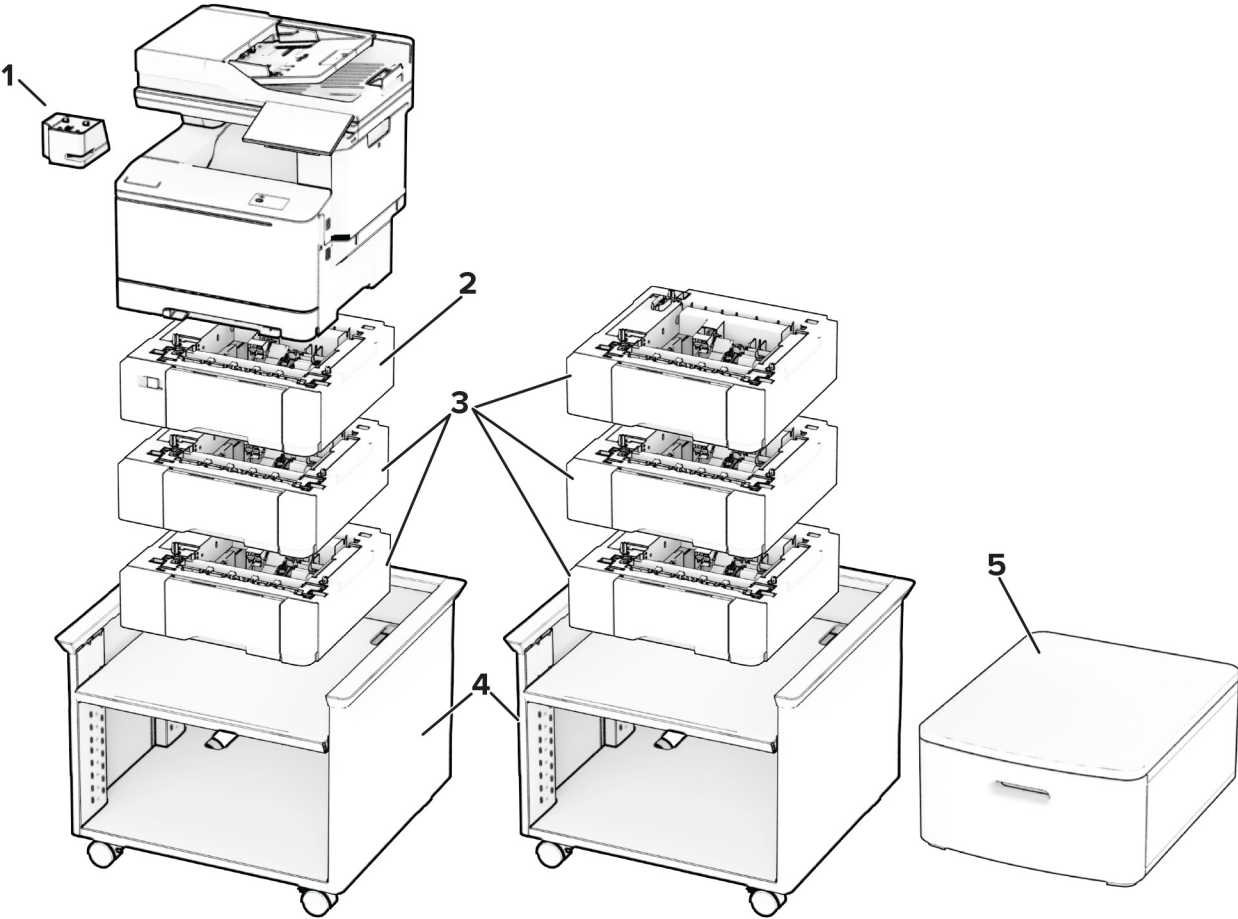
<sup>3</sup> When installed with the 650-sheet duo tray, you can add a maximum of two of this tray.

<sup>4</sup> For more information on supported configurations, see [“Adjustable printer stand 40C2300” on page 98.](#)

Printer model	Dimensions (height, width, and depth)
All models	318.3 x 422.5 x 455 mm (12.5 x 16.6 x 17.9 in.)

Printer option	Dimensions (height, width, and depth)
650-sheet duo tray	132.1 x 424.2 x 416.6 mm (5.2 x 16.7 x 16.4 in.)
550-sheet tray	132.1 x 424.2 x 416.6 mm (5.2 x 16.7 x 16.4 in.)
Adjustable printer stand	521 x 653 x 625 mm (20.5 x 25.7 x 24.6 in.)
Swivel cabinet	263 x 476 x 600 mm (10.4 x 18.7 x 23.6 in.)

# Lexmark CX532, CX635, XC2335



	Option	Placement				Part number
		Table or desktop	Floor	Adjustable printer stand	Swivel cabinet	
<b>1</b>	Convenience stapler	1	1	1	1	47C4500 (Americas LV)
						47C4590 (EMEA, Nordics, Switzerland HV)
						47C4593 (UK HV)
						47C4595 (Israel HV)
						47C4596 (ES Africa HV)
						47C4597 (ANZ HV)
<b>2</b>	650-sheet duo tray <sup>1</sup>	1	1	1	1	50M7650
<b>3</b>	550-sheet tray <sup>2,3</sup>	3	3	3	3	50M7550
<b>4</b>	Adjustable printer stand <sup>4</sup>	N/A	1	N/A	N/A	40C2300
<b>5</b>	Swivel cabinet	1	1	N/A	N/A	3073173

<sup>1</sup> When installed with the 550-sheet tray, place this tray below the printer.

<sup>2</sup> When installed with the 650-sheet duo tray, place this tray at the bottom of the configuration.

<sup>3</sup> When installed with the 650-sheet duo tray, you can add a maximum of two of this tray.

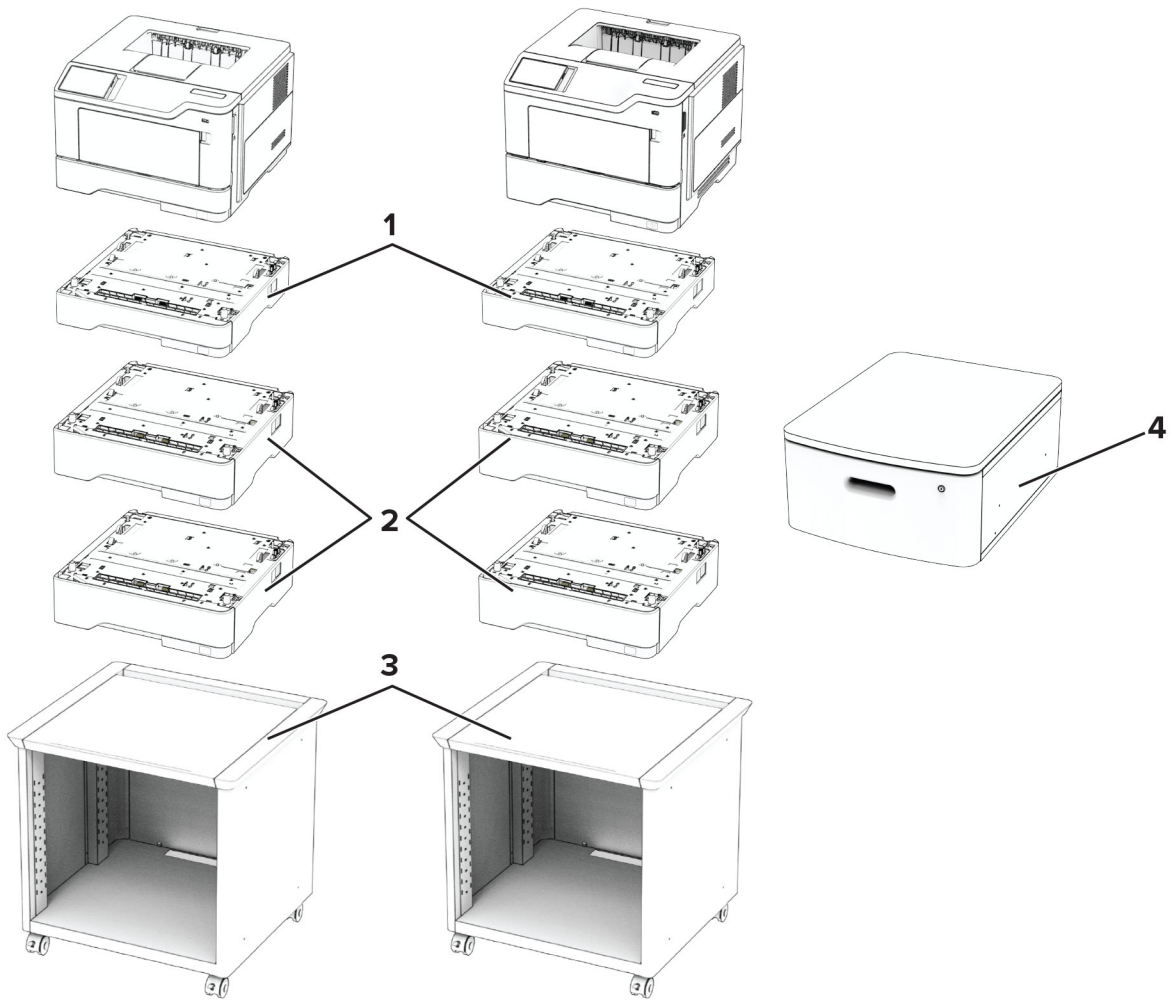
<sup>4</sup> For more information on supported configurations, see [“Adjustable printer stand 40C2300” on page 98.](#)

Printer model	Dimensions (height, width, and depth)
All models	491.4 x 475.1 x 479 mm (19.3 x 18.7 x 18.9 in.)

Printer option	Dimensions (height, width, and depth)
Convenience stapler	82 x 109 x 121 mm (3.23 x 4.29 x 4.77 in.)
650-sheet duo tray	132.1 x 424.2 x 416.6 mm (5.2 x 16.7 x 16.4 in.)
550-sheet tray	132.1 x 424.2 x 416.6 mm (5.2 x 16.7 x 16.4 in.)

Printer option	Dimensions (height, width, and depth)
Adjustable printer stand	521 x 653 x 625 mm (20.5 x 25.7 x 24.6 in.)
Swivel cabinet	263 x 476 x 600 mm (10.4 x 18.7 x 23.6 in.)

## Lexmark MS531, MS631, MS632, MS639, M3350



**Printer options, maximum configurations, part numbers, and dimensions**

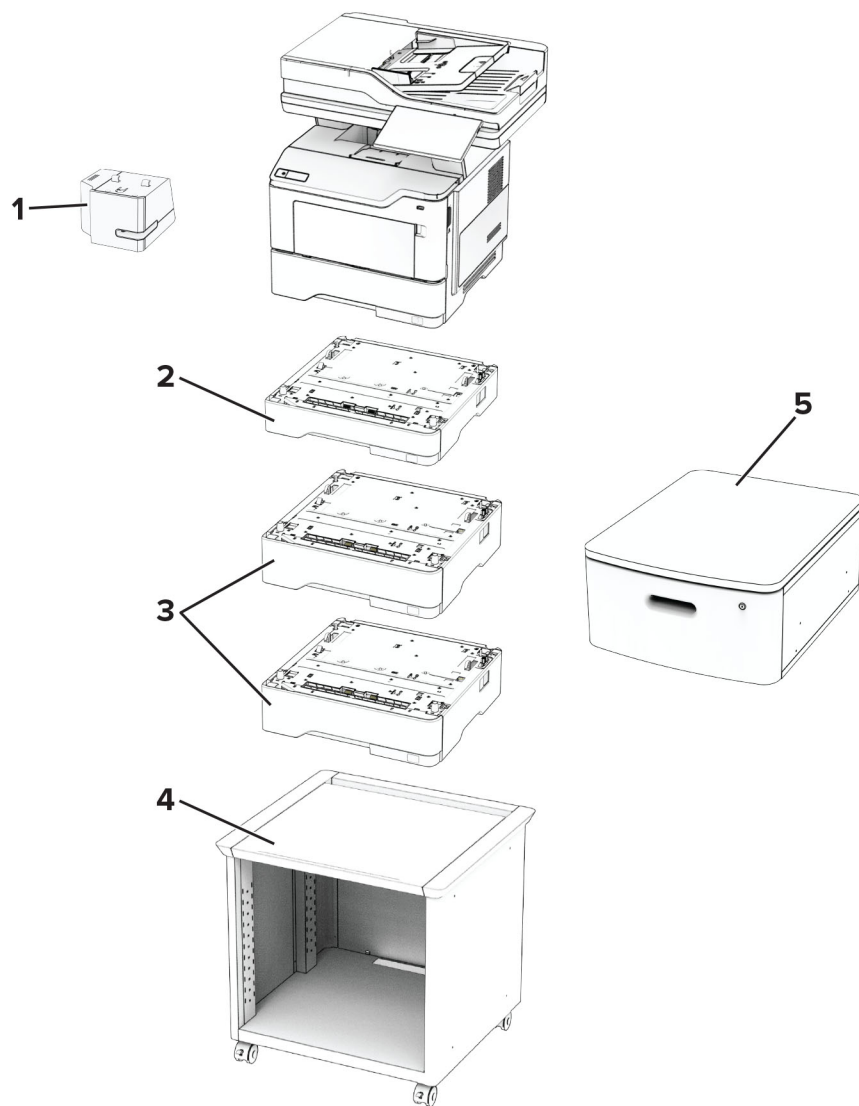
	Option	Placement				Part number
		Table or desktop	Floor	Adjustable printer stand	Swivel cabinet	
<b>1</b>	250-sheet tray*	3	3	3	3	38S2910
<b>2</b>	550-sheet tray*	3	3	3	3	38S3110
	550-sheet lockable tray*					38S3130
<b>3</b>	Adjustable printer stand	N/A	1	N/A	N/A	35S8502
<b>4</b>	Swivel cabinet	1	1	N/A	N/A	3073173

\* Can be installed with other optional trays in any order.

Printer model	Dimensions (height, width, and depth)
MS531	263 x 399 x 389 mm (10.4 x 15.7 x 15.3 in.)
MS631	307 x 399 x 389 mm (12.1 x 15.7 x 15.3 in. )
MS632, M3350	308 x 399 x 389 mm (12.1 x 15.7 x 15.3 in.)
MS639	307 X 399 X 389 mm (12.1 x 15.7 x 15.3 in.)

Printer option	Dimensions (height, width, and depth)
250-sheet tray	78 x 389 x 374 mm (3.1 x 15.3 x 14.7 in.)
550-sheet tray	108 x 389 x 374 mm (4.3 x 15.3 x 14.7 in.)
550-sheet lockable tray*	
Adjustable printer stand	584 x 597 x 597 mm (23 x 23.5 x 23.5 in.)
Swivel cabinet	263 x 476 x 600 mm (10.4 x 18.7 x 23.6 in.)

# Lexmark MX532, MX632, XM3350



## Printer options, maximum configurations, part numbers, and dimensions

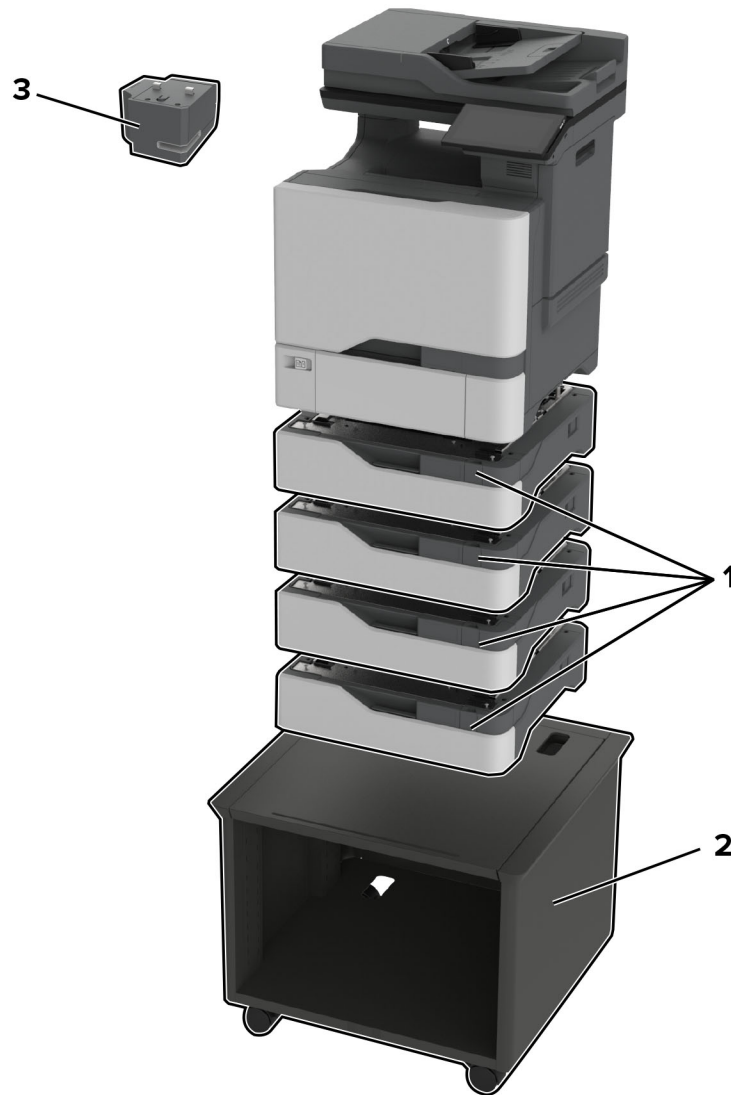
	Option	Placement				Part number
		Table or desktop	Floor	Adjustable printer stand	Swivel cabinet	
<b>1</b>	Convenience stapler	1	1	1	1	47C4500 (United States and Canada)
						47C4590 (European Economic Area, Iceland, Liechtenstein, and Norway)
						47C4593 (Middle East)
						47C4595 (Africa)
						47C4596 (United Kingdom)
						47C4597 (Australia and New Zealand)
<b>2</b>	250-sheet tray*	3	3	3	3	38S2910
<b>3</b>	550-sheet tray*	3	3	3	3	38S3110
	550-sheet lockable tray*					38S3130
<b>4</b>	Adjustable printer stand	N/A	1	N/A	N/A	35S8502
<b>5</b>	Swivel cabinet	1	1	N/A	N/A	3073173
* Can be installed with other optional trays in any order.						

Printer model	Dimensions (height, width, and depth)
MX532	514 x 479 x 450 mm (20.2 x 18.9 x 17.7 in.)
MX632, XM3350	514 x 479 x 452 mm (20.2 x 18.9 x 17.8 in.)

Printer option	Dimensions (height, width, and depth)
Convenience stapler	82 x 109 x 121 mm (3.23 x 4.29 x 4.77 in.)
250-sheet tray	78 x 389 x 374 mm (3.1 x 15.3 x 14.7 in.)
550-sheet tray	108 x 389 x 374 mm
550-sheet lockable tray*	(4.3 x 15.3 x 14.7 in.)
Adjustable printer stand	584 x 597 x 597 mm (23 x 23.5 x 23.5 in.)
Swivel cabinet	263 x 476 x 600 mm (10.4 x 18.7 x 23.6 in.)



## Lexmark CX730, CX735, CX737, XC4342, XC4352



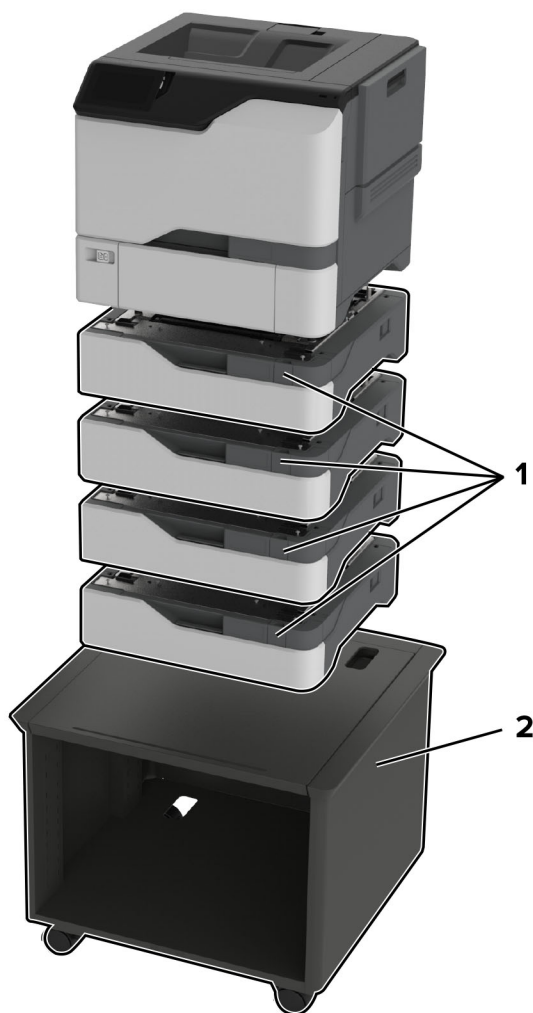
### Printer options, maximum configurations, part numbers, and dimensions

	Option	Placement			Part number	Dimensions (height, width, and depth)
		Table or desktop	Floor	Adjustable printer stand		
<b>1</b>	550-sheet tray	4	4	4	40C2100	119 x 463 x 483 mm (4.7 x 18.23 x 19 in.)
<b>2</b>	Adjustable printer stand*	N/A	1	N/A	40C2300	521 x 653 x 625 mm (20.5 x 25.7 x 24.6 in.)
<b>3</b>	Convenience stapler	1	1	1	47C4500 (NA) 47C4590 (EMEA)	82 x 109 x 121 mm (3.23 x 4.29 x 4.77 in.)

\* For more information on supported configurations, see [“Adjustable printer stand 40C2300” on page 98](#).

Printer model	Dimensions (height, width, and depth)
All models	621 x 479 x 533 mm (24.44 x 18.85 x 20.90 in.)

## Lexmark C4342, C4352, CS730, CS735, CS737



**Printer options, maximum configurations, part numbers, and dimensions**

	Option	Placement			Part number	Dimensions (height, width, and depth)
		Table or desktop	Floor	Adjustable printer stand		
<b>1</b>	550-sheet tray	4	4	4	40C2100	119 x 463 x 483 mm (4.7 x 18.23 x 19 in.)
<b>2</b>	Adjustable printer stand*	N/A	1	N/A	40C2300	521 x 653 x 625 mm (20.5 x 25.7 x 24.6 in.)

\* For more information on supported configurations, see [“Adjustable printer stand 40C2300” on page 98.](#)

Printer model	Dimensions (height, width, and depth)
All models	413 x 479 x 489 mm (16.25 x 18.85 x 19.25 in.)

## Lexmark MX331, MX431, MX432, MB3442, XM1342, XM3142

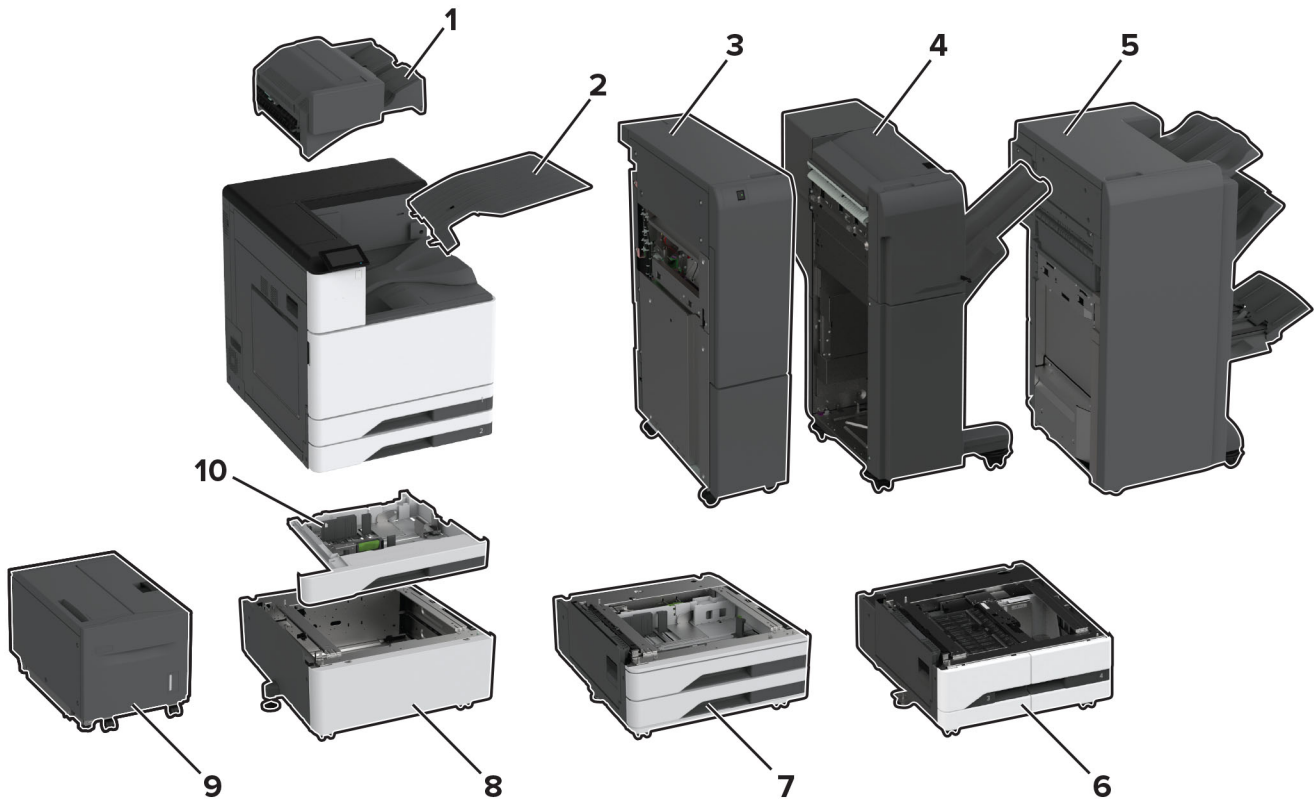


### Printer options, maximum configurations, part numbers, and dimensions

Option	Placement				Part number	Dimensions (height, width, and depth)
	Table or desktop	Floor	Adjustable printer stand	Swivel cabinet		
1 550-sheet tray	1	1	1	1	29S0600	107 x 368 x 378 mm (4.2 x 14.5 x 14.9 in.)
2 Adjustable printer stand	N/A	1	N/A	N/A	35S8502	584 x 597 x 597 mm (23 x 23.5 x 23.5 in.)
3 Swivel cabinet	1	1	N/A	N/A	3073173	263 x 476 x 600 mm (10.4 x 18.7 x 23.6 in.)

Printer model	Dimensions (height, width, and depth)
All models	339 x 411 x 366 mm (13.3 x 16.2 x 14.4 in.)

# Lexmark CS943



**Printer options, maximum configurations, part numbers, and dimensions**

	Option	Placement		Part number	Dimensions (height, width, and depth)
		Floor	Spacer		
<b>1</b>	Staple finisher <sup>1</sup>	1	N/A	32D0820	238.76 x 477.52 x 459.74 mm (9.4 x 18.8 x 18.1 in.)
<b>2</b>	Dual catch bin	1	N/A	32D0819	124.46 x 474.98 x 381 mm (4.9 x 18.7 x 15 in.)
<b>3</b>	Trifold/Z-fold finisher <sup>2, 3</sup>	1	N/A	Varies according to region	990.6 x 231.14 x 726.44 mm (39 x 9.1 x 28.6 in.)
<b>4</b>	Staple, hole punch finisher <sup>2, 4</sup>	1	N/A	32D0823 (2/3 hole punch)	982.98 x 952.5 x 652.78 mm (38.7 x 37.9 x 25.7 in.)
				32D0824 (2/4 hole punch)	
				32D0828 (Swedish hole punch)	
<b>5</b>	Booklet finisher <sup>2, 4</sup>	1	N/A	32D0825 (2/3 hole punch)	1056.64 x 789.94 x 589.28 mm (41.6 x 31.1 x 23.2 in.)
				32D0826 (2/4 hole punch)	
<b>6</b>	2000-sheet tandem tray <sup>5</sup>	1	1	32D0812	304.8 x 668.02 x 718.82 mm (12 x 26.3 x 28.3 in.)
<b>7</b>	2 x 520-sheet tray <sup>6</sup>	1	1	32D0811	304.8 x 668.02 x 718.82 mm (12 x 26.3 x 28.3 in.)

<sup>1</sup> Not supported when another finisher is installed.

<sup>2</sup> Requires placing the printer on top of the 2000-sheet tandem tray, optional 2 x 520-sheet tray, or spacer.

<sup>3</sup> Must be installed with the booklet finisher.

<sup>4</sup> Comes with a paper transport.

<sup>5</sup> Cannot be installed with the optional 2 x 520-sheet tray or spacer.

<sup>6</sup> Cannot be installed with the 2000-sheet tandem tray or spacer.

<sup>7</sup> Cannot be installed with the 2000-sheet tandem tray or optional 2 x 520-sheet tray.

<sup>8</sup> Must be installed with either the 2000-sheet tandem tray or optional 2 x 520-sheet tray.

	Option	Placement		Part number	Dimensions (height, width, and depth)
		Floor	Spacer		
<b>8</b>	Spacer <sup>7</sup>	1	N/A	32D0810	304.8 x 668.02 x 718.82 mm (12 x 26.3 x 28.3 in.)
<b>9</b>	2000-sheet tray <sup>8</sup>	1	N/A	32D0816	490.22 x 751.84 x 525.78 mm (19.3 x 29.6 x 20.7 in.)
<b>10</b>	Envelope tray	1	1	32D0813	88.9 x 619.76 x 566.42 mm (3.5 x 24.4 x 22.3 in.)

<sup>1</sup> Not supported when another finisher is installed.

<sup>2</sup> Requires placing the printer on top of the 2000-sheet tandem tray, optional 2 x 520-sheet tray, or spacer.

<sup>3</sup> Must be installed with the booklet finisher.

<sup>4</sup> Comes with a paper transport.

<sup>5</sup> Cannot be installed with the optional 2 x 520-sheet tray or spacer.

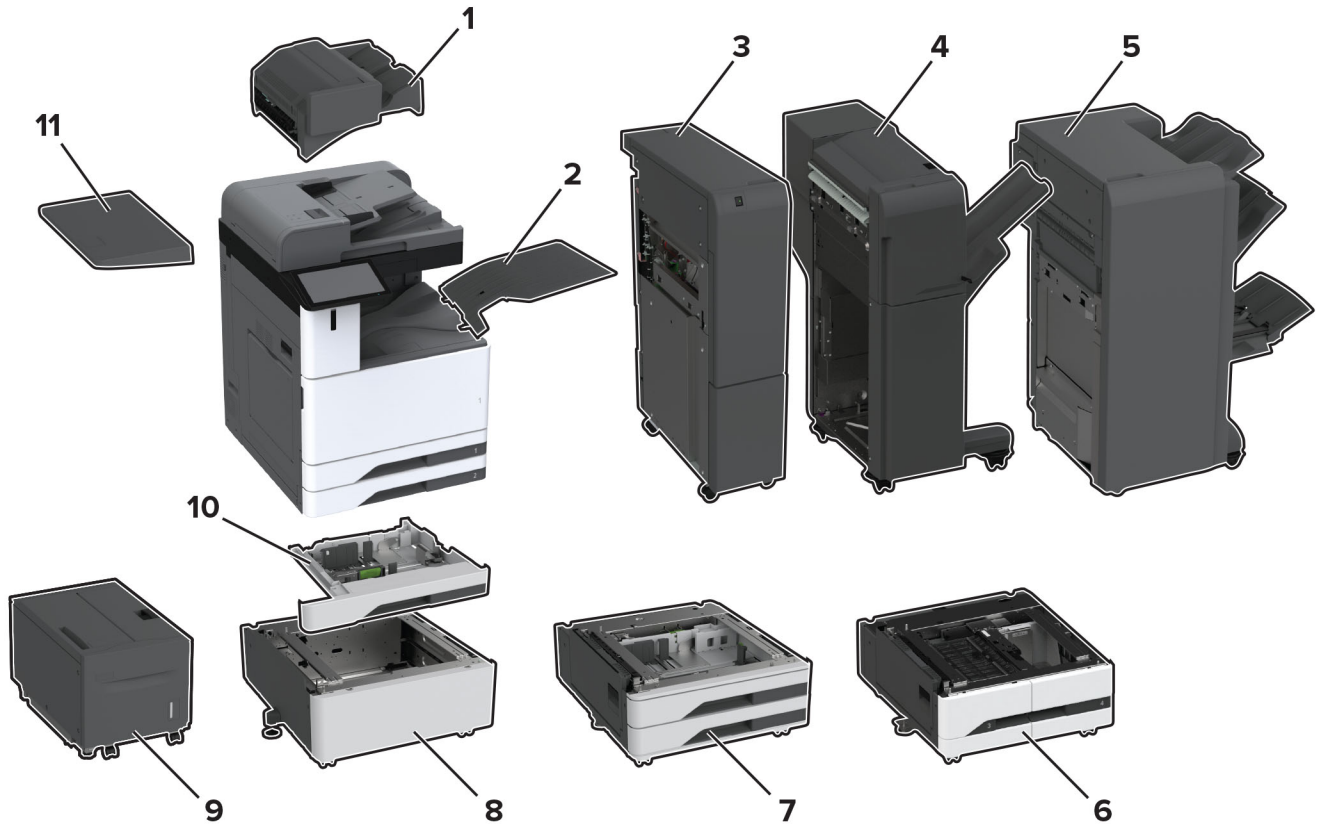
<sup>6</sup> Cannot be installed with the 2000-sheet tandem tray or spacer.

<sup>7</sup> Cannot be installed with the 2000-sheet tandem tray or optional 2 x 520-sheet tray.

<sup>8</sup> Must be installed with either the 2000-sheet tandem tray or optional 2 x 520-sheet tray.

Printer model	Dimensions (height, width, and depth)
CS943	713.74 x 619.76 x 746.76 mm (28.1 x 24.4 x 29.4 in.)

# Lexmark CX942, CX943, CX944, XC9445, XC9455, XC9465





**Printer options, maximum configurations, part numbers, and dimensions**

	Option	Placement		Part number	Dimensions (height, width, and depth)
		Floor	Spacer		
<b>1</b>	Staple finisher <sup>1</sup>	1	N/A	32D0820	238.76 x 477.52 x 459.74 mm (9.4 x 18.8 x 18.1 in.)
<b>2</b>	Dual catch bin	1	N/A	32D0819	124.46 x 474.98 x 381 mm (4.9 x 18.7 x 15 in.)
<b>3</b>	Trifold/Z-fold finisher <sup>2, 3</sup>	1	N/A	Varies according to region	990.6 x 231.14 x 726.44 mm (39 x 9.1 x 28.6 in.)
<b>4</b>	Staple, hole punch finisher <sup>2, 4</sup>	1	N/A	32D0823 (2/3 hole punch)	982.98 x 952.5 x 652.78 mm (38.7 x 37.9 x 25.7 in.)
				32D0824 (2/4 hole punch)	
				32D0828 (Swedish hole punch)	
<b>5</b>	Booklet finisher <sup>2, 4</sup>	1	N/A	32D0825 (2/3 hole punch)	1056.64 x 789.94 x 589.28 mm (41.6 x 31.1 x 23.2 in.)
				32D0826 (2/4 hole punch)	
<b>6</b>	2000-sheet tandem tray <sup>5</sup>	1	1	32D0812	304.8 x 668.02 x 718.82 mm (12 x 26.3 x 28.3 in.)
<b>7</b>	2 x 520-sheet tray <sup>6</sup>	1	1	32D0811	304.8 x 668.02 x 718.82 mm (12 x 26.3 x 28.3 in.)

<sup>1</sup> Not supported when another finisher is installed.

<sup>2</sup> Requires placing the printer on top of the 2000-sheet tandem tray, optional 2 x 520-sheet tray, or spacer.

<sup>3</sup> Must be installed with the booklet finisher.

<sup>4</sup> Comes with a paper transport.

<sup>5</sup> Cannot be installed with the optional 2 x 520-sheet tray or spacer.

<sup>6</sup> Cannot be installed with the 2000-sheet tandem tray or spacer.

<sup>7</sup> Cannot be installed with the 2000-sheet tandem tray or optional 2 x 520-sheet tray.

<sup>8</sup> Must be installed with either the 2000-sheet tandem tray or optional 2 x 520-sheet tray.

	Option	Placement		Part number	Dimensions (height, width, and depth)
		Floor	Spacer		
<b>8</b>	Spacer <sup>7</sup>	1	N/A	32D0810	304.8 x 668.02 x 718.82 mm (12 x 26.3 x 28.3 in.)
<b>9</b>	2000-sheet tray <sup>8</sup>	1	N/A	32D0816	490.22 x 751.84 x 525.78 mm (19.3 x 29.6 x 20.7 in.)
<b>10</b>	Envelope tray	1	1	32D0813	88.9 x 619.76 x 566.42 mm (3.5 x 24.4 x 22.3 in.)
<b>11</b>	Working shelf	1	1	32D0809	81.28 x 302.26 x 528.32 mm (3.2 x 11.9 x 20.8 in.)

<sup>1</sup> Not supported when another finisher is installed.

<sup>2</sup> Requires placing the printer on top of the 2000-sheet tandem tray, optional 2 x 520-sheet tray, or spacer.

<sup>3</sup> Must be installed with the booklet finisher.

<sup>4</sup> Comes with a paper transport.

<sup>5</sup> Cannot be installed with the optional 2 x 520-sheet tray or spacer.

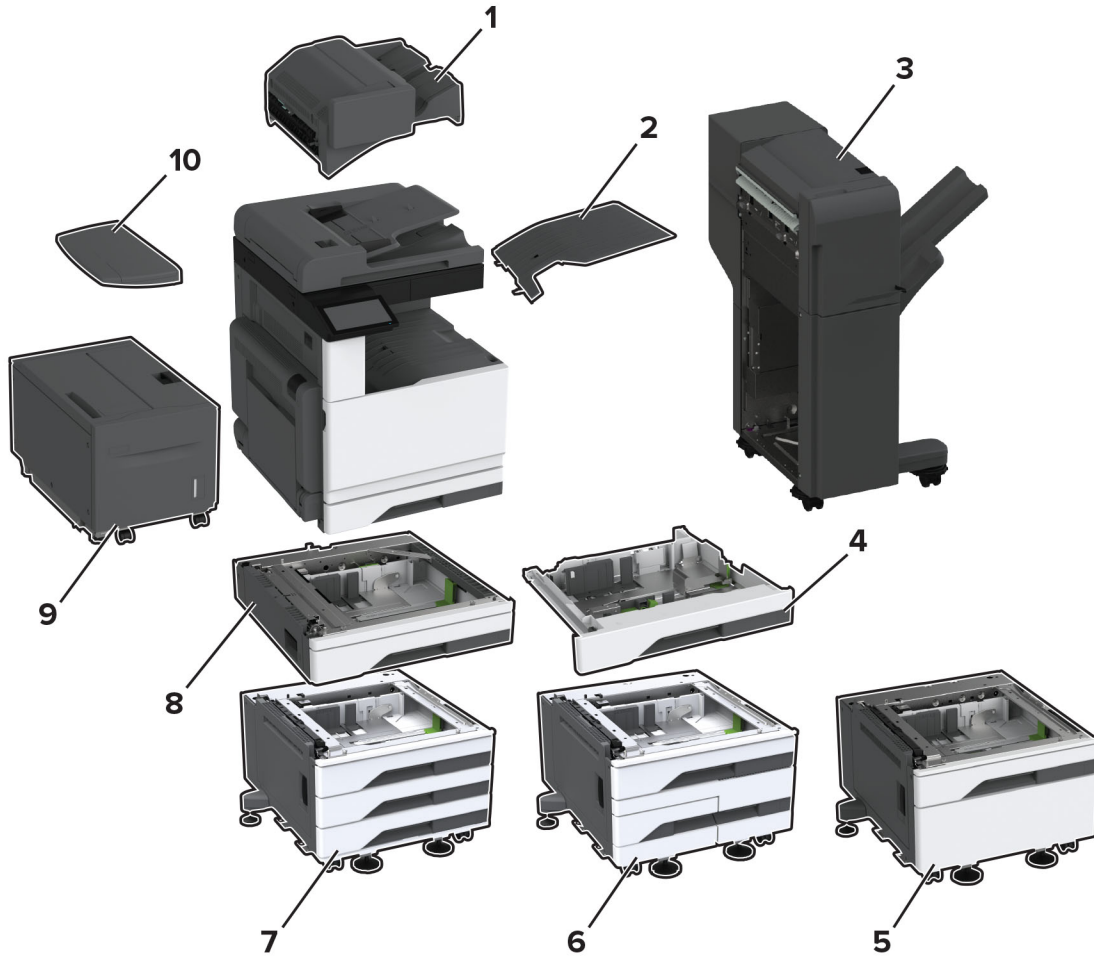
<sup>6</sup> Cannot be installed with the 2000-sheet tandem tray or spacer.

<sup>7</sup> Cannot be installed with the 2000-sheet tandem tray or optional 2 x 520-sheet tray.

<sup>8</sup> Must be installed with either the 2000-sheet tandem tray or optional 2 x 520-sheet tray.

Printer model	Dimensions (height, width, and depth)
CX942, XC9445, XC9455, XC9465	878.84 x 619.76 x 756.92 mm (34.6 x 24.4 x 29.8 in.)
CX943, CX944	1132.84 x 619.76 x 756.92 mm (44.6 x 24.4 x 29.8 in.)

# Lexmark CX930, CX931, MX931, XC9325, XC9335



**Printer options, maximum configurations, part numbers, and dimensions**

	Option	Placement		Part number	Dimensions (height, width, and depth)
		Floor	Spacer		
<b>1</b>	Staple finisher <sup>1</sup>	1	N/A	32D0820	238.76 x 477.52 x 459.74 mm (9.4 x 18.8 x 18.1 in.)
<b>2</b>	Dual catch bin	1	N/A	32D0818	121.92 x 447.04 x 378.46 mm (4.8 x 17.6 x 14.9 in.)
<b>3</b>	Staple, hole punch finisher <sup>2,3</sup>	1	N/A	32D0821 (2/3 hole punch)	982.98 x 952.5 x 652.78 mm (38.7 x 37.9 x 25.7 in.)
				32D0822 (2/4 hole punch)	
				32D0827 (Swedish punch)	
<b>4</b>	Envelope tray	1	1	32D0804	86.36 x 683.26 x 660.4 mm (3.4 x 26.9 x 26.1 in.)
<b>5</b>	520-sheet tray with cabinet <sup>4</sup>	1	1	32D0801	381 x 614.68 x 619.76 mm (15 x 24.2 x 24.4 in.)
<b>6</b>	2520-sheet tandem tray <sup>5</sup>	1	N/A	32D0803	381 x 614.68 x 619.76 mm (15 x 24.2 x 4.4 in.)
<b>7</b>	3 x 520-sheet tray <sup>5</sup>	1	1	32D0802	381 x 614.68 x 619.76 mm (15 x 24.2 x 24.4 in.)

<sup>1</sup> Not supported when another finisher is installed.

<sup>2</sup> Requires placing the printer on top of the 520-sheet tray with cabinet, 2520-sheet tandem tray, or 3 x 520-sheet tray.

<sup>3</sup> Comes with a paper transport.

<sup>4</sup> Cannot be installed with any other input options.

<sup>5</sup> Cannot be installed with any other input options except the 2000-sheet tray.

<sup>6</sup> Cannot be installed with the 520-sheet tray with cabinet.

	Option	Placement		Part number	Dimensions (height, width, and depth)
		Floor	Spacer		
<b>8</b>	520-sheet tray <sup>4</sup>	1	1	32D0800	134.62 x 541.02 x 586.74 mm (5.3 x 21.3 x 23.1 in.)
<b>9</b>	2000-sheet tray <sup>6</sup>	1	N/A	32D0810	304.8 x 668.02 x 718.82 mm (12 x 26.3 x 28.3 in.)
<b>10</b>	Working shelf	1	1	32D0808	58.42 x 302.26 x 485.14 mm (2.3 x 11.9 x 19.1 in.)

<sup>1</sup> Not supported when another finisher is installed.

<sup>2</sup> Requires placing the printer on top of the 520-sheet tray with cabinet, 2520-sheet tandem tray, or 3 x 520-sheet tray.

<sup>3</sup> Comes with a paper transport.

<sup>4</sup> Cannot be installed with any other input options.

<sup>5</sup> Cannot be installed with any other input options except the 2000-sheet tray.

<sup>6</sup> Cannot be installed with the 520-sheet tray with cabinet.

Printer model	Dimensions (height, width, and depth)
CX930, CX931dse, MX931, XC9325, XC9335	767.08 x 589.28 x 701.04 mm (30.2 x 23.2 x 27.6 in.)
CX931dtse	1120.14 x 589.28 x 701.04 mm (44.1 x 23.2 x 27.6 in.)

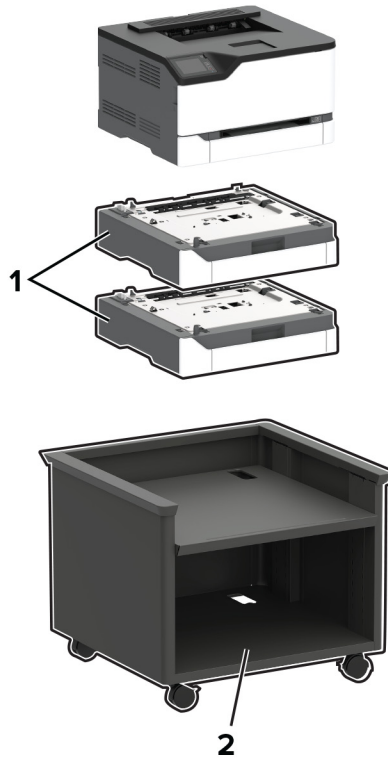
## Lexmark B3340, B3442, M1342, MS331, MS431, MS439



### Printer options, maximum configurations, part numbers, and dimensions

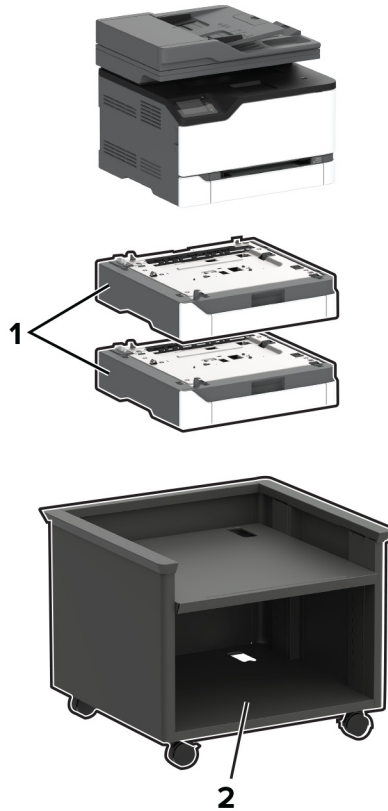
	Option	Placement				Part number	Dimensions (height, width, and depth)
		Table or desktop	Floor	Adjustable printer stand	Swivel cabinet		
1	550-sheet tray	1	1	1	1	29S0600	107 x 368 x 378 mm (4.2 x 14.5 x 14.9 in.)
2	Adjustable printer stand	N/A	1	N/A	N/A	35S8502	584 x 597 x 597 mm (23 x 23.5 x 23.5 in.)
3	Swivel cabinet	1	1	N/A	N/A	3073173	263 x 476 x 600 mm (10.4 x 18.7 x 23.6 in.)
Printer model		Dimensions (height, width, and depth)					
All models		222 x 368 x 363 mm (8.7 x 14.5 x 14.3 in.)					

## Lexmark C2326, C3224, C3326, C3426, CS331, CS431, CS439



	Option	Placement			Part number	Dimensions (height, width, and depth)
		Table or desktop	Floor	Adjustable printer stand		
<b>1</b>	250-sheet tray	2	2	2	40N4250	103.9 x 411.2 x 381 mm (4.1 x 16.2 x 15 in.)
<b>2</b>	Adjustable printer stand	N/A	1	N/A	40C2300	520.7 x 652.78 x 624.84 mm (20.5 x 25.7 x 24.6 in.)
Printer model		Dimensions (height, width, and depth)				
All models		243.7 x 411.2 x 394.1 mm (9.6 x 16.2 x 15.5 in.)				

## Lexmark CX331, CX431, MC3224, MC3326, MC3426, XC2326

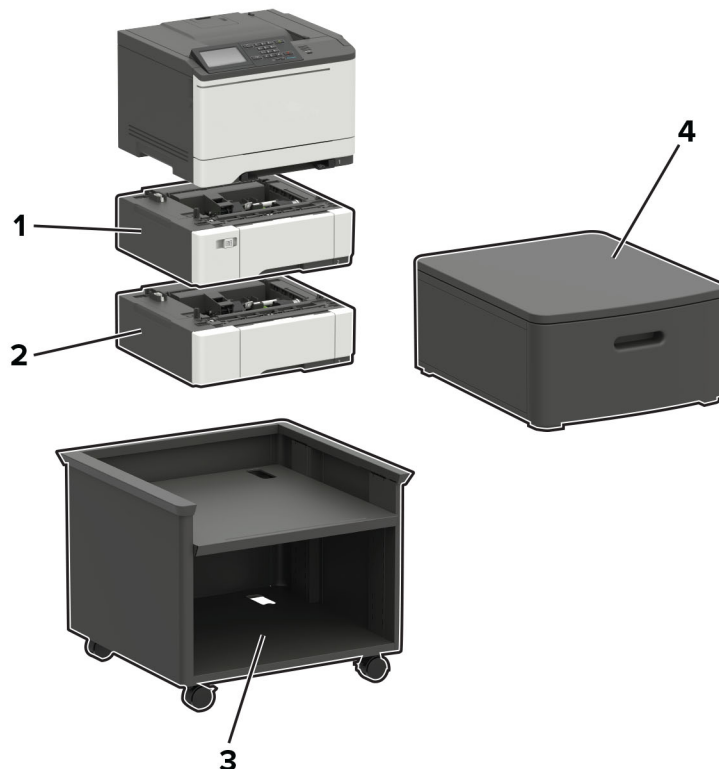


	Option	Placement			Part number	Dimensions (height, width, and depth)
		Table or desktop	Floor	Adjustable printer stand		
<b>1</b>	250-sheet tray	2	2	2	40N4250	103.9 x 411.2 x 381 mm (4.1 x 16.2 x 15 in.)
<b>2</b>	Adjustable printer stand	N/A	1	N/A	40C2300	520.7 x 652.78 x 624.84 mm (20.5 x 25.7 x 24.6 in.)

Printer model	Dimensions (height, width, and depth)
All models	344.4 x 411.2 x 394.1 mm (13.6 x 16.2 x 15.5 in.)



## Lexmark C2240, C2325, C2425, C2535, CS421, CS521, CS622



	Option	Placement				Part number	Dimensions (height, width, and depth)
		Table or desktop	Floor	Adjustable printer stand	Swivel cabinet		
<b>1</b>	650-sheet duo tray <sup>1,2</sup>	1	1	1	1	42C7650	133 x 424 x 416 mm (5.2 x 16.7 x 16.4 in.)
<b>2</b>	550-sheet tray <sup>3,4</sup>	1	1	1	1	42C7550	133 x 424 x 416 mm (5.2 x 16.7 x 16.4 in.)

<sup>1</sup> Not supported in C2325.

<sup>2</sup> When installed with the 550-sheet tray, place this tray below the printer. The combination of a 650-sheet duo tray and a 550-sheet tray is supported only in C2240, C2535, CS521, and CS622.

<sup>3</sup> When installed with the 650-sheet duo tray, place this tray at the bottom of the configuration.

<sup>4</sup> Not supported in C2325, C2425, and CS421.

<sup>5</sup> For more information on supported configurations, see [“Adjustable printer stand 40C2300” on page 98.](#)

	Option	Placement				Part number	Dimensions (height, width, and depth)
		Table or desktop	Floor	Adjustable printer stand	Swivel cabinet		
<b>3</b>	Adjustable printer stand <sup>5</sup>	N/A	1	N/A	N/A	40C2300	521 x 653 x 625 mm (20.5 x 25.7 x 24.6 in.)
<b>4</b>	Swivel cabinet	1	1	N/A	N/A	3073173	263 x 476 x 600 mm (10.4 x 18.7 x 23.6 in.)

<sup>1</sup> Not supported in C2325.

<sup>2</sup> When installed with the 550-sheet tray, place this tray below the printer. The combination of a 650-sheet duo tray and a 550-sheet tray is supported only in C2240, C2535, CS521, and CS622.

<sup>3</sup> When installed with the 650-sheet duo tray, place this tray at the bottom of the configuration.

<sup>4</sup> Not supported in C2325, C2425, and CS421.

<sup>5</sup> For more information on supported configurations, see [“Adjustable printer stand 40C2300” on page 98](#).

Printer model	Dimensions (height, width, and depth)
All models	308 x 442 x 421 mm (12.1 x 17.4 x 16.6 in.)

## Lexmark CX421, CX522, CX622, CX625, MC2325, MC2425, MC2535, MC2640, XC2235, XC4240



	Option	Placement				Part number	Dimensions (height, width, and depth)
		Table or desktop	Floor	Adjustable printer stand	Swivel cabinet		
<b>1</b>	650-sheet duo tray <sup>1,2</sup>	1	1	1	1	42C7650	133 x 424 x 416 mm (5.2 x 16.7 x 16.4 in.)

<sup>1</sup> Not supported in MC2325.

<sup>2</sup> When installed with the 550-sheet tray, place this tray below the printer. The combination of a 650-sheet duo tray and a 550-sheet tray is supported only in CX522, CX622, CX625, MC2535, MC2640, XC2235, and XC4240.

<sup>3</sup> When installed with the 650-sheet duo tray, place this tray at the bottom of the configuration.

<sup>4</sup> Not supported in CX421 and MC2425.

<sup>5</sup> For more information on supported configurations, see [“Adjustable printer stand 40C2300” on page 98.](#)

	Option	Placement				Part number	Dimensions (height, width, and depth)
		Table or desktop	Floor	Adjustable printer stand	Swivel cabinet		
<b>2</b>	550-sheet tray <sup>3,4</sup>	1	1	1	1	42C7550	133 x 424 x 416 mm (5.2 x 16.7 x 16.4 in.)
<b>3</b>	Adjustable printer stand <sup>5</sup>	N/A	1	N/A	N/A	40C2300	521 x 653 x 625 mm (20.5 x 25.7 x 24.6 in.)
<b>4</b>	Swivel cabinet	1	1	N/A	N/A	3073173	263 x 476 x 600 mm (10.4 x 18.7 x 23.6 in.)

<sup>1</sup> Not supported in MC2325.

<sup>2</sup> When installed with the 550-sheet tray, place this tray below the printer. The combination of a 650-sheet duo tray and a 550-sheet tray is supported only in CX522, CX622, CX625, MC2535, MC2640, XC2235, and XC4240.

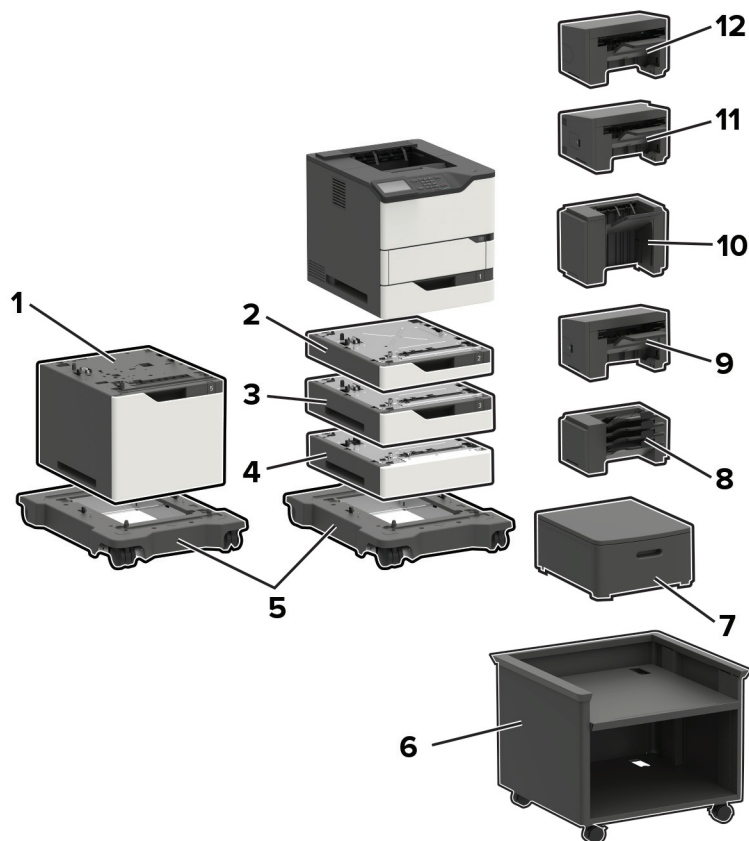
<sup>3</sup> When installed with the 650-sheet duo tray, place this tray at the bottom of the configuration.

<sup>4</sup> Not supported in CX421 and MC2425.

<sup>5</sup> For more information on supported configurations, see [“Adjustable printer stand 40C2300” on page 98](#).

Printer model	Dimensions (height, width, and depth)
CX421, MC2325, MC2425	462 x 442 x 556 mm (18.2 x 17.4 x 21.9 in.)
MC2535, MC2640, CX522, CX622, XC2235	462 x 442 x 588 mm (18.2 x 17.4 x 23.1 in.)
CX625, XC4240	462 x 442 x 608 mm (18.2 x 17.4 x 23.9 in.)

## Lexmark B2865, M5255, M5270, MS725, MS821, MS822, MS823, MS825, MS826



	Option	Part number	Dimensions (height, width, and depth)
<b>1</b>	2100-sheet tray	50G0804	350 x 428 x 510 mm (13.8 x 16.8 x 20.1 in.)
<b>2</b>	250-sheet tray	50G0800	80 x 428 x 510 mm (3.2 x 16.8 x 20.1 in.)
	250-sheet lockable tray	50G0820	
<b>3</b>	550-sheet tray	50G0802	110 x 428 x 510 mm (4.3 x 16.8 x 20.1 in.)
	550-sheet lockable tray	50G0822	
<b>4</b>	Spacer	50G0854	110 x 428 x 510 mm (4.3 x 16.8 x 20.1 in.)
<b>5</b>	Caster base	50G0855	126 x 521 x 693 mm (5 x 20.5 x 27.3 in.)
<b>6</b>	Adjustable printer stand	40C2300	520.7 x 652.78 x 624.84 mm (20.5 x 25.7 x 24.6 in.)

	Option	Part number	Dimensions (height, width, and depth)
<b>7</b>	Swivel cabinet	3073173	263 x 476 x 600 mm (10.4 x 18.7 x 23.6 in.)
<b>8</b>	4-bin mailbox	50G0852	272 x 421 x 384 mm (10.7 x 16.6 x 15.1 in.)
<b>9</b>	Output expander	50G0851	165 x 421 x 380 mm (6.5 x 16.6 x 15 in.)
<b>10</b>	High capacity output expander	50G0853	310 x 421 x 335 mm (12.2 x 16.6 x 13.2 in.)
<b>11</b>	Staple, hole punch finisher	50G0849	263 x 462 x 507 mm (10.3 x 18.2 x 20 in.)
<b>12</b>	Staple finisher	50G0850	246 x 435 x 414 mm (9.7 x 17.1 x 16.3 in.)

### Printer input options, furniture, maximum configurations, and placement

Option	Placement				
	Table or desktop	Swivel cabinet	Floor	Caster base <sup>3, 5,</sup>	Adjustable printer stand <sup>3, 6</sup>
250-sheet tray <sup>1, 2, 3</sup>	4	4	4	4	4
250-sheet lockable tray <sup>1, 2, 3</sup>					
550-sheet tray <sup>1, 2, 3</sup>				3	3
550-sheet lockable tray <sup>1, 2, 3</sup>					
Spacer <sup>4</sup>					
2100-sheet tray <sup>2, 5</sup>	N/A	N/A	N/A	1	N/A

<sup>1</sup> Can be installed with other optional trays in any order except the 2100-sheet tray.

<sup>2</sup> Only three optional 250- or 550-sheet trays can be used when installing the 2100-sheet tray. Place the 2100-sheet tray at the bottom of the configuration.

<sup>3</sup> When placing the configuration on the caster base or adjustable printer stand, follow these maximum configuration instructions. If using three optional 550-sheet trays or spacers, no optional 250-sheet tray can be used. If using two 550-sheet trays or spacers, only one 250-sheet tray can be used. If using one 550-sheet tray or spacer, up to three 250-sheet trays can be used.

<sup>4</sup> When using a spacer, install it first, and then install any optional trays above it. Do not install the spacer with the 2100-sheet tray.

<sup>5</sup> The 2100-sheet tray requires the use of the caster base.

<sup>6</sup> For more information on supported configurations, see [“Adjustable printer stand 40C2300” on page 98.](#)

**Printer output options, maximum configurations, and placement**

Option	Placement				
	Table or desktop	Swivel cabinet	Floor	Caster base	Adjustable printer stand
4-bin mailbox <sup>1, 4</sup>	3	3	3	3	3
Output expander <sup>1, 2, 4</sup>					
High capacity output expander <sup>2, 3</sup>	1	1	1	1	1
Staple finisher <sup>5</sup>	1	1	1	1	1
Staple, hole punch finisher <sup>6</sup>	1	1	1	1	1

<sup>1</sup> The 4-bin mailboxes and output expanders can be installed in any order.

<sup>2</sup> A single output expander is the only option that can be placed on top of the high capacity output expander.

<sup>3</sup> No other output option may be installed below the high capacity output expander.

<sup>4</sup> When used with a staple finisher, place this option below it.

<sup>5</sup> The staple finisher is always on top of the configuration. An extra 4-bin mailbox or output expander may be installed below it.

<sup>6</sup> Do not use the staple, hole punch finisher with any other output options.

Printer model	Dimensions (height, width, and depth)
B2865, MS725, MS821, MS823, MS825	445 x 428 x 510 mm (17.5 x 16.85 x 20.1 in.)
M5255, M5270, MS822, MS826	441 x 428 x 510 mm (17.4 x 16.85 x 20.1 in.)

**Maximum  
floor, table,  
or desktop configuration**



**Maximum  
swivel cabinet  
configuration**



**Maximum  
adjustable  
printer stand  
configuration**



**Maximum  
caster base  
configuration**





**Maximum  
4-bin mailbox  
configuration**



**Maximum  
high capacity  
output expander  
configuration**



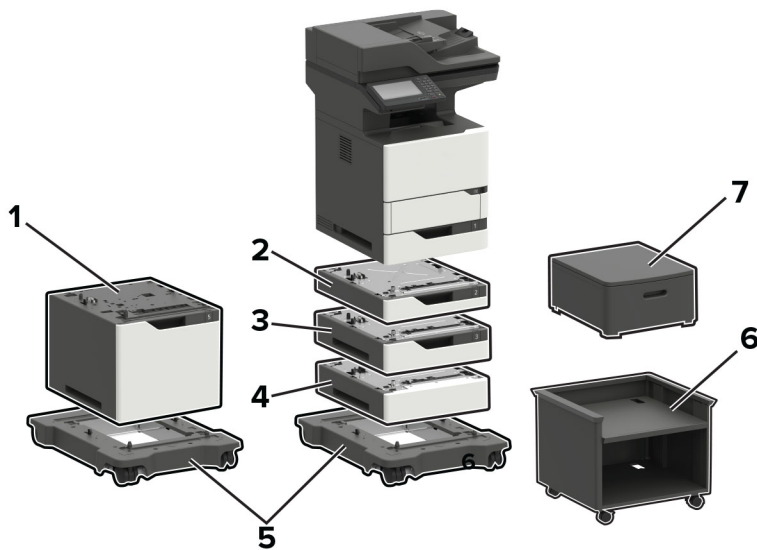
**Maximum staple,  
hole punch  
finisher  
configuration**



**Maximum  
staple finisher  
configuration**



**Lexmark MB2770, MX721, MX722, MX725, XM5365,  
XM5370**



	Option	Part number	Dimensions (height, width, and depth)
<b>1</b>	2100-sheet tray	50G0804	350 x 428 x 510 mm (13.8 x 16.8 x 20.1 in.)
<b>2</b>	250-sheet tray	50G0800	80 x 428 x 510 mm (3.2 x 16.8 x 20.1 in.)
	250-sheet lockable tray	50G0820	
<b>3</b>	550-sheet tray	50G0802	110 x 428 x 510 mm (4.3 x 16.8 x 20.1 in.)
	550-sheet lockable tray	50G0822	
<b>4</b>	Spacer	50G0854	110 x 428 x 510 mm (4.3 x 16.8 x 20.1 in.)
<b>5</b>	Caster base	50G0855	126 x 521 x 693 mm (5 x 20.5 x 27.3 in.)
<b>6</b>	Adjustable printer stand	40C2300	520.7 x 652.78 x 624.84 mm (20.5 x 25.7 x 24.6 in.)
<b>7</b>	Swivel cabinet	3073173	263 x 476 x 600 mm (10.4 x 18.7 x 23.6 in.)

**Printer input options, maximum configurations, and placement**

Option	Placement				
	Table or desktop	Swivel cabinet	Floor <sup>3</sup>	Caster base <sup>4, 6</sup>	Adjustable printer stand <sup>4</sup>
250-sheet tray <sup>1, 2, 3, 4</sup>	3	3	2	3	3
250-sheet lockable tray <sup>1, 2, 3, 4</sup>					
550-sheet tray <sup>1, 2, 3, 4</sup>			2		
550-sheet lockable tray <sup>1, 2, 3, 4</sup>					
Spacer <sup>5</sup>					
2100-sheet tray <sup>2, 6</sup>	N/A	N/A	N/A	1	N/A
Caster base <sup>4, 6</sup>	N/A	N/A	1	N/A	N/A
Adjustable printer stand <sup>4, 7</sup>	N/A	N/A	1	N/A	N/A
Swivel cabinet	1	N/A	1	N/A	N/A

<sup>1</sup> Can be installed with other optional trays in any order except the 2100-sheet tray.

<sup>2</sup> Only one optional 250- or 550-sheet tray can be used when installing the 2100-sheet tray. Place the 2100-sheet tray at the bottom of the configuration.

<sup>3</sup> When placing the configuration on the floor, only one optional 250-sheet tray can be used with one optional 550-sheet tray or spacer.

<sup>4</sup> When placing the configuration on the caster base or adjustable printer stand, follow these maximum configuration instructions. If using three optional 550-sheet trays or spacers, a 250-sheet tray cannot be used. If using two 550-sheet trays or spacers, only one 250-sheet tray can be used. If using one 550-sheet tray or spacer, two 250-sheet trays can be used.

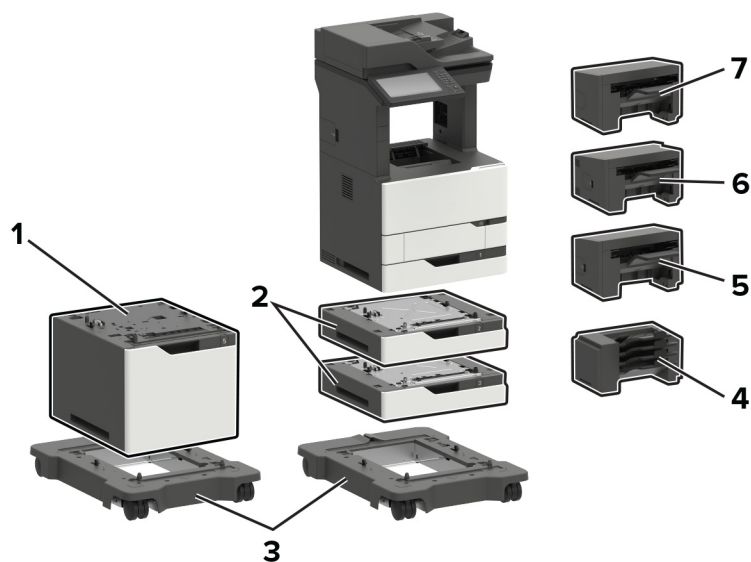
<sup>5</sup> When using a spacer, install it first, and then install any optional trays above it. Do not install the spacer with the 2100-sheet tray.

<sup>6</sup> The 2100-sheet tray requires the use of the caster base.

<sup>7</sup> For more information on supported configurations, see [“Adjustable printer stand 40C2300” on page 98](#).

Printer model	Dimensions (height, width, and depth)
All models	739.1 x 558.8 x 578.4 mm (29.1 x 22.0 x 22.8 in.)

## Lexmark MX822, MX826, XM7355, XM7370



### Printer options, maximum configurations, part numbers, and dimensions

	Option	Placement			Part number	Dimensions (height, width, and depth)
		Table or desktop	Floor	Caster base <sup>2</sup>		
<b>1</b>	2100-sheet tray <sup>1,2</sup>	N/A	N/A	1	25B2950	355 x 559 x 508 mm (14 x 22 x 20 in.)
<b>2</b>	550-sheet tray	2	2	2	25B2900	111 x 559 x 508 mm (4.3 x 22 x 20 in.)
<b>3</b>	Caster base	N/A	1	N/A	25B2910	106.7 x 685.8 x 693.4 mm (4.2 x 27 x 27.3 in.)
<b>4</b>	4-bin mailbox <sup>3</sup>	1	1	1	50G0852	272 x 421 x 384 mm (10.7 x 16.6 x 15.1 in.)

<sup>1</sup> Only two 550-sheet trays can be used with the 2100-sheet tray. Place the 2100-sheet tray at the bottom of the configuration.

<sup>2</sup> The 2100-sheet tray requires a caster base.

<sup>3</sup> Cannot be configured with any other type of finisher.

	Option	Placement			Part number	Dimensions (height, width, and depth)
		Table or desktop	Floor	Caster base <sup>2</sup>		
<b>5</b>	Staple finisher <sup>3</sup>	1	1	1	50G0850	246 x 435 x 414 mm (9.7 x 17.1 x 16.3 in.)
<b>6</b>	Staple, hole punch finisher <sup>3</sup>	1	1	1	50G0849	263 x 462 x 507 mm (10.3 x 18.2 x 20 in.)
<b>7</b>	Offset stacker <sup>3</sup>	1	1	1	25B2999	246 x 435 x 414 mm (9.7 x 17.1 x 16.3 in.)

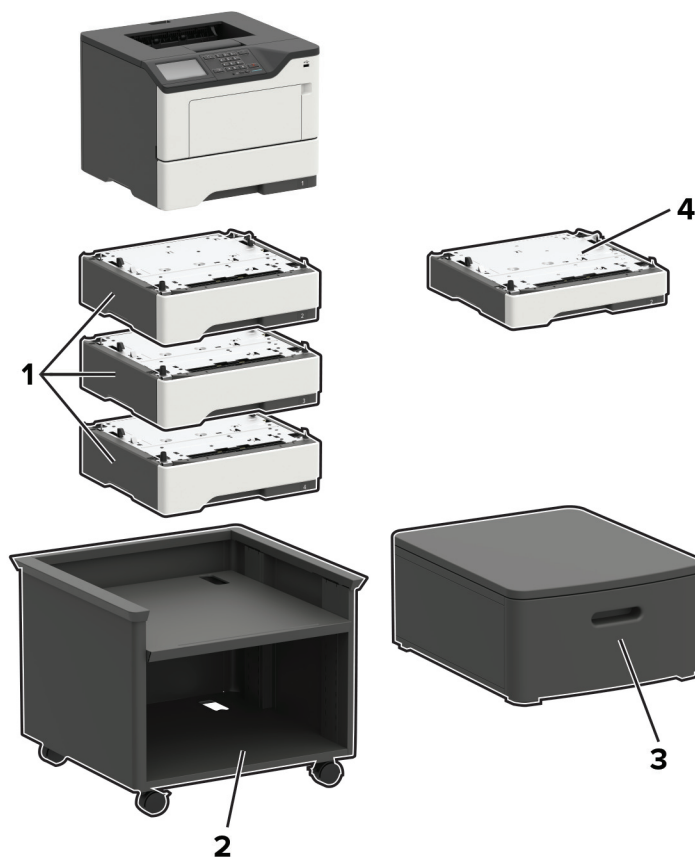
<sup>1</sup> Only two 550-sheet trays can be used with the 2100-sheet tray. Place the 2100-sheet tray at the bottom of the configuration.

<sup>2</sup> The 2100-sheet tray requires a caster base.

<sup>3</sup> Cannot be configured with any other type of finisher.

Printer model	Dimensions (height, width, and depth)
MX822ade, MX826ade, XM7355, XM7355b, XM7370	1150.6 x 685.8 x 693.4 mm (45.3 x 27 x 27.3 in.)
MX822adtfe, MX826adtfe	1259.8 x 685.8 x 693.4 mm (49.6 x 27 x 27.3 in.)
MX822adxe, MX826adxe	1391.9 x 685.8 x 693.4 mm (54.8 x 27 x 27.3 in.)

## Lexmark B2338, B2442, B2546, B2650, M1242, M1246, M3250, MS321, MS421, MS521, MS621, MS622



### Printer options, maximum configurations, part numbers, and dimensions

Option	Placement				Part number	Dimensions (height, width, and depth)
	Table or desktop	Floor	Adjustable printer stand	Swivel cabinet		
<b>1</b> 550-sheet tray <sup>1,2</sup>	3	3	3	3	36S3110	126 x 389 x 374 mm (5 x 15.7 x 14.7 in.)
<b>2</b> Adjustable printer stand	N/A	1	N/A	N/A	35S8502	584 x 597 x 597 mm (23 x 23.5 x 23.5 in.)
<b>3</b> Swivel cabinet	1	1	N/A	N/A	3073173	263 x 476 x 600 mm (10.4 x 18.7 x 23.6 in.)

<sup>1</sup> Can be installed with other optional trays in any order.

<sup>2</sup> Only one optional tray can be configured with B2338, B2442, M1242, MS321, and MS421.

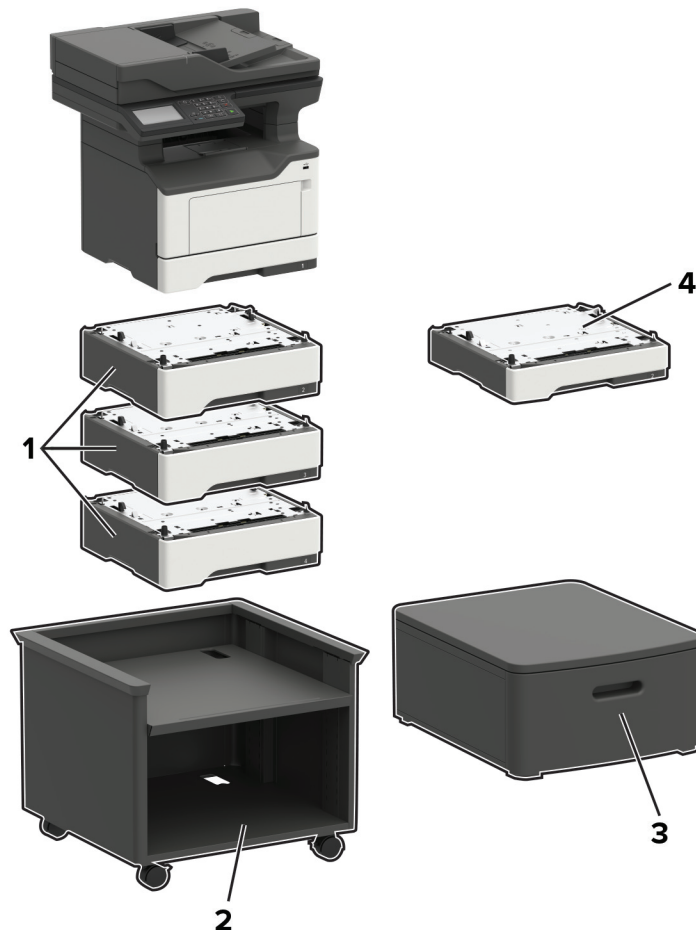
Option	Placement				Part number	Dimensions (height, width, and depth)
	Table or desktop	Floor	Adjustable printer stand	Swivel cabinet		
<b>4</b> 250-sheet tray <sup>1, 2</sup>	3	3	3	3	36S2910	95 x 389 x 374 mm (3.7 x 15.7 x 14.7 in.)

<sup>1</sup> Can be installed with other optional trays in any order.

<sup>2</sup> Only one optional tray can be configured with B2338, B2442, M1242, MS321, and MS421.

Printer model	Dimensions (height, width, and depth)
B2338, B2442, B2546, M1242, M1246, MS321, MS421, MS521	260 x 399 x 374 mm (10.2 x 15.7 x 14.7 in.)
B2650, M3250, MS621, MS622	303 x 399 x 374 mm (11.9 x 15.7 x 14.7 in.)

## Lexmark MB2338, MB2442, MB2546, MX321, MX421, MX521, MX522, XM1242, XM1246



**Printer options, maximum configurations, part numbers, and dimensions**

	Option	Placement				Part number	Dimensions (height, width, and depth)
		Table or desktop	Floor	Adjustable printer stand	Swivel cabinet		
<b>1</b>	550-sheet tray <sup>1, 2</sup>	3	3	3	3	36S3110	126 x 389 x 374 mm (5 x 15.7 x 14.7 in.)
<b>2</b>	Adjustable printer stand	N/A	1	N/A	N/A	35S8502	584 x 597 x 597 mm (23 x 23.5 x 23.5 in.)
<b>3</b>	Swivel cabinet	1	1	N/A	N/A	3073173	263 x 476 x 600 mm (10.4 x 18.7 x 23.6 in.)
<b>4</b>	250-sheet tray <sup>1, 2</sup>	3	3	3	3	36S2910	95 x 389 x 374 mm (3.7 x 15.7 x 14.7 in.)

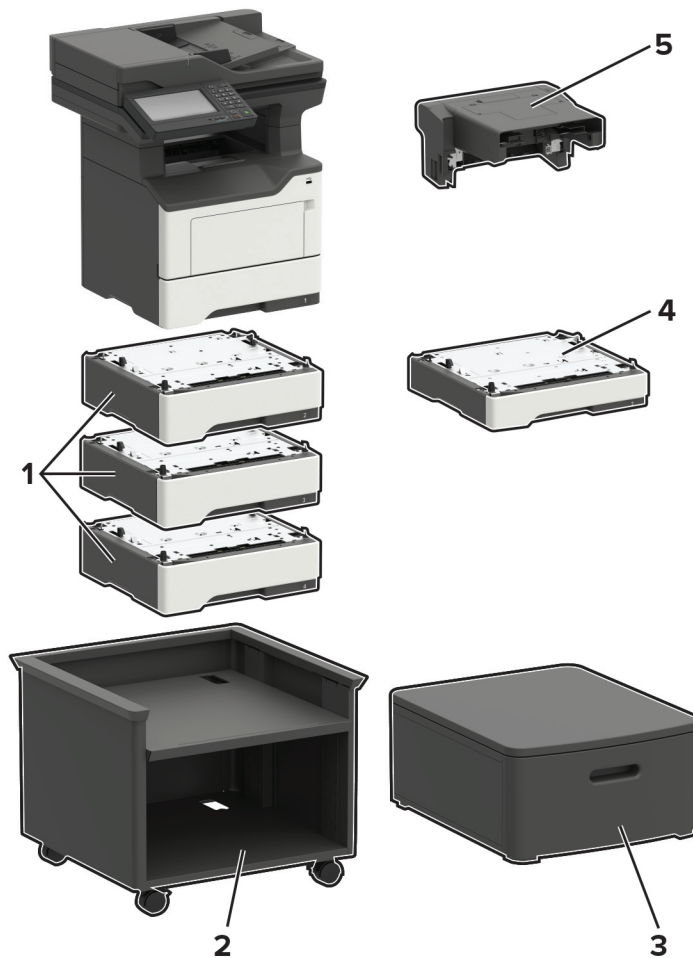
<sup>1</sup> Can be installed with other optional trays in any order.

<sup>2</sup> Only one optional tray can be configured with MB2338, MB2442, MX321, MX421, and XM1242.

Printer model	Dimensions (height, width, and depth)
MB2338, MB2442, MX321, MX421, XM1242	467 x 399 x 429.5 mm (18.4 x 15.7 x 16.9 in.)
MB2546, MX521, MX522, XM1246	477 x 489 x 429.5 mm (18.8 x 19.3 x 16.9 in.)



## Lexmark MB2650, MX622, XM3250



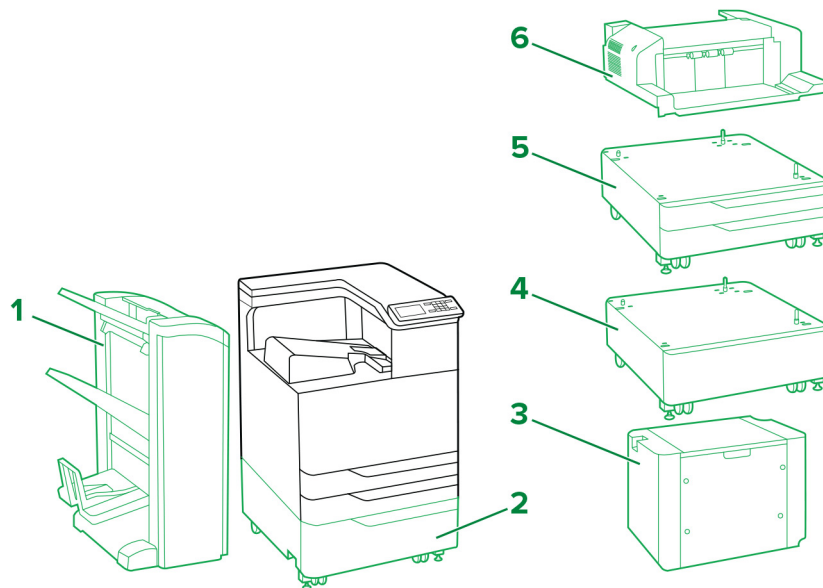
		Placement				Part number	Dimensions (height, width, and depth)
		Table or desktop	Floor	Adjustable printer stand	Swivel cabinet		
<b>1</b>	550-sheet tray*	3	3	3	3	36S3110	126 x 389 x 374 mm (5 x 15.7 x 14.7 in.)
<b>2</b>	Adjustable printer stand	N/A	1	N/A	N/A	35S8502	584 x 597 x 597 mm (23 x 23.5 x 23.5 in.)
<b>3</b>	Swivel cabinet	1	1	N/A	N/A	3073173	263 x 476 x 600 mm (10.4 x 18.7 x 23.6 in.)
<b>4</b>	250-sheet tray*	3	3	3	3	36S2910	95 x 389 x 374 mm (3.7 x 15.7 x 14.7 in.)

\* Can be installed with other optional trays in any order.

		Placement				Part number	Dimensions (height, width, and depth)
		Table or desktop	Floor	Adjustable printer stand	Swivel cabinet		
<b>5</b>	Inline stapler	1	1	1	1	36S8010	195 x 409 x 371 mm (7.7 x 16.1 x 14.6 in.)
* Can be installed with other optional trays in any order.							

Printer model	Dimensions (height, width, and depth)
All models	545 x 489 x 476.5 mm (21.5 x 19.3 x 18.8 in.)

## Lexmark C9235, CS921, CS923, CS927



Legend:  – Standard  – Optional

**Printer options, maximum configurations, part numbers, and dimensions**

	Option	Placement		Part number	Dimensions (height, width, and depth)
		Floor	Cabinet		
<b>1</b>	Staple, hole punch finisher <sup>1,2</sup>	1	N/A	26Z0080 (4-hole) 26Z0081 (3-hole)	1065.02 x 641.10 x 658.11 mm (41.93 x 25.24 x 25.91 in.)
	Booklet finisher <sup>1,2</sup>	1	N/A	26Z0082 (4-hole) 26Z0083 (3-hole)	1065.02 x 641.10 x 658.11 mm (41.93 x 25.24 x 25.91 in.)
<b>2</b>	2500-sheet tray	1	N/A	32C0051 (Letter) 32C0052 (A4)	304.04 x 614.93 x 653.03 mm (11.97 x 24.21 x 25.71 in.)
<b>3</b>	3000-sheet tray <sup>3</sup>	1	N/A	26Z0088 (Letter) 26Z0089 (A4)	404.88 x 367.03 x 528.07 mm (15.94 x 14.45 x 20.79 in.)
<b>4</b>	Cabinet	1	N/A	32C0053	254 x 614.93 x 651.76 mm (10 x 24.21 x 25.66 in.)
<b>5</b>	2 x 500-sheet tray	1	N/A	32C0050	304.04 x 614.93 x 561.09 mm (11.97 x 24.21 x 22.09 in.)
<b>6</b>	Staple finisher <sup>4</sup>	1	1	26Z0084	195.07 x 472.95 x 583.95 mm (7.68 x 18.62 x 22.99 in.)

<sup>1</sup> Installing this option requires placing the printer on top of one 2500-sheet tray, one 2 x 500-sheet tray, or a cabinet.

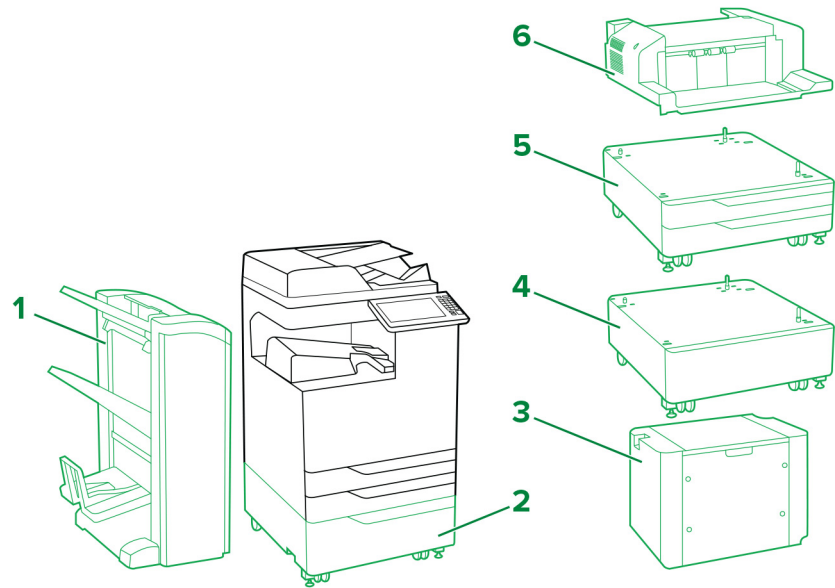
<sup>2</sup> This option comes with a horizontal paper transport.

<sup>3</sup> The 3000-sheet tray requires the use of one 2500-sheet tray or one 2 x 500-sheet tray.

<sup>4</sup> If another finisher is installed, then the staple finisher is not supported.

Printer model	Dimensions (height, width, and depth)
C9235, CS921, CS927	780 x 615 x 740 mm (30.7 x 24.2 x 29.1 in.)
CS923	780 x 615 x 770 mm (30.7 x 24.2 x 30.3 in.)

# Lexmark CX921, CX922, CX923, CX924, CX927, XC9235, XC9245, XC9255, XC9265



Legend:  – Standard  – Optional

**Printer options, maximum configurations, part numbers, and dimensions**

	Option	Placement		Part number	Dimensions (height, width, and depth)
		Floor	Cabinet		
<b>1</b>	Staple, hole punch finisher <sup>1,2</sup>	1	N/A	26Z0080 (4-hole) 26Z0081 (3-hole)	1065.02 x 641.10 x 658.11 mm (41.93 x 25.24 x 25.91 in.)
	Booklet finisher <sup>1,2</sup>	1	N/A	26Z0082 (4-hole) 26Z0083 (3-hole)	1065.02 x 641.10 x 658.11 mm (41.93 x 25.24 x 25.91 in.)
<b>2</b>	2500-sheet tray	1	N/A	32C0051 (Letter) 32C0052 (A4)	304.04 x 614.93 x 561.09 mm (11.97 x 24.21 x 25.71 in.)
<b>3</b>	3000-sheet tray <sup>3</sup>	1	N/A	26Z0088 (Letter) 26Z0089 (A4)	404.88 x 367.03 x 528.07 mm (15.94 x 14.45 x 20.79 in.)
<b>4</b>	Cabinet	1	N/A	32C0053	254 x 614.93 x 651.76 mm (10 x 24.21 x 25.66 in.)
<b>5</b>	2 x 500-sheet tray	1	N/A	32C0050	304.04 x 614.93 x 561.09 mm (11.97 x 24.21 x 22.09 in.)
<b>6</b>	Staple finisher <sup>4</sup>	1	1	26Z0084	195.07 x 472.95 x 583.95 mm (7.68 x 18.62 x 22.99 in.)

<sup>1</sup> Installing this option requires placing the printer on top of one 2500-sheet tray, one 2 x 500-sheet tray, or a cabinet.

<sup>2</sup> This option comes with a horizontal paper transport.

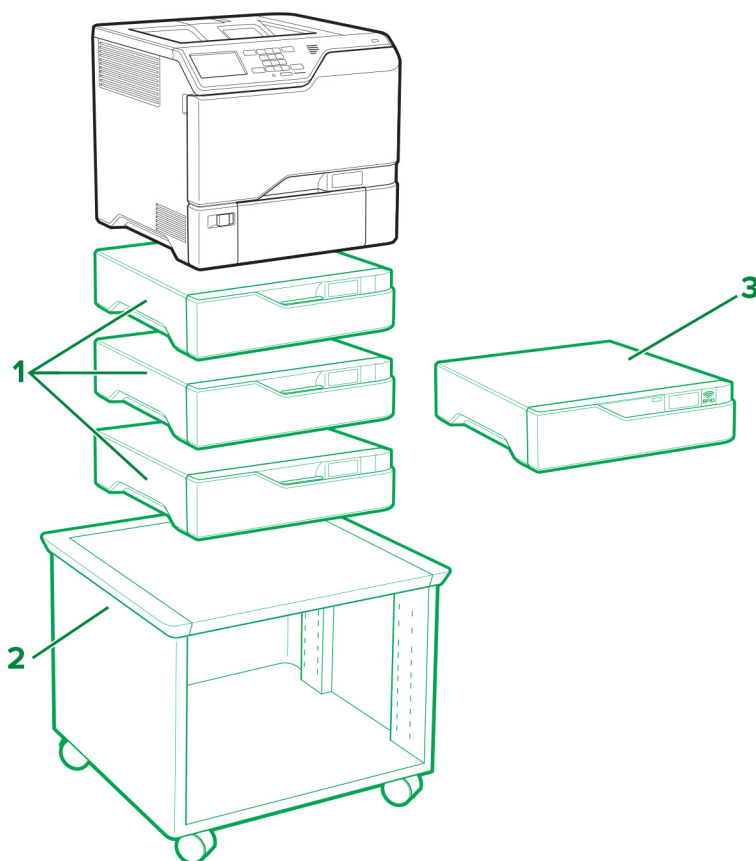
<sup>3</sup> The 3000-sheet tray requires the use of one 2500-sheet tray or one 2 x 500-sheet tray.

<sup>4</sup> If another finisher is installed, then the staple finisher is not supported.

Printer model	Dimensions (height, width, and depth)
CX921, XC9235	921 x 615 x 762 mm (36.3 x 24.2 x 30 in.)
CX922, XC9245	921 x 615 x 696 mm (36.3 x 24.2 x 27.4 in.)
CX923de, CX924de, XC9255, XC9265	921 x 615 x 792 mm (36.3 x 24.2 x 31.2 in.)

Printer model	Dimensions (height, width, and depth)
CX923dte, CX923dxe, CX924dte, CX924dxe	1225 x 615 x 792 mm (48.2 x 24.2 x 31.2 in.)

## Lexmark C4150, CS720, CS725, CS727, CS728



Legend:  – Standard  – Optional

### Printer options, maximum configurations, part numbers, and dimensions

Option	Option	Placement			Part number	Dimensions (height, width, and depth)
		Table or desktop	Floor	Adjustable printer stand		
1	550-sheet tray	3	3	3	40C2100	119 x 463 x 483 mm (4.7 x 18.23 x 19 in.)
2	Adjustable printer stand <sup>1</sup>	N/A	1	N/A	40C2300	521 x 653 x 625 mm (20.5 x 25.7 x 24.6 in.)

<sup>1</sup> For more information on supported configurations, see [“Adjustable printer stand 40C2300” on page 98.](#)

<sup>2</sup> Install the RFID option on top of an optional tray. You can use a maximum of two optional trays.

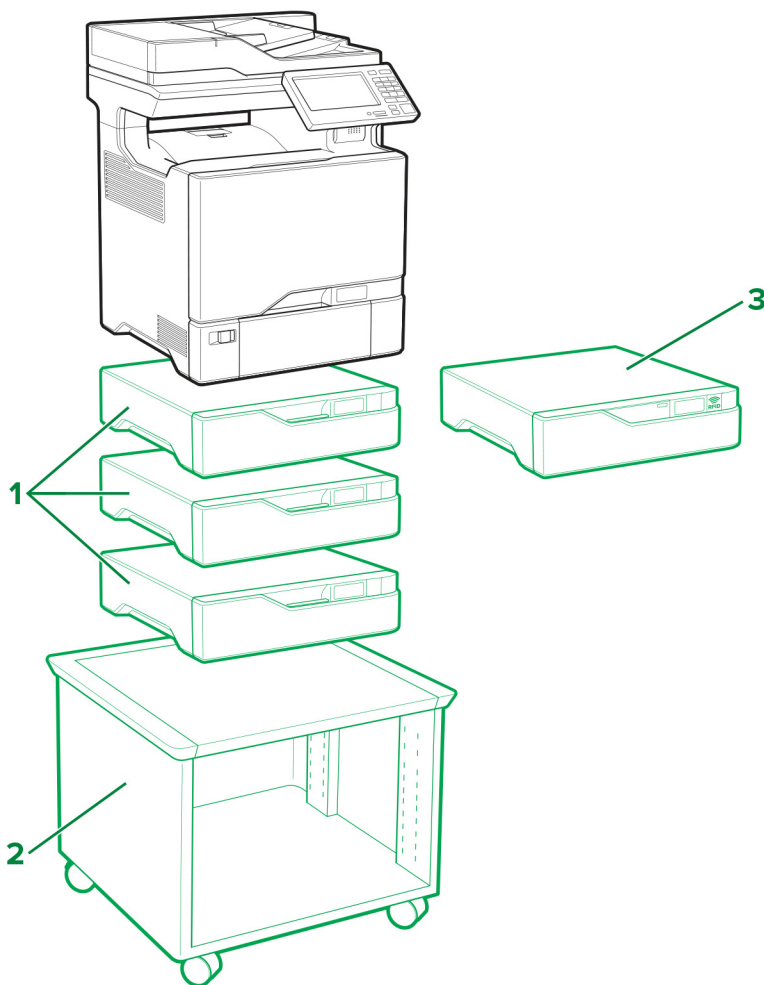
	Option	Placement			Part number	Dimensions (height, width, and depth)
		Table or desktop	Floor	Adjustable printer stand		
<b>3</b>	RFID option <sup>2</sup>	1	1	1	40C0745 (NA) 40C0747 (EU)	119 x 463 x 483 mm (4.7 x 18.23 x 19 in.)

<sup>1</sup> For more information on supported configurations, see [“Adjustable printer stand 40C2300” on page 98.](#)

<sup>2</sup> Install the RFID option on top of an optional tray. You can use a maximum of two optional trays.

Printer model	Dimensions (height, width, and depth)
C4150, CS720de, CS725de, CS727de, CS728de	417 x 475 x 499 mm (16.4 x 18.7 x 19.6 in.)
CS720dte, CS725dte	536 x 475 x 495 mm (21.1 x 18.7 x 19.4 in.)

## Lexmark CX725, CX727, XC4140, XC4143, XC4150, XC4153



Legend:  – Standard  – Optional

### Printer options, maximum configurations, part numbers, and dimensions

Option	Placement			Part number	Dimensions (height, width, and depth)
	Table or desktop	Floor	Adjustable printer stand		
1 550-sheet tray	3	3	3	40C2100	119 x 463 x 483 mm (4.7 x 18.23 x 19 in.)
2 Adjustable printer stand <sup>1</sup>	N/A	1	N/A	40C2300	521 x 653 x 625 mm (20.5 x 25.7 x 24.6 in.)

<sup>1</sup> For more information on supported configurations, see [“Adjustable printer stand 40C2300” on page 98.](#)

<sup>2</sup> Install the RFID option on top of an optional tray. You can use a maximum of two optional trays.



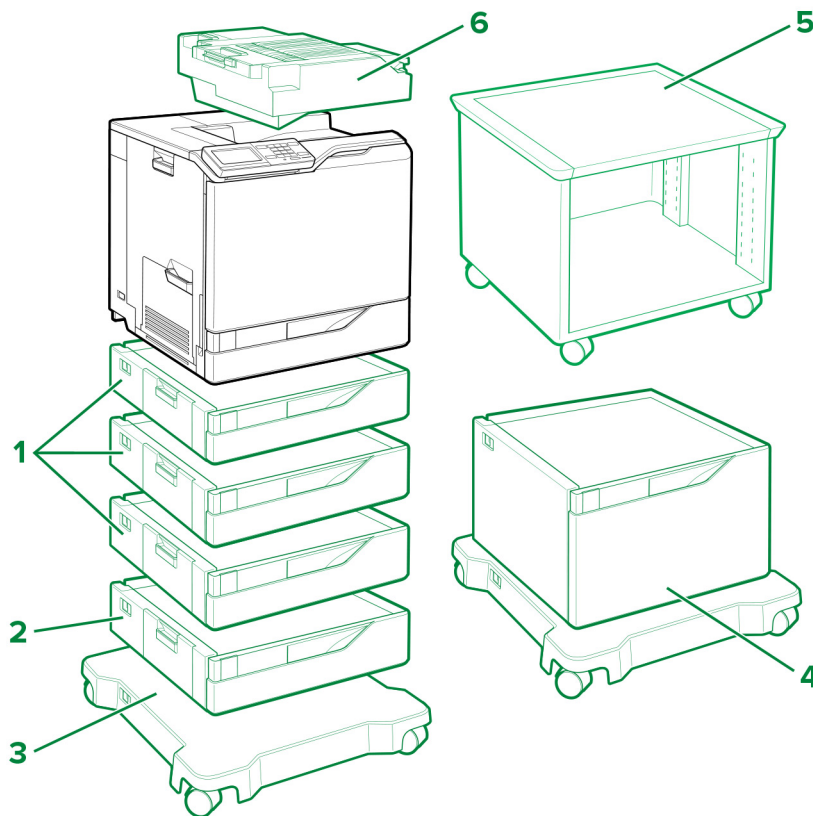
Option	Placement			Part number	Dimensions (height, width, and depth)
	Table or desktop	Floor	Adjustable printer stand		
<b>3</b> RFID option <sup>2</sup>	1	1	1	40C0745 (NA) 40C0747 (EU)	119 x 463 x 483 mm (4.7 x 18.23 x 19 in.)

<sup>1</sup> For more information on supported configurations, see [“Adjustable printer stand 40C2300” on page 98.](#)

<sup>2</sup> Install the RFID option on top of an optional tray. You can use a maximum of two optional trays.

Printer model	Dimensions (height, width, and depth)
CX725de/dhe, CX727de, XC4150, XC4153	648 x 505 x 533 mm (25.5 x 19.9 x 21 in.)
CX725dthe, XC4140, XC4143	767 x 505 x 533 mm (30.2 x 19.9 x 21 in.)

## Lexmark C6160, CS820, CS827



**Legend:**  – Standard  – Optional

**Printer options, maximum configurations, part numbers, and dimensions**

	Option	Placement				Part number	Dimensions (height, width, and depth)
		Table or desktop	Floor	Caster base	Adjustable printer stand		
<b>1</b>	550-sheet tray	4	4	4	1	21K0567	120 x 558.8 x 522.4 mm (4.7 x 22.0 x 20.6 in.)
<b>2</b>	Envelope tray <sup>1</sup>	1	1	1	N/A	21K0787	120 x 558.8 x 522.4 mm (4.7 x 22.0 x 20.6 in.)
<b>3</b>	Caster base	N/A	1	N/A	N/A	21K2501	108.5 x 662 x 658 mm (4.27 x 26.1 x 25.9 in.)
<b>4</b>	2200-sheet tray <sup>2</sup>	1	1	1	N/A	21K0237	359 x 558.8 x 522.4 mm (14.13 x 22.0 x 20.6 in.)
<b>5</b>	Adjustable printer stand <sup>3</sup>	N/A	1	N/A	N/A	40C2300	521 x 653 x 625 mm (20.5 x 25.7 x 24.6 in.)
<b>6</b>	Staple finisher	1	1	1	1	42K2000	140.2 x 530 x 475.4 mm (5.5 x 20.9 x 18.7 in.)

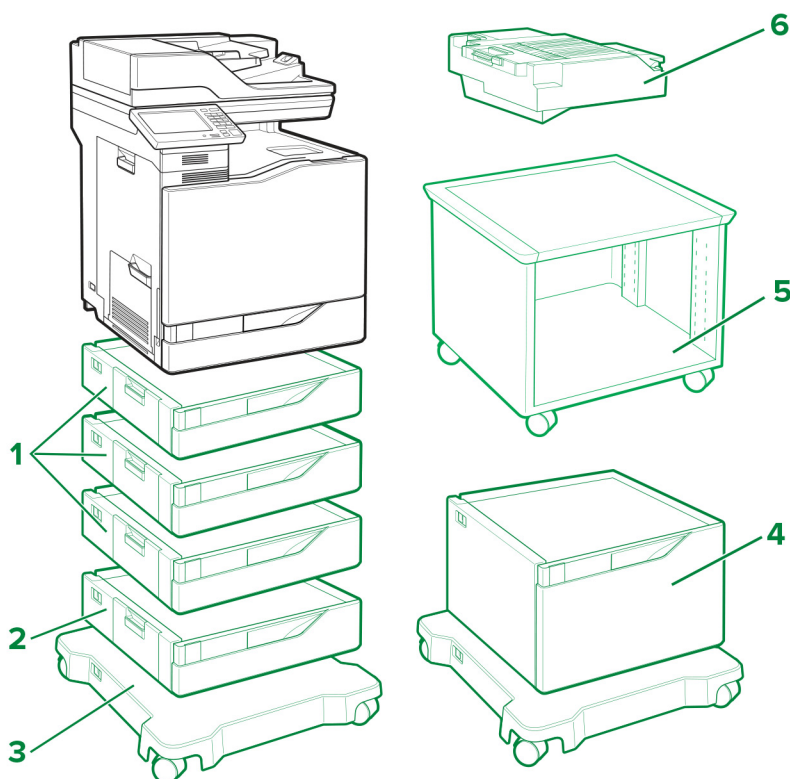
<sup>1</sup> This option must be installed as tray 3 in the configuration.

<sup>2</sup> Use a maximum of three optional 550-sheet trays when installing the 2200-sheet tray. Place the 2200-sheet tray at the bottom of the configuration.

<sup>3</sup> For more information on supported configurations, see [“Adjustable printer stand 40C2300” on page 98.](#)

Printer model	Dimensions (height, width, and depth)
C6160, CS820de, CS827de	535.94 x 558.8 x 522.4 mm (21.12 x 22 x 20.6 in.)
CS820dte	655 x 558.8 x 522.4 mm (25.8 x 22 x 20.6 in.)
CS820dtfe	690 x 646 x 522.4 mm (27.17 x 25.43 x 20.6 in.)

## Lexmark CX820, CX827, XC6152, XC6153



Legend:  – Standard  – Optional

### Printer options, maximum configurations, part numbers, and dimensions

	Option	Placement				Part number	Dimensions (height, width, and depth)
		Table or desktop	Floor	Caster base	Adjustable printer stand		
<b>1</b>	550-sheet tray	4	4	4	1	21K0567	120 x 558.8 x 522.4 mm (4.7 x 22.0 x 20.6 in.)
<b>2</b>	Envelope tray <sup>1</sup>	1	1	1	N/A	21K0787	120 x 558.8 x 522.4 mm (4.7 x 22.0 x 20.6 in.)
<b>3</b>	Caster base	N/A	1	N/A	N/A	21K2501	108.5 x 662 x 658 mm (4.27 x 26.1 x 25.9 in.)

<sup>1</sup> This option must be installed as tray 3 in the configuration.

<sup>2</sup> Use a maximum of three optional 550-sheet trays when installing the 2200-sheet tray. Place the 2200-sheet tray at the bottom of the configuration.

<sup>3</sup> For more information on supported configurations, see [“Adjustable printer stand 40C2300” on page 98.](#)

	Option	Placement				Part number	Dimensions (height, width, and depth)
		Table or desktop	Floor	Caster base	Adjustable printer stand		
4	2200-sheet tray <sup>2</sup>	1	1	1	N/A	21K0237	359 x 558.8 x 522.4 mm (14.13 x 22.0 x 20.6 in.)
5	Adjustable printer stand <sup>3</sup>	N/A	1	N/A	N/A	40C2300	521 x 653 x 625 mm (20.5 x 25.7 x 24.6 in.)
6	Staple finisher	1	1	1	1	42K2000	140.2 x 530 x 475.4 mm (5.5 x 20.9 x 18.7 in.)

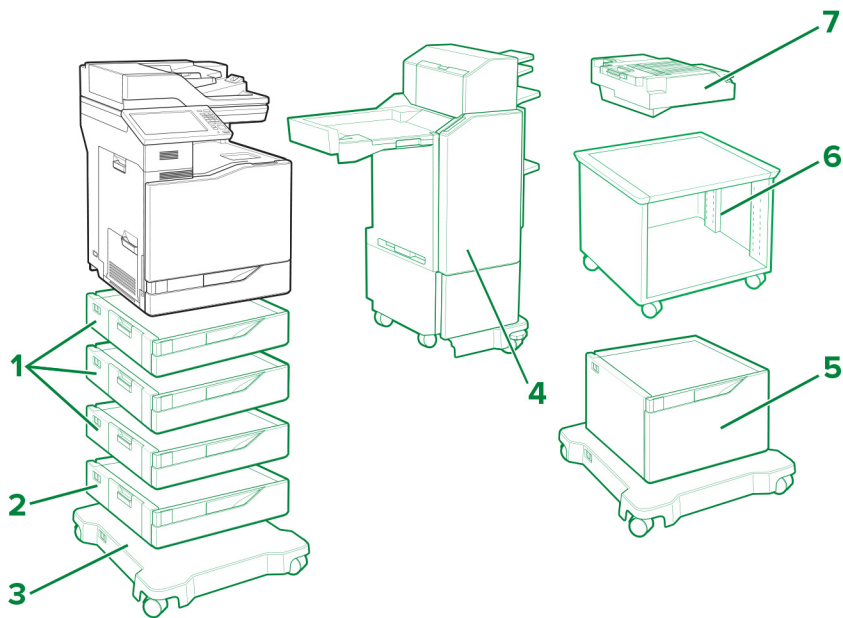
<sup>1</sup> This option must be installed as tray 3 in the configuration.

<sup>2</sup> Use a maximum of three optional 550-sheet trays when installing the 2200-sheet tray. Place the 2200-sheet tray at the bottom of the configuration.

<sup>3</sup> For more information on supported configurations, see [“Adjustable printer stand 40C2300” on page 98.](#)

Printer model	Dimensions (height, width, and depth)
CX820de, CX827de, XC6152de, XC6153de	762.6 x 558.8 x 588 mm (30 x 22 x 23.15 in.)
CX820dtfe, XC6152dtfe, XC6153dtfe	1137 x 662 x 658 mm (44.8 x 26.1 x 25.9 in.)

## Lexmark CX825, CX860, XC8155, XC8160, XC8163



Legend:  – Standard  – Optional

**Printer options, maximum configurations, part numbers, and dimensions**

	Option	Placement				Part number	Dimensions (height, width, and depth)
		Table or desktop	Floor	Caster base	Adjustable printer stand		
<b>1</b>	550-sheet tray	4	4	4	1	21K0567	120 x 558.8 x 522.4 mm (4.7 x 22.0 x 20.6 in.)
<b>2</b>	Envelope tray <sup>1</sup>	1	1	1	N/A	21K0787	120 x 558.8 x 522.4 mm (4.7 x 22.0 x 20.6 in.)
<b>3</b>	Caster base	N/A	1	N/A	N/A	21K2501	108.5 x 662 x 658 mm (4.27 x 26.1 x 25.9 in.)
<b>4</b>	Multiposition staple, hole punch finisher (short configuration) <sup>2</sup>	N/A	N/A	1	N/A	42K1267 42K1268	1156 x 621 x 574 mm (45.5 x 24.4 x 22.6 in.)
	Multiposition staple, hole punch finisher (tall configuration) <sup>3</sup>	N/A	N/A	1	N/A	42K1597 42K1598	1276 x 621 x 574 mm (50.2 x 24.5 x 22.6 in.)
<b>5</b>	2200-sheet tray <sup>4</sup>	1	1	1	N/A	21K0237	359 x 558.8 x 522.4 mm (14.13 x 22.0 x 20.6 in.)
<b>6</b>	Adjustable printer stand <sup>5</sup>	N/A	1	N/A	N/A	40C2300	521 x 653 x 625 mm (20.5 x 25.7 x 24.6 in.)
<b>7</b>	Staple finisher	1	1	1	1	42K2300	159.3 x 543.8 x 475.4 mm (6.3 x 21.4 x 18.7 in.)

<sup>1</sup> This option must be installed as tray 3 in the configuration.

<sup>2</sup> Installing the multiposition staple, hole punch finisher (short configuration) requires placing the printer on top of two optional 550-sheet trays and the caster base.

<sup>3</sup> Installing the multiposition staple, hole punch finisher (tall configuration) requires placing the printer on top of three optional 550-sheet trays and the caster base or on top of the 2200-sheet tray and the caster base.

<sup>4</sup> Use a maximum of three optional 550-sheet trays when installing the 2200-sheet tray. Place the 2200-sheet tray at the bottom of the configuration.

<sup>5</sup> For more information on supported configurations, see [“Adjustable printer stand 40C2300” on page 98](#).

Printer model	Dimensions (height, width, and depth)
CX825de, XC8155de	812.8 x 558.8 x 588 mm (32 x 22 x 23.15 in.)
CX825dte, XC8155dte	1162 x 662 x 658 mm (45.8 x 26.1 x 25.9 in.)
CX825dtfe	1162 x 662 x 658 mm (45.8 x 26.1 x 25.9 in.)
CX860de, XC8160de, XC8163de	812.8 x 558.8 x 588 mm (32 x 22 x 23.15 in.)

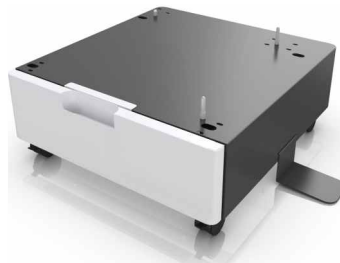
Printer model	Dimensions (height, width, and depth)
CX860dte, XC8160dte, XC8163dte	1162 x 662 x 658 mm (45.8 x 26.1 x 25.9 in.)
CX860dtfe	1162 x 662 x 658 mm (45.8 x 26.1 x 25.9 in.)

## Lexmark MS911 and MX910 series

The printers with optional trays and finisher:



Cabinet 26Z0094:



**Supported printer models:** MS911de, MX910de, MX911dte, and MX912dxe

## Input options

Placement	2 x 500-sheet tray <sup>2</sup>	2500-sheet tray	3000-sheet tray <sup>3</sup>	Staple finisher <sup>4,5</sup>	Staple, hole punch finisher	Booklet finisher	
Floor	✓						
	✓		✓				
	✓		✓	✓			
	✓		✓		✓		
	✓		✓			✓	
	✓				✓		
	✓					✓	
	✓					✓	
		✓					
		✓	✓				
		✓	✓	✓			
		✓	✓			✓	
		✓	✓				✓
		✓			✓		
		✓				✓	
		✓					✓

<sup>1</sup> The cabinet is supported even if no other optional hardware is installed.

<sup>2</sup> The 2 x 500 sheet tray cannot be used with 2500-sheet tray.

<sup>3</sup> The 3000-sheet tray is supported only if a 2 x 500- or 2500-sheet tray or a cabinet is installed.

<sup>4</sup> The staple finisher is not supported if another finisher is installed.

<sup>5</sup> The staple finisher is not supported in MX912dx.

Placement	2 x 500-sheet tray <sup>2</sup>	2500-sheet tray	3000-sheet tray <sup>3</sup>	Staple finisher <sup>4,5</sup>	Staple, hole punch finisher	Booklet finisher
Cabinet <sup>1</sup>			✓			
			✓	✓		
			✓		✓	
			✓			✓
				✓		
						✓
						✓

<sup>1</sup> The cabinet is supported even if no other optional hardware is installed.

<sup>2</sup> The 2 x 500 sheet tray cannot be used with 2500-sheet tray.

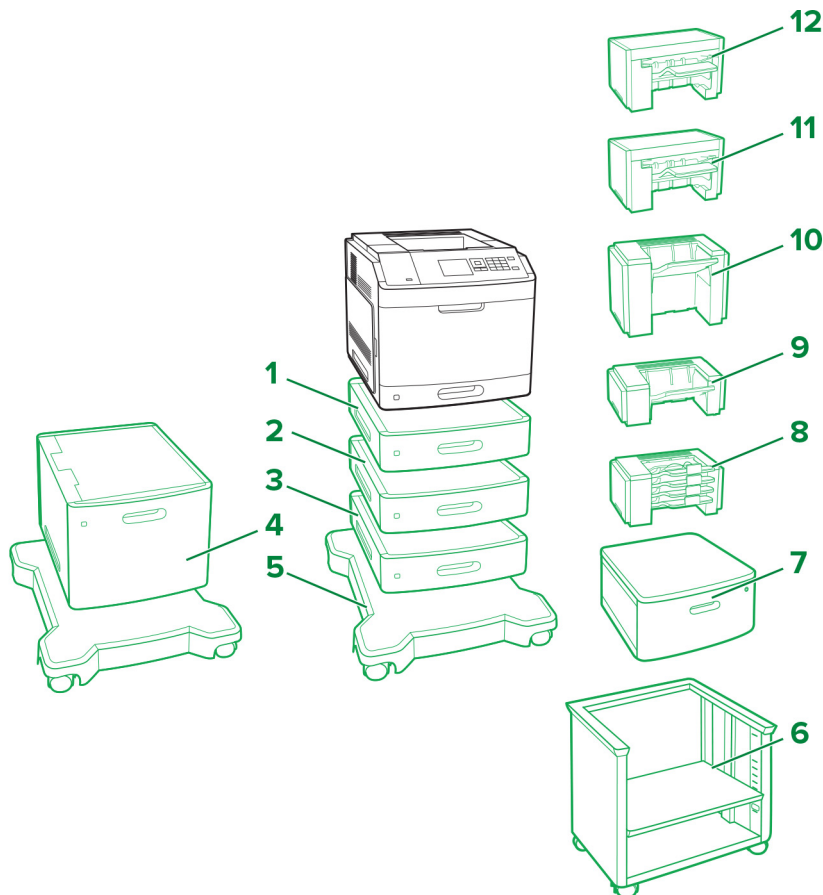
<sup>3</sup> The 3000-sheet tray is supported only if a 2 x 500- or 2500-sheet tray or a cabinet is installed.

<sup>4</sup> The staple finisher is not supported if another finisher is installed.

<sup>5</sup> The staple finisher is not supported in MX912dxe.



## Lexmark M5155, M5163, M5170, MS710, MS711, MS810, MS811, MS812, MS817, MS818



Legend:  – Standard  – Optional

	Option	Part number	Dimensions (height, width, and depth)
<b>1</b>	250-sheet tray	40G0800	78.74 x 421.64 x 510.54 mm (3.1 x 16.6 x 20.1 in.)
	250-sheet lockable tray	40G0820	
<b>2</b>	550-sheet tray	40G0802	109.22 x 421.64 x 510.54 mm (4.3 x 16.6 x 20.1 in.)
	550-sheet lockable tray	40G0822	
<b>3</b>	Spacer	40G0854	109.22 x 421.64 x 510.54 mm (4.3 x 16.6 x 20.1 in.)
<b>4</b>	2100-sheet tray	40G0804	350.52 x 421.64 x 510.54 mm (13.8 x 16.6 x 20.1 in.)
<b>5</b>	Caster base	40G0855	106.68 x 594.36 x 693.42 mm (4.2 x 23.4 x 27.3 in.)

	Option	Part number	Dimensions (height, width, and depth)
6	Adjustable printer stand	40C2300	520.7 x 652.78 x 624.84 mm (20.5 x 25.7 x 24.6 in.)
7	Swivel cabinet	3073173	263 x 476 x 600 mm (10.4 x 18.7 x 23.6 in.)
8	4-bin mailbox	40G0852	271.78 x 421.64 x 383.54 mm (10.7 x 16.6 x 15.1 in.)
9	Output expander	40G0851	165.1 x 421.64 x 381 mm (6.5 x 16.6 x 15 in.)
10	High capacity output expander	40G0853	309.88 x 421.64 x 335.28 mm (12.2 x 16.6 x 13.2 in.)
11	Staple, hole punch finisher	40G0849	246.38 x 434.34 x 513.08 mm (9.7 x 18.2 x 20.2 in.)
12	Staple finisher	40G0850	246.38 x 434.34 x 414.02 mm (9.7 x 17.1 x 16.3 in.)

### Printer input options, maximum configurations, and placement

Option	Placement				
	Table or desktop	Swivel cabinet	Floor <sup>3</sup>	Caster base <sup>4, 6</sup>	Adjustable printer stand <sup>4</sup>
250-sheet tray <sup>1, 2, 3, 4</sup>	4	4	2	4	4
250-sheet lockable tray <sup>1, 2, 3, 4</sup>					
550-sheet tray <sup>1, 2, 3, 4</sup>			1	3	3
550-sheet lockable tray <sup>1, 2, 3, 4</sup>					
Spacer <sup>5</sup>					

<sup>1</sup> Can be installed with other optional trays in any order except the 2100-sheet tray.

<sup>2</sup> Only one optional 250- or 550-sheet tray can be used when installing the 2100-sheet tray. Place the 2100-sheet tray at the bottom of the configuration.

<sup>3</sup> When placing the configuration on the floor, only one optional 250-sheet tray can be used with one optional 550-sheet tray or spacer.

<sup>4</sup> When placing the configuration on the caster base or adjustable printer stand, follow these maximum configuration instructions. If using three optional 550-sheet trays or spacers, no optional 250-sheet tray can be used. If using two 550-sheet trays or spacers, only one 250-sheet tray can be used. If using one 550-sheet tray or spacer, up to three 250-sheet trays can be used.

<sup>5</sup> When using a spacer, install it first, and then install any optional trays above it. Do not install the spacer with the 2100-sheet tray.

<sup>6</sup> The 2100-sheet tray requires the use of the caster base.

<sup>7</sup> For more information on supported configurations, see [“Adjustable printer stand 40C2300” on page 98.](#)

Option	Placement				
	Table or desktop	Swivel cabinet	Floor <sup>3</sup>	Caster base <sup>4, 6</sup>	Adjustable printer stand <sup>4</sup>
2100-sheet tray <sup>2, 6</sup>	N/A	N/A	N/A	1	N/A
Caster base <sup>4</sup>	N/A	N/A	1	N/A	N/A
Adjustable printer stand <sup>4, 7</sup>	N/A	N/A	1	N/A	N/A
Swivel cabinet	1	N/A	1	N/A	N/A

<sup>1</sup> Can be installed with other optional trays in any order except the 2100-sheet tray.

<sup>2</sup> Only one optional 250- or 550-sheet tray can be used when installing the 2100-sheet tray. Place the 2100-sheet tray at the bottom of the configuration.

<sup>3</sup> When placing the configuration on the floor, only one optional 250-sheet tray can be used with one optional 550-sheet tray or spacer.

<sup>4</sup> When placing the configuration on the caster base or adjustable printer stand, follow these maximum configuration instructions. If using three optional 550-sheet trays or spacers, no optional 250-sheet tray can be used. If using two 550-sheet trays or spacers, only one 250-sheet tray can be used. If using one 550-sheet tray or spacer, up to three 250-sheet trays can be used.

<sup>5</sup> When using a spacer, install it first, and then install any optional trays above it. Do not install the spacer with the 2100-sheet tray.

<sup>6</sup> The 2100-sheet tray requires the use of the caster base.

<sup>7</sup> For more information on supported configurations, see [“Adjustable printer stand 40C2300” on page 98](#).

### Printer output options, maximum configurations, and placement

Option	Placement				
	Table or desktop	Swivel cabinet	Floor	Caster base	Adjustable printer stand
4-bin mailbox <sup>1, 4</sup>	3	3	3	3	3
Output expander <sup>1, 2, 4</sup>					
High capacity output expander <sup>2, 3</sup>	1	1	1	1	1
Staple finisher <sup>5</sup>	1	1	1	1	1
Staple, hole punch finisher <sup>6</sup>	1	1	1	1	1

<sup>1</sup> The 4-bin mailboxes and output expanders can be installed in any order.

<sup>2</sup> A single output expander is the only option that can be placed on top of the high capacity output expander.

<sup>3</sup> No other output option may be installed below the high capacity output expander.

<sup>4</sup> When used with a staple finisher, place this option below it.

<sup>5</sup> The staple finisher is always on top of the configuration. An additional 4-bin mailbox or output expander may be installed below it.

<sup>6</sup> Do not use the staple, hole punch finisher with any other output options.

**Maximum floor configuration**



**Maximum table or desktop configuration**



**Maximum swivel cabinet configuration**



**Maximum adjustable printer stand configuration**



**Maximum caster base configuration**



**Maximum  
4-bin mailbox  
configuration**



**Maximum  
high capacity  
output expander  
configuration**



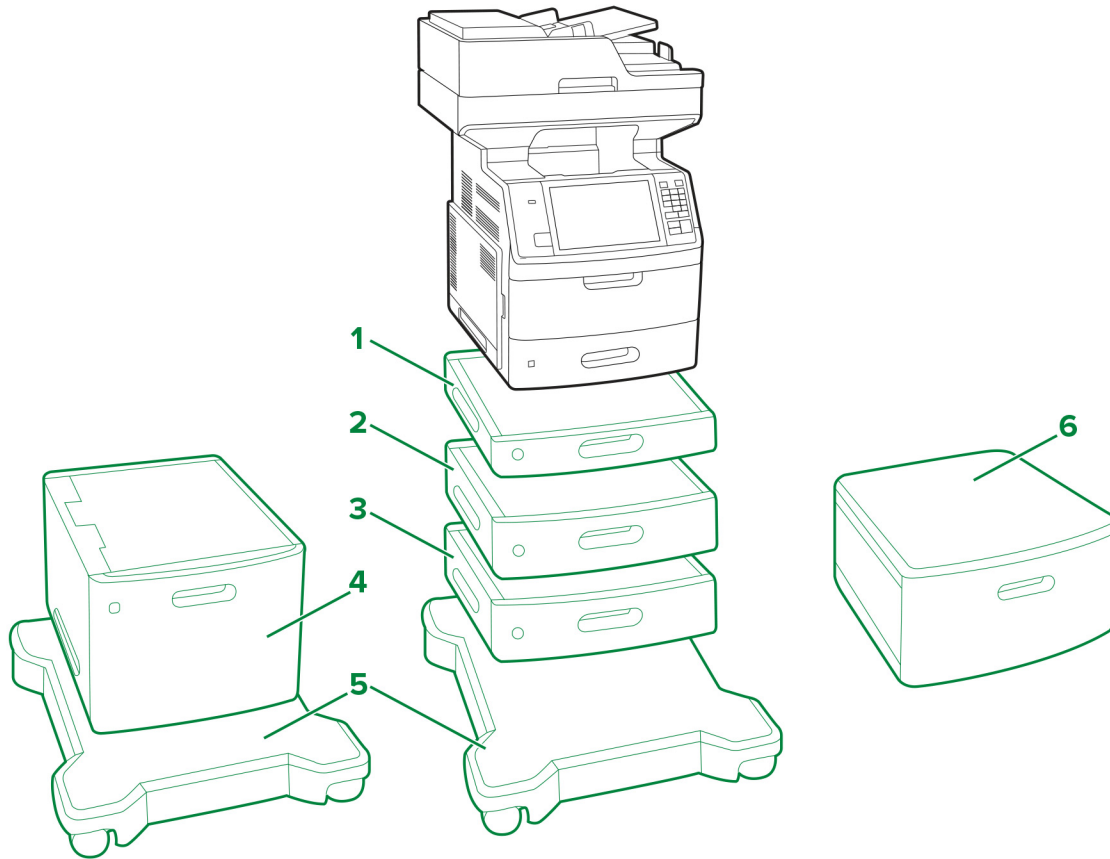
**Maximum staple,  
hole punch  
finisher  
configuration**



**Maximum  
staple finisher  
configuration**



# Lexmark MX710, MX711, MX717, MX718, XM5163, XM5170



Legend:  – Standard  – Optional

	Option	Placement				Part number	Dimensions (height, width, and depth)
		Table or desktop	Swivel cabinet	Floor <sup>3</sup>	Caster base <sup>4</sup>		
<b>1</b>	250-sheet tray <sup>1, 2, 3, 4</sup>	4	4	2	4	40G0800	78.74 x 421.64 x 510.54 mm (3.1 x 16.6 x 20.1 in.)
	250-sheet lockable tray <sup>1, 2, 3, 4</sup>					40G0820	
<b>2</b>	550-sheet lockable tray <sup>1, 2, 3, 4</sup>			1	3	40G0802	109.22 x 421.64 x 510.54 mm (4.3 x 16.6 x 20.1 in.)
	550-sheet tray <sup>1, 2, 3, 4</sup>					40G0822	
<b>3</b>	Spacer <sup>5</sup>					40G0854	109.22 x 421.64 x 510.54 mm (4.3 x 16.6 x 20.1 in.)
<b>4</b>	2100-sheet tray <sup>2, 6</sup>	N/A	N/A	N/A	1	40G0804	350.52 x 421.64 x 510.54 mm (13.8 x 16.6 x 20.1 in.)
<b>5</b>	Caster base <sup>4</sup>	N/A	N/A	1	N/A	40G0855	106.68 x 594.36 x 693.42 mm (4.2 x 23.4 x 27.3 in.)
<b>6</b>	Swivel cabinet	1	N/A	1	N/A	3073173	263 x 476 x 600 mm (10.4 x 18.7 x 23.6 in.)

<sup>1</sup> Can be installed with other optional trays in any order except the 2100-sheet tray.

<sup>2</sup> Only one optional 250- or 550-sheet tray can be used with the 2100-sheet tray. Place the 2100-sheet tray at the bottom of the configuration.

<sup>3</sup> When placing the configuration on the floor, only one optional 250-sheet tray can be used with one optional 550-sheet tray or spacer.

<sup>4</sup> When placing the configuration on the caster base, follow these maximum configuration instructions. If using three optional 550-sheet trays or spacers, no optional 250-sheet tray can be used. If using two 550-sheet trays or spacers, only one 250-sheet tray can be used. If using one 550-sheet tray or spacer, up to three 250-sheet trays can be used.

<sup>5</sup> When using a spacer, install it first, and then install any optional trays above it. Do not install the spacer with the 2100-sheet tray.

<sup>6</sup> The 2100-sheet tray requires the use of the caster base.

## Lexmark MX810 Series

The printer with optional tray and standard caster base:



### Notes:

- A maximum of four trays may be configured with the printer.
- Always use a caster base when configuring the printer with the 2100-sheet tray.

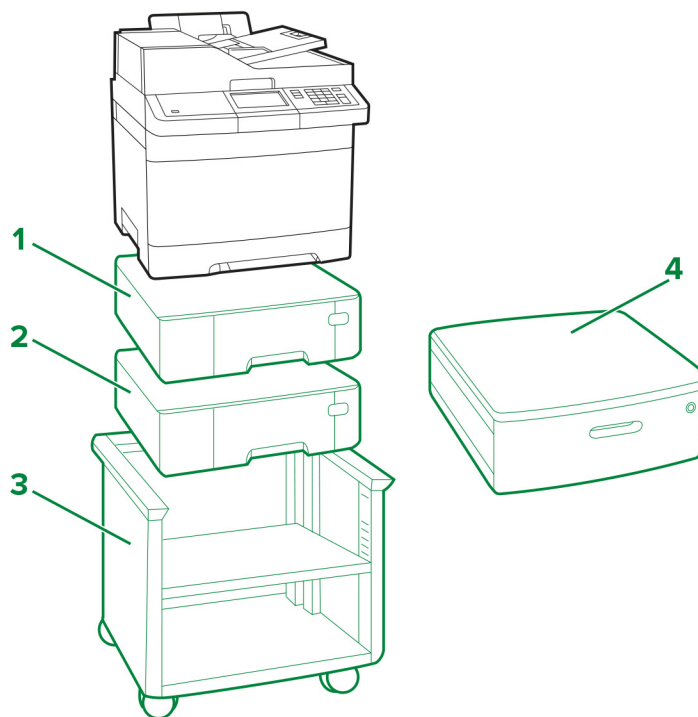
**Supported printer models:** MX810, MX811, and MX812

Placement	Caster base	550-sheet tray				2100-sheet tray*
		1	2	3	4	
Floor	✓					✓
		✓				
		✓	✓			
		✓	✓	✓		
Desktop		✓				
		✓	✓			
		✓	✓	✓		
		✓	✓	✓	✓	

\* The 2100-sheet tray cannot be paired with other trays and must be the lowest tray.



## Lexmark CX310, CX317, CX410, CX417, CX510, CX517, XC2132



**Legend:**  – Standard  – Optional

Option	Placement				Part number	Dimensions (height, width, and depth)
	Table or desktop	Floor	Adjustable printer stand	Swivel cabinet		
<b>1</b> 550-sheet tray <sup>1,2</sup>	2	2	2	2	38C0636	132 x 424 x 417 mm (5.2 x 16.7 x 16.4 in.)
<b>2</b> 650-sheet duo tray <sup>1,2</sup>	1	1	1	1	38C0626	132 x 424 x 417 mm (5.2 x 16.7 x 16.4 in.)
<b>3</b> Adjustable printer stand	N/A	1	N/A	N/A	35S8502	584 x 597 x 597 mm (23 x 23.5 x 23.5 in.)

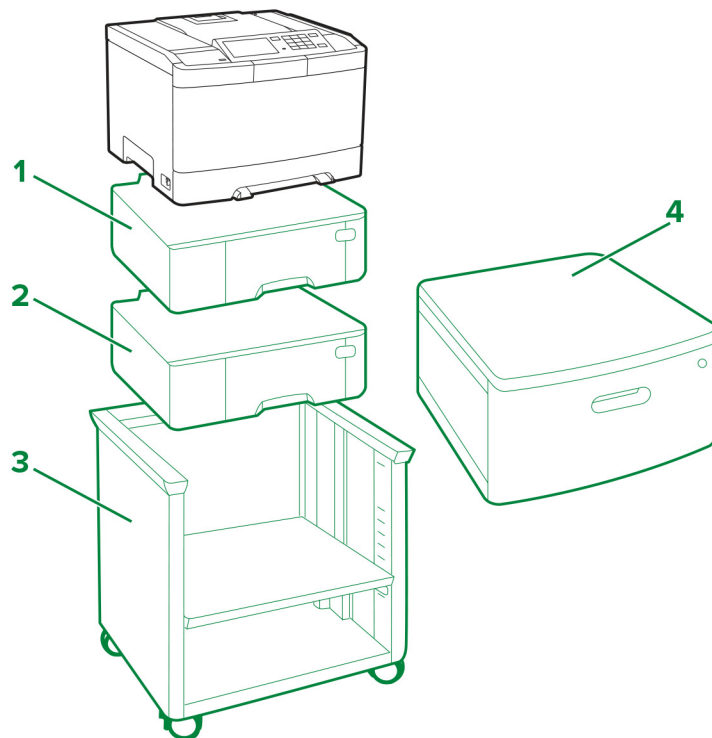
<sup>1</sup> Only one 550-sheet tray can be installed with the 650-sheet duo tray.

<sup>2</sup> Only one optional tray can be configured with CX310n, CX310dn, CX317dn, CX410dte, and CX510dthe.

	Option	Placement				Part number	Dimensions (height, width, and depth)
		Table or desktop	Floor	Adjustable printer stand	Swivel cabinet		
4	Swivel cabinet	1	1	N/A	N/A	3073173	263 x 476 x 600 mm (10.4 x 18.7 x 23.6 in.)

<sup>1</sup> Only one 550-sheet tray can be installed with the 650-sheet duo tray.  
<sup>2</sup> Only one optional tray can be configured with CX310n, CX310dn, CX317dn, CX410dte, and CX510dthe.

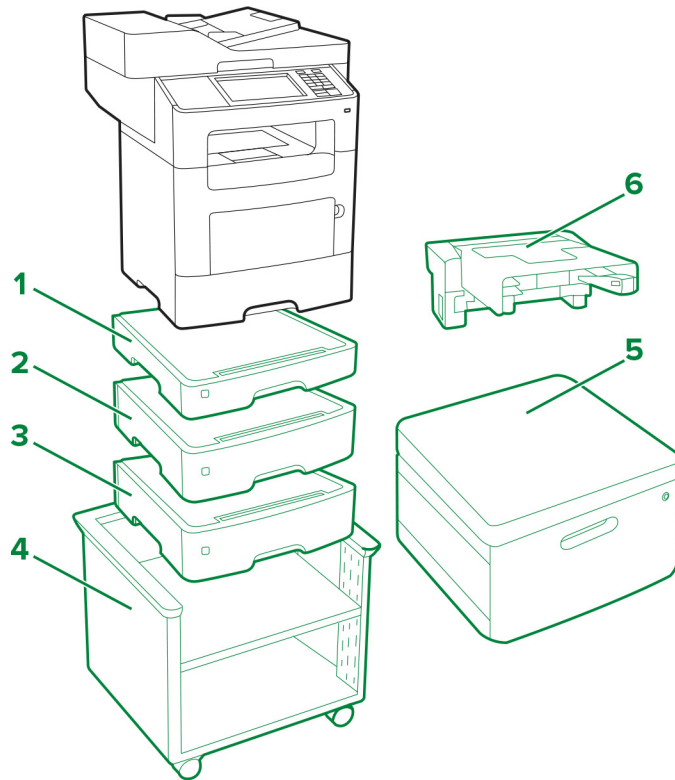
## Lexmark C2132, CS310, CS317, CS410, CS417, CS510, CS517



Legend:  – Standard  – Optional

	Option	Placement				Part number	Dimensions (height, width, and depth)
		Table or desktop	Floor	Adjustable printer stand	Swivel cabinet		
<b>1</b>	550-sheet tray <sup>1,2</sup>	2	2	2	2	38C0636	132 x 424 x 417 mm (5.2 x 16.7 x 16.4 in.)
<b>2</b>	650-sheet duo tray <sup>1,2</sup>	1	1	1	1	38C0626	132 x 424 x 417 mm (5.2 x 16.7 x 16.4 in.)
<b>3</b>	Adjustable printer stand	N/A	1	N/A	N/A	35S8502	584 x 597 x 597 mm (23 x 23.5 x 23.5 in.)
<b>4</b>	Swivel cabinet	1	1	N/A	N/A	3073173	263 x 476 x 600 mm (10.4 x 18.7 x 23.6 in.)
<sup>1</sup> Only one 550-sheet tray can be installed with the 650-sheet duo tray. <sup>2</sup> Only one optional tray can be configured with CS310n, CS310dn, CS317dn, CS410dtn, and CS510dte.							

## Lexmark MX610, MX611, MX617, XM3150



Legend:  – Standard  – Optional

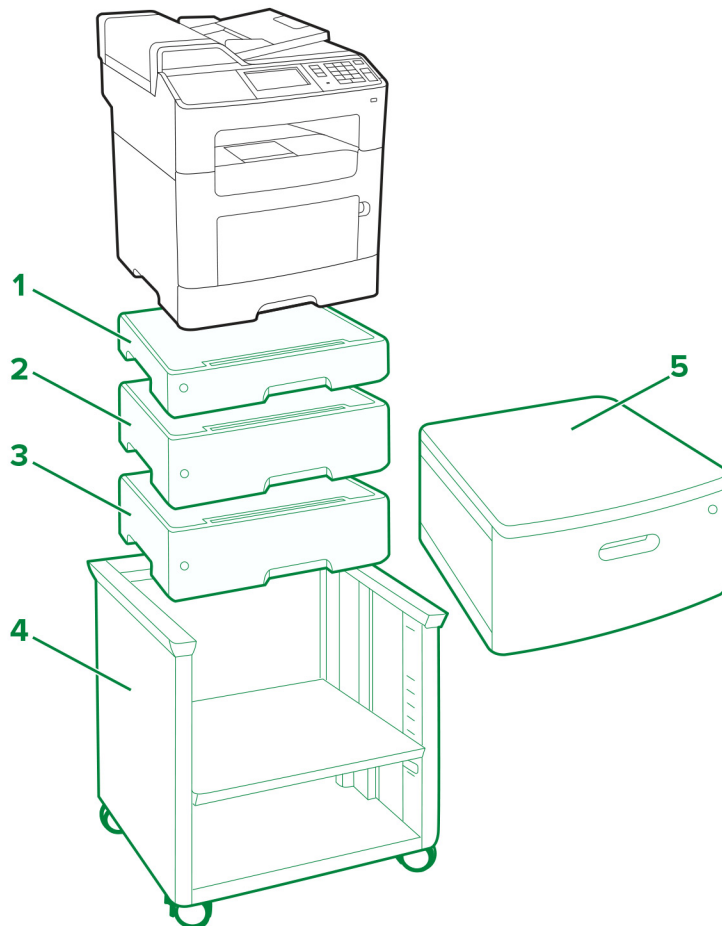
	Option	Placement				Part number	Dimensions (height, width, and depth)
		Table or desktop	Floor	Adjustable printer stand	Swivel cabinet		
1	250-sheet tray*	3	3	3	3	35S0267	77 x 389 x 382 mm (3.03 x 15.30 x 15.04 in.)
2	550-sheet lockable tray*					35S0367	109 x 389 x 382 mm (4.29 x 15.30 x 15.04 in.)
3	550-sheet tray*					35S0567	109 x 389 x 382 mm (4.29 x 15.30 x 15.04 in.)
4	Adjustable printer stand	N/A	1	N/A	N/A	35S8502	584 x 597 x 597 mm (23 x 23.5 x 23.5 in.)

\* This tray can be configured with other optional trays in any order.

	Option	Placement				Part number	Dimensions (height, width, and depth)
		Table or desktop	Floor	Adjustable printer stand	Swivel cabinet		
5	Swivel cabinet	1	1	N/A	N/A	3073173	263 x 476 x 600 mm (10.4 x 18.7 x 23.6 in.)
6	Inline stapler	1	1	1	1	35S8000	196 x 409 x 371 mm (7.7 x 16.1 x 14.6 in.)

\* This tray can be configured with other optional trays in any order.

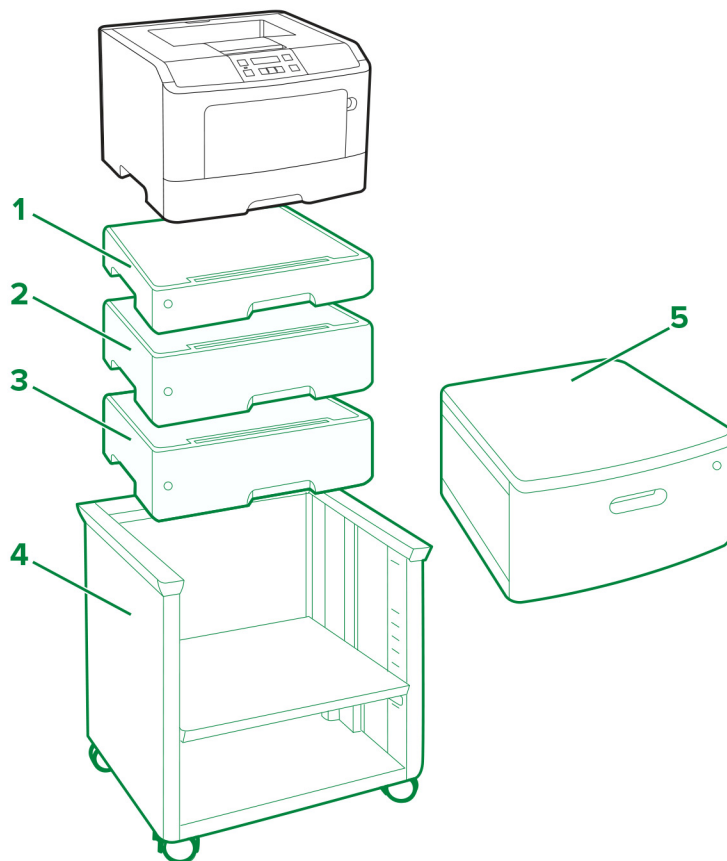
## Lexmark MX310, MX317, MX410, MX417, MX510, MX511, MX517, XM1145



Legend:  – Standard  – Optional

	Option	Placement				Part number	Dimensions (height, width, and depth)
		Table or desktop	Floor	Adjustable printer stand	Swivel cabinet		
<b>1</b>	250-sheet tray <sup>1, 2</sup>	3	3	3	3	35S0267	77 x 389 x 382 mm (3.03 x 15.30 x 15.04 in.)
<b>2</b>	550-sheet lockable tray <sup>1, 2</sup>					35S0367	109 x 389 x 382 mm (4.29 x 15.30 x 15.04 in.)
<b>3</b>	550-sheet tray <sup>1, 2</sup>					35S0567	109 x 389 x 382 mm (4.29 x 15.30 x 15.04 in.)
<b>4</b>	Adjustable printer stand	N/A	1	N/A	N/A	35S8502	584 x 597 x 597 mm (23 x 23.5 x 23.5 in.)
<b>5</b>	Swivel cabinet	1	1	N/A	N/A	3073173	263 x 476 x 600 mm (10.4 x 18.7 x 23.6 in.)
<sup>1</sup> This tray can be configured with other optional trays in any order. <sup>2</sup> Only one optional tray can be configured with MX310, MX317, MX410, and MX417.							

## Lexmark M1145, M3150, M1140+, MS310, MS312, MS317, MS410, MS415, MS417, MS510, MS517, MS610, MS617



Legend:  – Standard  – Optional

	Option	Placement				Part number	Dimensions (height, width, and depth)
		Table or desktop	Floor	Adjustable printer stand	Swivel cabinet		
<b>1</b>	250-sheet tray <sup>1, 2</sup>	3	3	3	3	35S0267	77 x 389 x 382 mm (3.03 x 15.30 x 15.04 in.)
<b>2</b>	550-sheet lockable tray <sup>1, 2</sup>					35S0367	109 x 389 x 382 mm (4.29 x 15.30 x 15.04 in.)
<b>3</b>	550-sheet tray <sup>1, 2</sup>					35S0567	109 x 389 x 382 mm (4.29 x 15.30 x 15.04 in.)

<sup>1</sup> The optional trays can be installed in any order.

<sup>2</sup> Only one optional tray can be configured with M1145, M3150, M1140+, MS310, MS312, MS317, MS410, MS415, and MS417.

	Option	Placement				Part number	Dimensions (height, width, and depth)
		Table or desktop	Floor	Adjustable printer stand	Swivel cabinet		
4	Adjustable printer stand	N/A	1	N/A	N/A	35S8502	584 x 597 x 597 mm (23 x 23.5 x 23.5 in.)
5	Swivel cabinet	1	1	N/A	N/A	3073173	263 x 476 x 600 mm (10.4 x 18.7 x 23.6 in.)

<sup>1</sup> The optional trays can be installed in any order.

<sup>2</sup> Only one optional tray can be configured with M1145, M3150, M1140+, MS310, MS312, MS317, MS410, MS415, and MS417.

## Lexmark C546dtn and X546dtn

The printers with optional tray and swivel cabinet:



**Supported printer models:** C546dtn and X546dtn

**Note:** Only one optional tray with part number 3051710 may be configured with the printers.



## Lexmark C730 Series

The printer with optional trays and caster base:



Swivel cabinet 3052765:



**Supported printer models:** C734 and C736

Placement	Optional caster base	Optional 550-sheet tray or 4.8-in. spacer				Optional 2000-sheet tray
		1	2	3	4	
Floor	✓	✓	✓	✓		✓
		✓	✓	✓	✓	
Floor	✓*					✓
		✓	✓	✓		
Desktop or swivel cabinet		✓	✓	✓		✓
		✓	✓	✓	✓	

\* An optional caster base may be used, but you can still safely operate the printer without it.

## Lexmark C740 Series

The printer with optional trays and caster base:



Swivel cabinet 3052765:



**Supported printer models:** C746 and C748

Placement	Optional caster base	Optional 550-sheet tray or 4.8-in. spacer <sup>1</sup>				Optional 2000-sheet tray
		1	2	3	4	
Desktop or swivel cabinet <sup>2</sup>		✓	✓	✓		✓
		✓	✓	✓	✓	
Floor	✓	✓	✓	✓		
		✓				✓

<sup>1</sup> The spacer must be under the optional 550-sheet tray and cannot be used with the 2000-sheet tray.

<sup>2</sup> When placing the printer on a desktop, make sure the height of the printer, including options, does not exceed 1.3 m (51.18 in.).

<sup>3</sup> An optional caster base may be used, but you can still safely operate the printer without it.

Placement	Optional caster base	Optional 550-sheet tray or 4.8-in. spacer <sup>1</sup>				Optional 2000-sheet tray
		1	2	3	4	
Floor	√ <sup>3</sup>	√				√
		√	√	√		

<sup>1</sup> The spacer must be under the optional 550-sheet tray and cannot be used with the 2000-sheet tray.

<sup>2</sup> When placing the printer on a desktop, make sure the height of the printer, including options, does not exceed 1.3 m (51.18 in.).

<sup>3</sup> An optional caster base may be used, but you can still safely operate the printer without it.

## Lexmark C792

Base printer:



Lexmark C792 with extra drawers and caster base:



**Supported printer:** C792

Placement	Optional caster base	Optional 550-sheet drawers				Optional 2000-sheet drawer	Optional output option
		1	2	3	4	1	1
Desktop <sup>1</sup>		✓	✓	✓		✓	✓
		✓	✓	✓	✓		✓
Floor	✓	✓	✓	✓			✓
		✓				✓	✓
Floor	✓ <sup>2</sup>	✓	✓				✓

**Notes:**

- <sup>1</sup> The maximum recommended height is 1.3 m (51.18 in.).
- <sup>2</sup> May be used but not required for safe operation

## Lexmark C925

Lexmark C925 with extra drawers:



Lexmark C925 with extra drawers and printer stand converted to caster base 24Z0031:



Printer stand 39V4339:



**Supported printer: C925**

Placement	Printer stand 24Z0031	Printer stand converted to caster base 24Z0031	Optional 550-sheet drawers		
			1	2	3
Desktop			✓		
Floor		✓	✓		
			✓	✓	
			✓	✓	✓
Floor	✓		✓		

## Lexmark C950 Series

Lexmark C950 with tandem-tray module, high-capacity feeder, and booklet finisher:



Optional three-tray module:



Optional one-tray module:



Optional finisher:



**Supported printer model:** C950de

Placement	One-tray module	Three-tray module	Tandem-tray module	Optional high-capacity feeder	Optional booklet finisher	Optional finisher
Floor	✓					
	✓			✓		
	✓				✓	
	✓					✓
	✓			✓	✓	
	✓			✓		✓
		✓				
		✓		✓		
		✓			✓	
		✓				✓
		✓		✓	✓	
		✓		✓		✓
				✓		
				✓	✓	
				✓		✓
				✓	✓	✓
				✓		✓



## Lexmark T650 Series

Lexmark T65x with caster base 39V3588:



**Supported printers:** T650, T652, T654, and T656

Printer models	Placement	Optional 2000-sheet tray	Duplex Unit	Optional 250-sheet tray				Optional 550-sheet tray or 5.1-in. spacer				Optional caster base 39V3588
				1	2	3	4	1	2	3	4	
T650, T652, T654, T656	Desktop or swivel cabinet		Yes <sup>2</sup> or No <sup>1</sup>	✓	✓	✓	✓					✓
				✓	✓	✓		✓				
				✓	✓			✓	✓			
				✓				✓	✓	✓		
								✓	✓	✓	✓	

<sup>1</sup> The optional duplex unit is available only on Lexmark T650n.

<sup>2</sup> An internal duplex unit is a standard feature on Lexmark T652dn, T654dn, and T656.

<sup>3</sup> An optional caster base may be used, but you can still safely operate the printer without it.

Printer models	Placement	Optional 2000-sheet tray	Duplex Unit	Optional 250-sheet tray				Optional 550-sheet tray or 5.1-in. spacer				Optional caster base 39V3588
				1	2	3	4	1	2	3	4	
T650	Floor		Yes <sup>1</sup>	✓	✓	✓						✓ <sup>3</sup>
				✓				✓				
								✓	✓			
			No <sup>1</sup>	✓	✓	✓	✓					
				✓	✓			✓				
								✓	✓			
T652, T654, T656	Floor		Include d <sup>1</sup>	✓	✓	✓					✓ <sup>3</sup>	
				✓	✓			✓				
								✓	✓			
T650, T652, T654, T656	Floor		Yes <sup>2</sup> or No <sup>1</sup>	✓	✓	✓	✓					✓
				✓	✓	✓		✓				
				✓	✓			✓	✓			
				✓				✓	✓	✓		
								✓	✓	✓	✓	
				✓	✓	✓						
				✓	✓			✓				
				✓				✓	✓			
								✓	✓	✓		
				✓								

<sup>1</sup> The optional duplex unit is available only on Lexmark T650n.

<sup>2</sup> An internal duplex unit is a standard feature on Lexmark T652dn, T654dn, and T656.

<sup>3</sup> An optional caster base may be used, but you can still safely operate the printer without it.

## Lexmark W850 and X860de

The printer with optional trays, cabinet 15R0140, and finisher:



**Supported printer models:** W850 and X860de

Placement	Printer configuration	Cabinet	Standard 2 x 500-sheet tray		Optional 2 x 500- or 850 + 1150-sheet tray		Optional 2000-sheet tray	Finisher
			Tray 1	Tray 2	Tray 3	Tray 4		
Floor	A		✓	✓				
	B		✓	✓	✓	✓		
	C		✓	✓	✓	✓	✓	
	D	✓	✓	✓				
	E	✓	✓	✓				✓
	F	✓	✓	✓			✓	
	G	✓	✓	✓			✓	✓

**Notes:**

- The 850 + 1150-sheet tray cannot be used with the 2000-sheet tray.
- The optional 2 x 500- or 850 + 1150-sheet tray cannot be used with the cabinet.
- Always use a cabinet when configuring the printer with the finisher.

## Lexmark X650 Series

The printer with optional trays and caster base 16M1216:



Swivel cabinet 3052765:



**Supported printer models:** X651e, X652e, X654e, and X656e

Printer configuration	Optional caster base	Desktop or swivel cabinet	Optional 250-sheet tray				Optional 500-sheet tray or 5.1-in. spacer			Optional 2000-sheet tray
			1	2	3	4	1	2	3	
A	✓		✓	✓	✓	✓				
B	✓		✓	✓	✓		✓			
C	✓		✓	✓			✓	✓		
D	✓						✓	✓	✓	
E	✓		✓							✓
F	✓						✓			✓
G		✓	✓	✓	✓	✓				
H		✓	✓	✓	✓		✓			
I		✓	✓				✓	✓		
J		✓					✓	✓	✓	

**Notes:**

- The spacer must be under the optional 250- or 500-sheet tray and cannot be used with the 2000-sheet tray.
- The optional 2000-sheet tray must always be at the bottom of a configuration.
- At least one optional tray or spacer is required when using the caster base.

## Lexmark X658e



**Supported printer:** Lexmark X658e

A maximum of four 550-sheet drawers are supported. Since one of the 550-sheet drawers is part of the base unit, only up to three additional optional drawers are allowed when configuring the printer.

**Note:** The caster base is standard.

## Lexmark X730 Series

The printer with optional trays and caster base:





Swivel cabinet 3052765



**Supported printer models:** X734de, X736de, and X738de

Printer configuration	Placement		Optional caster base	Optional 550-sheet tray or 4.8-in. spacer				Optional 2000-sheet tray
	Desktop or swivel cabinet	Floor		1	2	3	4	
A	✓			✓	✓	✓	✓	
B	✓			✓	✓	✓		✓
C		✓		✓				
D			✓	✓	✓	✓		✓
E			✓	✓				✓

**Notes:**

- The spacer must be under the optional 550-sheet tray and cannot be used with the 2000-sheet tray.
- The optional 2000-sheet tray must always be at the bottom of a configuration.
- At least one optional tray or spacer must be installed when using the caster base.

## Lexmark X740 Series

The printer with optional tray and caster base:



Swivel cabinet 3052765:



**Supported printers models:** X746 and X748

Placement	Optional caster base	Optional 550-sheet tray or 4.8-in. spacer <sup>1</sup>				Optional 2000-sheet tray
		1	2	3	4	
Desktop or swivel cabinet <sup>2</sup>		✓	✓	✓		✓
		✓	✓	✓	✓	
Floor	✓	✓	✓	✓		
						✓
Floor	✓ <sup>3</sup>					✓
		✓	✓	✓		

<sup>1</sup> The spacer must be under the optional 550-sheet tray and cannot be used with the 2000-sheet tray.

<sup>2</sup> When placing the printer on a desktop, make sure the height of the printer, including options, does not exceed 1.3 m (51.18 in.).

<sup>3</sup> An optional caster base may be used, but you can still safely operate the printer without it.



# Lexmark X792

Lexmark X792 with extra drawer



Lexmark X792 with extra drawer and caster base



**Supported printer: X792**

Placement	Optional caster base	Optional 550-sheet drawers				Optional 2000-sheet drawer	Optional output option
		1	2	3	4	1	1
Desktop <sup>3</sup>		✓	✓			✓	✓
		✓	✓	✓	✓		✓

Placement	Optional caster base	Optional 550-sheet drawers				Optional 2000-sheet drawer	Optional output option
		1	2	3	4	1	1
Floor	√ <sup>1</sup>	√	√	√			√
		√	√	√	√		√ <sup>1</sup>
						√	√
		√				√	√ <sup>1</sup>
Floor	√ <sup>2</sup>	√					√
		√	√				√ <sup>1</sup>

**Notes:**

- <sup>1</sup> Required
- <sup>2</sup> May be used but not required for safe operation
- <sup>3</sup> The maximum recommended height is 1.3 m (51.18 in.).

## Lexmark X925

Lexmark X925 with extra drawers and printer stand converted to caster base 24Z0031:



Printer stand 24Z0031:



**Supported printer: X925**

Placement	Printer stand 24Z0031	Printer stand converted to caster base 24Z0031	Optional 550-sheet drawers		
			1	2	3
Desktop			✓		
Floor		✓	✓		
			✓	✓	
			✓	✓	✓
Floor	✓		✓		

**Lexmark X950 Series**

Lexmark X950de with tandem-tray module, high-capacity feeder, and booklet finisher:



Optional three-tray module:



Optional one-tray module:



Optional finisher:



**Supported printer model:** X950de

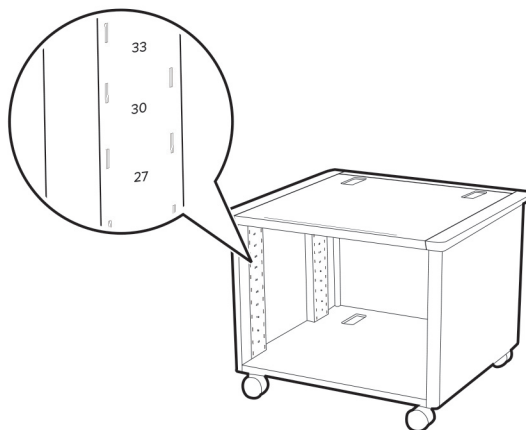
Placement	One-tray module	Three-tray module	Tandem-tray module	Optional high-capacity feeder	Optional booklet finisher	Optional finisher
Floor	✓					
	✓			✓		
	✓				✓	
	✓					✓
	✓			✓	✓	
	✓			✓		✓
		✓				
		✓		✓		
		✓			✓	
		✓				✓
		✓		✓	✓	
		✓		✓		✓
				✓		
				✓	✓	
				✓		✓
				✓	✓	✓

**Supported printer models:** X952dte and X954dhe

Placement	Optional high-capacity feeder	Optional booklet finisher	Optional finisher
Floor	✓		
		✓	
			✓
	✓	✓	
	✓		✓

## Printer stand

### Adjustable printer stand 40C2300



Shelf placement	Lexmark C2335, CS531, CS632, CS639, CX532, CX635, XC2335				
Topmost	Base printer				
	Base printer + one optional 650-sheet duo tray + two optional 550-sheet trays				
Shelf placement	Lexmark B2865, M5155, M5255, M5265, M6163, M5170, MB2770, MS710, MS711, MS725, MS810, MS811, MS812, MS817, MS818, MS821, MS822, MS823, MS825, MS826, MX721, MX722, MX725, XM5365, XM5370	Lexmark C6160, CS820, CS827, CX820, CX825, CX827, CX860, XC6152, XC8155, XC8160	Lexmark C4150, CS720, CS725, CS727, CS728, CX725, CX727, XC4140, XC4150	Lexmark C2240, C2425, C2325, C2535, CS421, CS521, CS622, CX421, CX522, CX622, CX625, MC2325, MC2425, MC2535, MC2640, XC2235, XC4240	Lexmark C4342, C4352, CS730, CS735, CS737, CX730, CX735, CX737, XC4342, XC4352
Topmost	Base printer	Base printer Base printer + one optional 550-sheet tray	Base printer	Base printer	Base printer
41	Base printer + one optional 250-sheet tray	N/A	N/A	N/A	N/A

Shelf placement	Lexmark B2865, M5155, M5255, M5265, M6163, M5170, MB2770, MS710, MS711, MS725, MS810, MS811, MS812, MS817, MS818, MS821, MS822, MS823, MS825, MS826, MX721, MX722, MX725, XM5365, XM5370	Lexmark C6160, CS820, CS827, CX820, CX825, CX827, CX860, XC6152, XC8155, XC8160	Lexmark C4150, CS720, CS725, CS727, CS728, CX725, CX727, XC4140, XC4150	Lexmark C2240, C2425, C2325, C2535, CS421, CS521, CS622, CX421, CX522, CX622, CX625, MC2325, MC2425, MC2535, MC2640, XC2235, XC4240	Lexmark C4342, C4352, CS730, CS735, CS737, CX730, CX735, CX737, XC4342, XC4352
37	Base printer + one optional 550-sheet tray	N/A	Base printer + one optional 550-sheet tray	Base printer + one optional 650-sheet duo tray	Base printer + one optional 550-sheet tray
33	Base printer + two optional 250-sheet trays	N/A	N/A	N/A	N/A
30	Base printer + one optional 550-sheet tray + one optional 250-sheet tray	N/A	N/A	N/A	N/A
27	Base printer + two optional 550-sheet trays	N/A	N/A	N/A	N/A
25	Base printer + three optional 250-sheet trays	N/A	Base printer + two optional 550-sheet trays	N/A	Base printer + two optional 550-sheet trays
22	Base printer + two optional 250-sheet trays + one optional 550-sheet tray	N/A	N/A	Base printer + one optional 650-sheet duo tray + one optional 550-sheet tray	N/A
19	Base printer + one optional 250-sheet tray + two optional 550-sheet trays	N/A	N/A	N/A	N/A
16	Base printer + four optional 250-sheet trays	N/A	N/A	N/A	N/A
	Base printer + three optional 550-sheet trays				

Shelf placement	Lexmark B2865, M5155, M5255, M5265, M6163, M5170, MB2770, MS710, MS711, MS725, MS810, MS811, MS812, MS817, MS818, MS821, MS822, MS823, MS825, MS826, MX721, MX722, MX725, XM5365, XM5370	Lexmark C6160, CS820, CS827, CX820, CX825, CX827, CX860, XC6152, XC8155, XC8160	Lexmark C4150, CS720, CS725, CS727, CS728, CX725, CX727, XC4140, XC4150	Lexmark C2240, C2425, C2325, C2535, CS421, CS521, CS622, CX421, CX522, CX622, CX625, MC2325, MC2425, MC2535, MC2640, XC2235, XC4240	Lexmark C4342, C4352, CS730, CS735, CS737, CX730, CX735, CX737, XC4342, XC4352
13	Base printer + three optional 250-sheet trays + one optional 550-sheet tray	N/A	Base printer + three optional 550-sheet trays	N/A	Base printer + three or four optional 550-sheet trays

### Printer stand 16N1708 with or without scanner shelf 10B1755



**Supported printers:** C760 and C762

**Supported MFP:** X762e

**Supported scanner:** X4500

Printer configuration	MFP option	Duplex unit	Optional 500-sheet drawers		
			1	2	3
A	✓	✓	✓		
B	✓		✓	✓	
C		✓	✓	✓	✓

- If an optional duplex unit is installed, then:
  - The duplex unit must always be installed directly under the printer.
  - All paper-handling options must be installed under the duplex unit.



- A printer without MFP option can also support a maximum combination of one optional 2,000-sheet drawer and one optional 500-sheet drawer without a printer stand.
- An optional 500-sheet drawer is required when using a 2,000-sheet drawer and duplex unit configuration.

## Printer stand 16N1708 with or without scanner shelf 21J0055



**Supported printers:** C772 and C782

**Supported MFPs:** X772e and X782e

**Supported scanner:** 4600

Printer configuration	MFP option	Duplex unit	Optional 500-sheet drawers		
			1	2	3
A	✓	✓	✓	✓	
B	✓	x	✓	✓	
C	x	✓	✓	✓	✓

- If an optional duplex unit is installed, then:
  - The duplex unit must be directly under the printer for any of the listed configurations.
  - All paper-handling options must be installed under the duplex unit.
- A printer without MFP option can also support a maximum combination of one optional 2,000-sheet drawer and one optional 500-sheet drawer without a printer stand. An optional 500-sheet drawer, as the first option under the duplex unit, is required when using a 2,000-sheet drawer and duplex unit configuration.

## Caster base

### Caster base 22G0544 for MFPs



**Supported MFPs:** X646e, X644e, and X642e

Printer configuration	Duplex unit	Optional 250-sheet drawers				Optional 500-sheet drawers				Optional 10-inch cabinet	Optional 2,000-sheet drawer
		1	2	3	4	1	2	3	4		
A	✓	✓	✓	✓	✓						
B	✓	✓	✓	✓		✓					
C	✓	✓	✓			✓	✓				
D	✓	✓				✓	✓	✓			
E	✓					✓	✓	✓	✓		
F	✓	✓	✓							✓	
G	✓					✓	✓			✓	
H	✓	✓								✓	
I	✓	✓									✓
J	✓					✓					✓

- If an optional duplex unit is installed, then:
  - The duplex unit must always be installed directly under the printer.
  - All paper-handling options must be installed below the duplex unit.
- The optional 2,000-sheet drawer must be at the bottom of the stack of drawers.

- The optional 10-inch cabinet must be at the bottom of the stack of drawers.
- At least one input drawer or optional 10-inch cabinet is required with this caster base.

## Caster base 22G0544 with scanner and shelf 21J0050



**Supported printers:** T642, T642n, T644, and T644

**Supported scanner:** 4600

Printer configuration	MFP option	Duplex unit	Optional 250-sheet drawers				Optional 500-sheet drawers			Optional 10-inch cabinet	Optional 2,000-sheet drawer
			1	2	3	4	1	2	3		
A	✓	✓	✓	✓	✓	✓					
B	✓	✓	✓	✓	✓		✓				
C	✓	✓	✓				✓	✓			
D	✓	✓	✓	✓			✓	✓			
E	✓	✓					✓	✓	✓		
F	✓	✓									✓
G	✓	✓					✓			✓	

- If an optional duplex unit is installed, then:
  - The duplex unit must always be installed directly under the printer.
  - All paper-handling options must be installed below the duplex unit.
- The optional 2,000-sheet drawer must be at the bottom of the stack of drawers.
- The optional 10-inch cabinet must be at the bottom of the stack of drawers.
- At least one input drawer or optional 10-inch cabinet is required with this caster base.

# Notices

## Edition notice

April 2023

**The following paragraph does not apply to any country where such provisions are inconsistent with local law:** LEXMARK INTERNATIONAL, INC., PROVIDES THIS PUBLICATION "AS IS" WITHOUT WARRANTY OF ANY KIND, EITHER EXPRESS OR IMPLIED, INCLUDING, BUT NOT LIMITED TO, THE IMPLIED WARRANTIES OF MERCHANTABILITY OR FITNESS FOR A PARTICULAR PURPOSE. Some states do not allow disclaimer of express or implied warranties in certain transactions; therefore, this statement may not apply to you.

This publication could include technical inaccuracies or typographical errors. Changes are periodically made to the information herein; these changes will be incorporated in later editions. Improvements or changes in the products or the programs described may be made at any time.

References in this publication to products, programs, or services do not imply that the manufacturer intends to make these available in all countries in which it operates. Any reference to a product, program, or service is not intended to state or imply that only that product, program, or service may be used. Any functionally equivalent product, program, or service that does not infringe any existing intellectual property right may be used instead. Evaluation and verification of operation in conjunction with other products, programs, or services, except those expressly designated by the manufacturer, are the user's responsibility.

For Lexmark technical support, go to <http://support.lexmark.com>.

For information on Lexmark's privacy policy governing the use of this product, go to [www.lexmark.com/privacy](http://www.lexmark.com/privacy).

For information on supplies and downloads, go to [www.lexmark.com](http://www.lexmark.com).

© 2011 Lexmark International, Inc.

All rights reserved.

## GOVERNMENT END USERS

The Software Program and any related documentation are "Commercial Items," as that term is defined in 48 C.F.R. 2.101, "Computer Software" and "Commercial Computer Software Documentation," as such terms are used in 48 C.F.R. 12.212 or 48 C.F.R. 227.7202, as applicable. Consistent with 48 C.F.R. 12.212 or 48 C.F.R. 227.7202-1 through 227.7207-4, as applicable, the Commercial Computer Software and Commercial Software Documentation are licensed to the U.S. Government end users (a) only as Commercial Items and (b) with only those rights as are granted to all other end users pursuant to the terms and conditions herein.

## Trademarks

Lexmark and the Lexmark logo are trademarks or registered trademarks of Lexmark International, Inc. in the United States and/or other countries.

All other trademarks are the property of their respective owners.

# Index

## Numerics

10B1755, part number 100  
 15R0140, part number 87  
 16M1210, part number 90  
 16M1216, part number 88  
 16N1708, part number 100, 101  
 21J0050, part number 103  
 21J0055, part number 101  
 22G0544, part number 102  
   caster base with scanner 103  
 24Z0031, part number 80, 94  
 26Z0094, part number 58  
 3051710, part number 76  
 3052765, part  
   number 77, 78, 88, 90, 92  
 39V3588, part number 85

## A

adjustable printer stand 98

## C

cabinet  
   part number 15R0140 87  
   part number 26Z0094 58  
 caster base  
   part number 16M1210 90  
   part number 16M1216 88  
   part number 22G0544 102, 103  
   part number 39V3588 85

## L

Lexmark B2338 42  
 Lexmark B2442 42  
 Lexmark B2546 42  
 Lexmark B2650 42  
 Lexmark B2865 33  
 Lexmark B3340 26  
 Lexmark B3442 26  
 Lexmark C2132 70  
 Lexmark C2240 29  
 Lexmark C2325 29  
 Lexmark C2326 27  
 Lexmark C2335 4  
 Lexmark C2425 29  
 Lexmark C2535 29  
 Lexmark C3224 27  
 Lexmark C3326 27

Lexmark C3426 27  
 Lexmark C4150 50  
 Lexmark C4342 14  
 Lexmark C4352 14  
 Lexmark C546dtn 76  
 Lexmark C6160 53  
 Lexmark C730 Series 77  
 Lexmark C740 Series 78  
 Lexmark C760 100  
 Lexmark C762 100  
 Lexmark C772 101  
 Lexmark C782 101  
 Lexmark C792 79  
 Lexmark C9235 46  
 Lexmark C925 80  
 Lexmark C950 Series 82  
 Lexmark CS310 70  
 Lexmark CS317 70  
 Lexmark CS331 27  
 Lexmark CS410 70  
 Lexmark CS417 70  
 Lexmark CS421 29  
 Lexmark CS431 27  
 Lexmark CS439 27  
 Lexmark CS510 70  
 Lexmark CS517 70  
 Lexmark CS521 29  
 Lexmark CS531 4  
 Lexmark CS622 29  
 Lexmark CS632 4  
 Lexmark CS639 4  
 Lexmark CS720 50  
 Lexmark CS725 50  
 Lexmark CS727 50  
 Lexmark CS728 50  
 Lexmark CS730de 14  
 Lexmark CS735de 14  
 Lexmark CS737dze 14  
 Lexmark CS820 53  
 Lexmark CS827 53  
 Lexmark CS921 46  
 Lexmark CS923 46  
 Lexmark CS927 46  
 Lexmark CS943 17  
 Lexmark CX310 69  
 Lexmark CX317 69  
 Lexmark CX331 28  
 Lexmark CX410 69

Lexmark CX417 69  
 Lexmark CX421 31  
 Lexmark CX431 28  
 Lexmark CX510 69  
 Lexmark CX517 69  
 Lexmark CX522 31  
 Lexmark CX622 31  
 Lexmark CX625 31  
 Lexmark CX725 52  
 Lexmark CX727 52  
 Lexmark CX8160 56  
 Lexmark CX820 55  
 Lexmark CX825 56  
 Lexmark CX827 55  
 Lexmark CX921 48  
 Lexmark CX922 48  
 Lexmark CX923 48  
 Lexmark CX924 48  
 Lexmark CX927 48  
 Lexmark CX930 23  
 Lexmark CX931 23  
 Lexmark CX942 20  
 Lexmark CX943 20  
 Lexmark CX944 20  
 Lexmark M1140+ 75  
 Lexmark M1145 75  
 Lexmark M1242 42  
 Lexmark M1246 42  
 Lexmark M1342 26  
 Lexmark M3150 75  
 Lexmark M3250 42  
 Lexmark M3550 8  
 Lexmark M5155 61  
 Lexmark M5163 61  
 Lexmark M5170 61  
 Lexmark M5255 33  
 Lexmark M5270 33  
 Lexmark MB2338 43  
 Lexmark MB2442 43  
 Lexmark MB2546 43  
 Lexmark MB2650 45  
 Lexmark MB2770 37  
 Lexmark MB3442 16  
 Lexmark MC2325 31  
 Lexmark MC2425 31  
 Lexmark MC2535 31  
 Lexmark MC2640 31  
 Lexmark MC3224 28

- Lexmark MC3326 28
  - Lexmark MC3426 28
  - Lexmark MS310 75
  - Lexmark MS312 75
  - Lexmark MS317 75
  - Lexmark MS321 42
  - Lexmark MS331 26
  - Lexmark MS410 75
  - Lexmark MS415 75
  - Lexmark MS417 75
  - Lexmark MS421 42
  - Lexmark MS431 26
  - Lexmark MS439 26
  - Lexmark MS510 75
  - Lexmark MS517 75
  - Lexmark MS521 42
  - Lexmark MS531 8
  - Lexmark MS610 75
  - Lexmark MS617 75
  - Lexmark MS621 42
  - Lexmark MS622 42
  - Lexmark MS631 8
  - Lexmark MS632 8
  - Lexmark MS639 8
  - Lexmark MS710 61
  - Lexmark MS711 61
  - Lexmark MS725 33
  - Lexmark MS810 61
  - Lexmark MS811 61
  - Lexmark MS812 61
  - Lexmark MS817 61
  - Lexmark MS818 61
  - Lexmark MS821 33
  - Lexmark MS822 33
  - Lexmark MS823 33
  - Lexmark MS825 33
  - Lexmark MS826 33
  - Lexmark MS911 58
  - Lexmark MX310 73
  - Lexmark MX317 73
  - Lexmark MX321 43
  - Lexmark MX331 16
  - Lexmark MX410 73
  - Lexmark MX417 73
  - Lexmark MX421 43
  - Lexmark MX431 16
  - Lexmark MX432 16
  - Lexmark MX510 73
  - Lexmark MX511 73
  - Lexmark MX517 73
  - Lexmark MX521 43
  - Lexmark MX522 43
  - Lexmark MX610 72
  - Lexmark MX611 72
  - Lexmark MX617 72
  - Lexmark MX622 45
  - Lexmark MX710 66
  - Lexmark MX711 66
  - Lexmark MX717 66
  - Lexmark MX718 66
  - Lexmark MX721 37
  - Lexmark MX722 37
  - Lexmark MX725 37
  - Lexmark MX810 Series 68
  - Lexmark MX822 40
  - Lexmark MX826 40
  - Lexmark MX910 series 58
  - Lexmark MX931 23
  - Lexmark T650-Series 85
  - Lexmark W850 and X860de 87
  - Lexmark X546dtn 76
  - Lexmark X650 Series 88
  - Lexmark X658e 90
  - Lexmark X730 Series 90
  - Lexmark X740 Series 92
  - Lexmark X762e 100
  - Lexmark X772e 101
  - Lexmark X782e 101
  - Lexmark X792 93
  - Lexmark X925 94
  - Lexmark X950 Series 95
  - Lexmark XC2132 69
  - Lexmark XC2235 31
  - Lexmark XC2326 28
  - Lexmark XC4140 52
  - Lexmark XC4143 52
  - Lexmark XC4150 52
  - Lexmark XC4153 52
  - Lexmark XC4240 31
  - Lexmark XC6152 55
  - Lexmark XC6153 55
  - Lexmark XC8155 56
  - Lexmark XC8160 56
  - Lexmark XC8163 56
  - Lexmark XC9235 48
  - Lexmark XC9245 48
  - Lexmark XC9255 48
  - Lexmark XC9265 48
  - Lexmark XC9325 23
  - Lexmark XC9335 23
  - Lexmark XC9445 20
  - Lexmark XC9455 20
  - Lexmark XC9465 20
  - Lexmark XM1145 73
  - Lexmark XM1242 43
  - Lexmark XM1246 43
  - Lexmark XM1342 16
  - Lexmark XM3142 16
  - Lexmark XM3150 72
  - Lexmark XM3250 45
  - Lexmark XM5163 66
  - Lexmark XM5170 66
  - Lexmark XM5365 37
  - Lexmark XM5370 37
  - Lexmark XM7355 40
  - Lexmark XM7355b 40
  - Lexmark XM7370 40
- O**
- optional tray
    - part number 3051710 76
  - options
    - configuration 58
- P**
- printer
    - Lexmark C546dtn 76
    - Lexmark C730 Series 77
    - Lexmark C740 Series 78
    - Lexmark C760 100
    - Lexmark C762 100
    - Lexmark C772 101
    - Lexmark C792 79
    - Lexmark C925 80
    - Lexmark MS911 58
    - Lexmark MX810 Series 68
    - Lexmark MX910 series 58
    - Lexmark W850 and X860de 87
    - Lexmark X546dtn 76
    - Lexmark X650 Series 88
    - Lexmark X658e 90
    - Lexmark X730 Series 90
    - Lexmark X762e 100
    - Lexmark X772e 101
    - Lexmark X782e 101
    - Lexmark X792 93
    - Lexmark X925 94
    - Lexmark X950 Series 95
  - printer stand
    - part number 16N1708 100, 101
    - part number 40C2300 98
    - part number 24Z0031 80, 94
  - printers
    - Lexmark C782 101

**S**

scanner shelf

part number 10B1755 100

part number 21J0050 103

part number 21J0055 101

swivel cabinet

part number 3052765 88, 90

part

number 3052765 77, 78, 92