



# Popieriaus ir specialiųjų laikmenų vadovas

---

Lazeriniai spausdintuvai

2024 m. birželio mėn.

**Ši dalis netaikoma šalims, kuriose tokios nuostatos yra nesuderinamos su vietos teisės aktais:** „LEXMARK INTERNATIONAL, INC.“ ŠI LEIDINIŲ PATEIKIA „KAIP YRA“, BE JOKIOS GARANTIJOS, NEI KONKREČIAI IŠREIKŠTOS, NEI NUMANOMOS, ĮSKAITANT, BET NEAPSIRIBOJANT, NUMANOMAS PERKAMUMO ARBA TINKAMUMO TAM TIKRAM TIKSLUI GARANTIJAS. Kai kurios šalys tam tikriems sandoriams neleidžia apriboti atsakomybės už konkrečiai išreikštas ar numanomas garantijas; todėl šis pareiškimas jums gali būti netaikomas.

Šiame leidinyje gali būti techninių netikslumų ar tipografinių klaidų. Jame pateikiama informacija kartkartėmis keičiama; šie pakeitimai bus įtraukti į vėlesnius leidimus. Aprašyti gaminiai arba programos bet kada gali būti patobulinti arba pakeisti.

Šiame leidinyje nurodyti gaminiai, programos ar paslaugos nereiškia, kad gamintojas numato, jog jie bus prieinami visose šalyse, kuriose jis vykdo veiklą. Bet kokio gaminio, programos ar paslaugos nurodymas nereiškia, kad galima naudoti tik tą gaminį, programą ar paslaugą. Vietoj jų gali būti naudojamas bet kuris funkciškai lygiavertis gaminys, programa arba paslauga, nepažeidžiantys esamos intelektualinės nuosavybės teisės. Už naudojimo kartu su kitais gaminiais, programomis ar paslaugomis, išskyrus tuos, kuriuos gamintojas aiškiai įvardija, vertinimą ir patikrą atsako naudotojas.

Norėdami gauti „Lexmark“ techninę pagalbą, eikite į <http://support.lexmark.com>.

Norėdami gauti informacijos apie „Lexmark“ privatumo politiką, reglamentuojančią šio produkto naudojimą, eikite į [www.lexmark.com/privacy](http://www.lexmark.com/privacy).

Norėdami gauti informacijos apie eksploatacinius reikmenis ir atsisiuntimus, eikite į [www.lexmark.com](http://www.lexmark.com).

© „Lexmark International, Inc.“, 2016 m.

Visos teisės saugomos.

#### **GALUTINIAI NAUDOTOJAI IŠ VYRIAUSYBINIŲ INSTITUCIJŲ**

Programinės įrangos programa ir bet kokie susiję dokumentai yra „Komerčinės prekės“, kaip šis terminas yra apibrėžtas Jungtinių Valstijų Federalinių teisės aktų kodekso (C.F.R.) 48 antraštinės dalies 2.101 skirsnyje, „Kompiuterių programinė įranga“ ir „Komerčinės kompiuterių programinės įrangos dokumentai“, kaip šie terminai naudojami atitinkamai C.F.R. 48 antraštinės dalies 12.212 skirsnyje arba C.F.R. 48 antraštinės dalies 227.7202 skirsnyje. Pagal C.F.R. 48 antraštinės dalies 12.212 skirsnyje arba atitinkamus C.F.R. 48 antraštinės dalies 227.7202-1 – 227.7207-4 skirsnius Komerčinė kompiuterių programinė įranga ir Komerčinės programinės įrangos dokumentai pagal licenciją JAV galutiniams naudotojams iš vyriausybinių institucijų yra suteikiami (a) tik kaip Komerčinės prekės ir (b) tik su tomis teisėmis, kurios yra suteikiamos visiems kitiems galutiniams naudotojams pagal šio dokumento sąlygas.

#### **Prekių ženklai**

„Lexmark“ ir „Lexmark“ logotipas yra „Lexmark International, Inc.“ prekių ženklai arba registruotieji prekių ženklai JAV ir (arba) kitose šalyse.

Visi kiti prekių ženklai yra jų atitinkamų savininkų nuosavybė.

# Turinys

<b>Įvadas.....</b>	<b>5</b>
<b>Dizaino veiksniai, į kuriuos reikia atsižvelgti perkant popierių.....</b>	<b>7</b>
Paper industry overview.....	7
Paper design factors.....	7
<b>Popieriaus pasirinkimo ir naudojimo gairės.....</b>	<b>12</b>
Popierius.....	12
Perdirbtas popierius.....	14
Kartoninis popierius.....	15
Vokai.....	17
Etiketės.....	18
Troubleshooting.....	28
Skaidrės.....	28
Netinkamas popierius.....	29
Perdirbto popieriaus naudojimas.....	29
Popieriaus laikymas.....	29
<b>Konkreto spausdintuvo popieriaus palaikymas.....</b>	<b>31</b>
„Lexmark“ spausdintuvai ir daugiafunkciai spausdintuvai CS963, CX833, CX961, CX962, CX963, XC8355, XC9635, XC9645, XC9655.....	31
„Lexmark“ spausdintuvai ir daugiafunkciai spausdintuvai C2335, CS531, CS632, CS639, CX532, CX635, XC2335.....	74
„Lexmark“ spausdintuvai ir daugiafunkciai spausdintuvai M3350, MS531, MS631, MS632, MS639, MX532, MX632, XM3350.....	81
„Lexmark“ spausdintuvai ir daugiafunkciai spausdintuvai C4342, C4352, CS730, CS735, CS737, CX730, CX735, CX737, XC4342, XC4352.....	85
„Lexmark“ spausdintuvai ir daugiafunkciai spausdintuvai B3340, B3442, M1342, MB3442, MS331, MS431, MS439, MX331, MX431, MX432, XM1342, XM3142.....	92
„Lexmark“ daugiafunkciai spausdintuvai MX931, CX930, CX931, XC9325, XC9335.....	95
„Lexmark“ spausdintuvai ir daugiafunkciai spausdintuvai CS943, CX942, CX943, CX944, XC9445, XC9455, XC9465.....	109
„Lexmark“ spausdintuvai ir daugiafunkciai spausdintuvai C2326, CS431, C3426, CS439, CX431, MC3426, XC2326.....	150
Lexmark CS331, CX331, C3224, C3326, MC3224, MC3326 spausdintuvai ir MFP.....	153
Lexmark B2236 spausdintuvas ir MB2236 MFP.....	156

---

„Lexmark“ spausdintuvai ir daugiafunkciai spausdintuvai C2240, C2325, C2425, C2535, CS421, CS521, CS622, CX421, CX522, CX622, CX625, MC2325, MC2425, MC2535, MC2640, XC2235, XC4240.....	159
Lexmark MS725 spausdintuvas ir MX725 MFP.....	164
Lexmark B2865, M5255, M5270, MS821, MS822, MS823, MS825, MS826 spausdintuvai..	171
„Lexmark“ daugiafunkciai spausdintuvai MB2770, MX721, MX722, XM5365, XM5370.....	180
„Lexmark“ daugiafunkciai spausdintuvai MX822, MX826, XM7355, XM7370.....	185
Lexmark B2338, B2442, B2546, B2650, M1242, M1246, M3250, MS321, MS421, MS521, MS621, MS622 spausdintuvai.....	193
„Lexmark“ daugiafunkciai spausdintuvai MB2338, MB2442, MX321, MX421, XM1242.....	197
„Lexmark“ daugiafunkciai spausdintuvai MB2546, MB2650, MX521, MX522, MX622, XM1242, XM1246, XM3250.....	201
„Lexmark“ spausdintuvai ir daugiafunkciai spausdintuvai C9235, CS921, CS923, CS927, CX921, CX922, CX923, CX924, CX927, XC9225, XC9235, XC9245, XC9255, XC9265.....	205
„Lexmark“ spausdintuvai ir daugiafunkciai spausdintuvai C6160, CS820, CS827, CX820, CX825, CX827, CX860, XC6152, XC6153, XC8155, XC8160, XC8163.....	214
„Lexmark“ spausdintuvai ir daugiafunkciai spausdintuvai C4150, CS720, CS725, CS727, CS728, CX725, CX727, XC4140, XC4143, XC4150, XC4153.....	221
<b>Žodynėlis.....</b>	<b>226</b>

# Įvadas

Šiame dokumente pateikiamos gairės, padėsiančios pasirinkti tinkamas spausdinimo medžiagas šiems lazeriniams spausdintuvams.

Serija	Spausdintuvų modeliai
B serija	B2236, B2338, B2442, B2546, B2650, B2865, B3340, B3442
C serija	C2240, C2325, C2335, C2326, C2425, C2535, C3224, C3326, C3426, C4150, C4342, C4352, C6160, C9235, CS331, CS421, CS431, CS439, CS521, CS531, CS622, CS632, CS639, CS720, CS725, CS727, CS728, CS730, CS735, CS737, CS820, CS827, CS921, CS923, CS927, CS943, CS963, CX331, CX421, CX431, CX522, CX532, CX622, CX625, CX635, CX725, CX727, CX730, CX735, CX737, CX820, CX825, CX827, CX833, CX860, CX921, CX922, CX923, CX924, CX927, CX930, CX931, CX942, CX943, CX944, CX961, CX962, CX963
M serija	M1242, M1246, M1342, M3250, M3350, M5255, M5270, MB2236, MB2338, MB2442, MB2546, MB2650, MB2770, MB3442, MC2325, MC2425, MC2535, MC2640, MC3224, MC3326, MC3426, MS321, MS331, MS421, MS431, MS439, MS521, MS531, MS621, MS622, MS631, MS632, MS639, MS725, MS821, MS822, MS823, MS825, MS826, MX321, MX331, MX421, MX431, MX432, MX521, MX522, MX532, MX622, MX632, MX721, MX722, MX725, MX822, MX826, MX931
X serija	XC2235, XC2240, XC2326, XC2335, XC4140, XC4143, XC4150, XC4153, XC4240, XC4342, XC4352, XC6152, XC6153, XC8155, XC8160, XC8163, XC8355, XC9225, XC9235, XC9245, XC9255, XC9265, XC9325, XC9335, XC9445, XC9455, XC9465, XC9635, XC9645, XC9655, XM1242, XM1246, XM1342, XM3142, XM3250, XM3350, XM5365, XM5370, XM7355, XM7370

Čia pateikta informacija pakeičia kitą informaciją, susijusią su popieriumi, kartonu, etiketėmis ir specialia spausdinimo medžiaga, pateikta su spausdintuvu.

Šiame dokumente ne tik pateikiamos specialios spausdintuvo popieriaus rekomendacijos, bet ir paaiškinami dizaino veiksniai, į kuriuos reikia atsižvelgti perkant visų tipų spausdinimo medžiagas. Pramonės terminų apibrėžtis žr. [„Žodynelis“ 226 puslapyje](#). Jei turite konkrečių atsargų ar dizaino klausimų, kreipkitės į savo spausdinimo medžiagų tiekėją. Techninės pagalbos kontaktinius numerius rasite spausdintuvo registracijos kortelėje arba apsilankykite [tarptautinio palaikymo kontaktų kataloge](#).

**Pastaba:** Prieš pirkdami didelius kiekius, visada kruopščiai išbandykite spausdinimo medžiagą. Taip išvengsite netikėtų spausdinimo problemų.

## Dokumentų pakeitimų istorija

Data	Pakeitimai
2024 m. birželio mėn.	Pridėta šių produktų palaikymo informacija: CS963, CX961, CX962, CX963, XC8355, XC9635, XC9645, XC9655.
2023 m. balandžio mėn.	Pridėta šių produktų palaikymo informacija: C2335, CS531, CS632, CS639, CS737, CX532, CX635, CX737, M3350, MS531, MS631, MS632, MS639, MX532, MX632, XC2335, XM3350.
2022 m. spalio mėn.	Pridėta šių produktų palaikymo informacija: MX432, XM3142.
2022 m. gegužės mėn.	Pridėta šių produktų palaikymo informacija: CS943, CX930, CX931, CX942, CX943, CX944, MX931, XC9325, XC9335, XC9445, XC9455, XC9465.
2022 m. vasario mėn.	Pridėta šių produktų palaikymo informacija: C4342, C4352, CS730, CS735, CX730, CX735, XC4342, XC4352.
2021 m. sausio mėn.	Pridėta šių produktų palaikymo informacija: C2326 M1342 XM1342 XC2326.

Data	Pakeitimai
2020 m. gegužės mėn	Pridėta šių produktų palaikymo informacija: CS439, MS439, XC4143, XC4153, XC6153, XC8163.
2020 m. kovo mėn	Pridėta šių produktų palaikymo informacija: B3340, B3442, C3426, CS431, CX431, MB3442, MC3426, MS331, MS431, MX331, MX431.
2019 m. liepos mėn	Pridėta šių produktų palaikymo informacija: CS331, CX331, C3224, C3326, MC3224, MC3326.
2019 m. vasario mėn	Pridėta šių produktų palaikymo informacija: B2236 ir MB2236.
2018 m. birželio mėn	Pridėta šių produktų palaikymo informacija: B2865, C2240, C2325, C2425, C2535, CS421, CS521, CS622, CX421, CX522, CX622, CX625, MC2325, MC2425, MC2535, MC2640, M5255, M5270, MB2770, MS725, MS821, MS822, MS823, MS825, MS826, MX721, MX722, MX725, MX822, MX826, XC2235, XC2240, XC4240, XM5365, XM5370, XM7355, XM7370.
2018 m. balandžio mėn	Pridėta šių produktų palaikymo informacija: B2338, B2442, B2546, B2650, M1242, M1246, M3250, MB2338, MB2442, MB2546, MB2650, MS321, MS421, MS521, MS621, MS622, MX321, MX421, MX521, MX522, MX622, XM1242, XM1246, XM3250.
2017 m. rugpjūčio mėn	Pridėta šių produktų palaikymo informacija: C9235, CS921, CS923, CS927, CX921, CX922, CX923, CX924, CX927, XC9225, XC9235, XC9245, XC9255, XC9265.
2016 m. rugsėjo mėn.	Pirminis šių produktų dokumento leidimas: C4150, C6160, CS720, CS725, CS727, CS728, CS820, CS827, CX725, CX727, CX820, CX825, CX827, CX860, XC4140, XC4150, XC6152, XC8155, XC8160.

# Dizaino veiksniai, į kuriuos reikia atsižvelgti perkant popierių

## Paper industry overview

The paper and label industry includes manufacturers, converters, and distributors.

- *Manufacturers* produce the base stock. If the base is for labels, then manufacturers may ship it on large rolls or in a cut-sheet form.
- *Converters* take the base stock and convert it into cut-sheet products. Converters may work from rolls with or without the adhesive applied. They may also take a base stock and convert it to meet their customer specifications.

The conversion process includes, but is not limited to, cutting the stock to size, perforating the stock, die-cutting, and applying inks and topcoats. Converters work with their customers to convert the base material into a cut-sheet product designed for use in laser printers.

- *Distributors* are generally the direct link to the customer.

As needs and prices change, distributors may work with different converters and converters may work with different manufacturers. Most businesses follow accepted industry conventions, but specifications, standards, formulations, and processes may vary with time or with different companies.

As a result, labels or paper that worked well in the past may suddenly create printing problems because of a change in material or process.

Some large businesses perform all three functions, from manufacturing to distribution. These companies may offer greater expertise and product consistency than companies that concentrate on one facet of the process.

Some paper manufacturers have a website where you can obtain more detailed information on the paper you are interested in using.

## Paper design factors

Print materials have measurable characteristics that you need to consider when selecting or designing forms for your particular application.

### Basis weight

*Basis weight* is a term used to describe the weight in pounds of 500 sheets of paper (one ream). However, the standard paper size determines the weight, which may not be the purchased size. Therefore, the basis weights are not always easily comparable. An example would be the standard size of 20-lb bond paper, which is 17 x 22 inches, and one ream that weighs 20 pounds. If the paper was cut, creating four reams of 8.5 x 11-inch paper, then each ream would be labeled 20-lb bond paper but would only weigh five pounds.

If the same paper weighed 24 pounds, it would be called 24-lb bond. The 24-lb bond paper is thicker, heavier, and more dense than the 20-lb bond. Thicker paper means that less paper can be placed in a tray. Paper that is heavier and more dense may cause paper jams or feed reliability problems in some printers. To verify that the paper basis weight being used is acceptable, see the supported paper weights table in [„Konkretaus spausdintuvo popieriaus palaikymas“ 31 puslapyje](#).

Not all basis weights are related to the same standard sheet size. For example, a 70-lb material can be lighter than 40-lb material if it is based on larger base size paper. The metric measurement of grams per square meter ( $\text{g/m}^2$ ) is a more consistent way to compare weights and has been standardized by the International Organization for Standardization (ISO).

Your printer can accept a wide range of stock weights, but materials either too light or too heavy can cause printing problems. Heavy and thicker materials may not heat quickly enough in the fuser, resulting in poor print quality. They may also feed less reliably or skew due to their weight or rigidity. Conversely, lighter materials can wrinkle and jam in the printer due to low beam strength (stiffness).

Use the following table to compare the weights of various types of media.

Metric equivalent ( $\text{g/m}^2$ )	Basis weight (lb/ream)					
	Bond 431.8 x 558.8 mm (17 x 22 in.)	Offset 635 x 965.2 mm (25 x 38 in.)	Cover 508 x 660.4 mm (20 x 26 in.)	Printing Bristol 571.5 x 889 mm (22.5 x 35 in.)	Index Bristol 647.7 x 774.7 mm (25.5 x 30.5 in.)	Tag 609.6 x 914.4 mm (24 x 36 in.)
60	16	40	18	23	33	37
75	20	51	28	34	42	46
80	21	51	30	36	44	49
90	24	61	33	41	50	55
100	27	68	37	46	55	62
110	29	74	41	50	61	68
120	32	81	44	55	66	74
145	39	98	54	66	80	89
160	43	108	59	73	88	98
175	47	118	65	80	97	108
200	53	135	74	91	111	123
215	57	145	80	98	119	132
255	68	172	94	116	141	157
260	69	176	96	119	144	160
300	80	203	111	137	166	184

Card stock weights may vary  $\pm 5\%$ .

Depending on the orientation of the stock as it feeds through the printer, you may need to request that heavier materials be cut grain short or grain long to provide flexibility in paper path turns.

For more information about the weights your printer supports, see the individual printer specifications in this document.

## Dimensions

All printers have print material dimension limitations. For more information, see the printer documentation. You can sometimes redesign your printed output to overcome these limitations. For example, if your document is shorter than the minimum length supported by the printer, then you can place two documents on a single sheet.



## Environment

Lexmark printers meet or exceed all industry emission regulations and standards. Continuous printing on some paper types or other media may create fumes that are not a problem with occasional printing. Make sure that your printer is located in a well-ventilated area.

Temperature and humidity can have a major impact on printing. Even small changes (such as from day to night) can greatly affect feed reliability when the print material is just within the range of acceptability.

We recommend that you condition stock while it is still in the original wrapper. Store the stock in the same environment as the printer for 24 to 48 hours before printing to let the stock stabilize at the new conditions. You may need to extend this time by several days when the storage or transportation environment is very different from the printer environment. Thick stock also requires a longer conditioning period because of the mass of the material.

If you remove the wrapper from the stock before you are ready to load it in the printer, the stock develops uneven moisture content causing the stock to curl. Before loading, we recommend the curl not to exceed 3 mm (0.125 in.). Lighter materials, such as paper labels and some integrated forms, are more likely to have printing problems if curl is present.

Most label manufacturers recommend printing in a temperature from 18–24°C (65–75°F) with relative humidity of 40–60 percent. Lexmark printers are designed to operate in a temperature range of 15.5–32°C (60 to 90°F) with relative humidity of 8 to 80 percent. Printing in an environment outside these recommendations may cause jams, feeding problems, reduced print quality, and predisping (peeling) labels.

## Preprinted inks

Preprinted stock introduces semiliquid and volatile components to the high temperatures and pressure used in the laser printing process. Preprinted inks and colorations withstand a fuser temperature up to 225°C (437°F) and a pressure up to 25 psi without contaminating the printer or creating hazardous fumes.

We do not recommend thermography ink. Thermography inks have a waxy feel, and the printed image appears raised above the surface of the print material. These inks can melt and damage the fuser assembly.

Preprinted inks must also be abrasion-resistant to reduce ink dust and ink contamination in the printer. If you are printing over a preprinted area, the ink must be receptive to toner to ensure adequate fusing.

All preprinted inks must be thoroughly dry before using printed materials. However, we do not recommend using offset powders or other foreign materials to speed drying. To determine whether the ink is compatible with printers that heat the ink to 225°C (437°F), see your ink converter, manufacturer, or vendor.

## Perforations and die-cuts

If a perforation exists, the perforation line should stop 1.6 mm (0.06 in.) from each edge of the form. Doing so avoids separating the form in the printer path, resulting in a jam. The location of the perforation affects initial pick strength. Perforations closer to the edge may increase the number of jams. For pressure-sensitive materials such as labels, minimize the number of perforations that go through the backing material or liner.

Perforations should be ironed so the print material lies flat, reducing nesting of forms. Edges should be smooth and clean with no roll-over. *Laser-perfs* (also known as *micro-perfs* or *data-perfs*) provide greater stability and are preferred. These smaller perforations do not normally nest or create excessive paper dust and debris. Make sure that the paper chaff and dust created during the conversion process are removed before packaging.

If perforations *tent*, or crease at the perforation line, the perfs may break, causing a paper jam. Tenting may increase skew, cause double-sheet feeding, or smear the toner on the print material before fusing, resulting in poor print quality. To reduce tenting, use micro-perfs. If the print material is lightly snapped as it moves through the printer, the perforations should hold without breaking.

*Die-cutting* is used to create shapes in a label or a card stock design. When designing labels, round all corners to prevent delamination of the labels, and avoid cuts through the liner (anvil cuts). Back splits and pop-out windows are also not recommended.

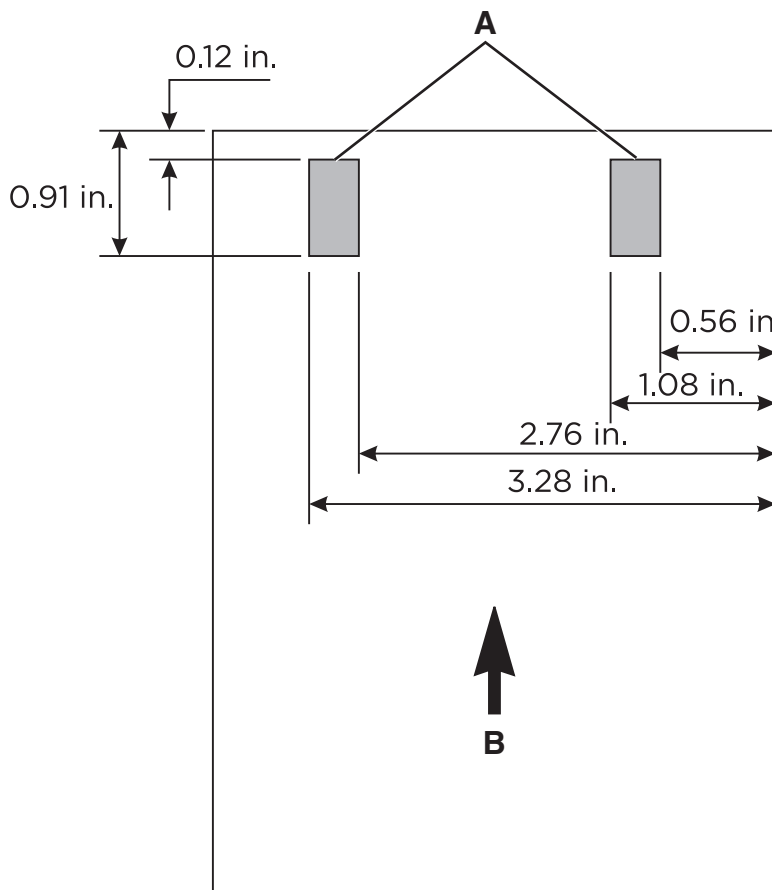
If perforations or die-cuts are part of the design of the print material, ties are recommended. These small uncut areas (approximately 1.6 mm or 0.06 in.) help stabilize the form and prevent tearing at perforations and die-cuts during printing.

For areas with die-cuts or perforations that intersect or create a small end product, ties on the corners of the design provide added stability. Ties may be located anywhere along perforations or die-cuts. For pressure-sensitive products, ties help prevent the labels from peeling off the liner while in the printer. Ties cannot be used to compensate for inadequate release strength of the adhesive in label designs.

## **Pick roller technology**

Some printers have a pick roller assembly that feeds paper more reliably than the corner buckler system used by earlier printer models. The assembly has two rollers that touch the media paper. Avoid placing deep perforations in these areas since the paper may nest, causing multiple sheets to feed. Perforations that could cause nesting and tenting should fall outside the pick roller area on the leading edge of the paper. This is different from the 0.50-inch space we recommend leaving at the top of the form for printers with a corner buckler system. Use micro-perfs to avoid nesting problems.

Make sure that perforations fall outside the 0.12–0.91-inch area on the leading edge of the media.



<b>A</b>	Pick roller location
<b>B</b>	Feed direction

### Debossing and embossing

Avoid debossing and embossing materials. The use of these materials may lead to nesting and double-sheet feeds, and the fusing process significantly reduces the height of the raised image. Printing too close to embossments results in poor print quality and poor fuse grade.

### Metallics

We do not recommend using metallics in forms, whether in inks or other materials, due to their conductivity and their ability to bleed charge. This property can interfere with toner transfer and cause poor print quality.

### Basic form design

When designing forms, include a non-print area of 8.38 mm (0.33 in.) at the top and bottom of the form and 6.35 mm (0.25 in.) on both sides of the form.

In general, portrait orientation is the preferred layout, especially if you are printing bar codes. Choosing landscape orientation may cause the variations in paper path speed to produce spacing variations when printing bar codes.

# Popieriaus pasirinkimo ir naudojimo gairės

Rinkdamiesi popierių ir specialias laikmenas atsižvelkite į šiuos veiksnius:

- Pagrindinės medžiagos fizinės charakteristikos ir gamybos procesai priklauso nuo tiekėjo ir laikui bėgant gali keistis.
- Spausdinimo medžiagų kokybė taip pat gali turėti įtakos spausdintuvo patikimumui ir prastovoms.
- Prieš pateikdami didelį užsakymą išbandykite spausdinimo medžiagą, kad išvengtumėte brangių klaidų.
- Per trumpą laiką spausdinant daugybę kartono lapų, etikečių ar vokų, gali kilti spausdinimo problemų. Pavyzdžiui, nuolat spausdinant ant etikečių, gali tekti dažniau kreiptis į techninės priežiūros tarnybą. Spausdintuvo ritinėliai gali išspausti ant etikečių esančius klijus, kurie gali užteršti kitas spausdintuvo dalis.
- Daugelyje etikečių ir kartoninio popieriaus yra perforacijų arba iškirtimų, kurie gali būti abrazyviniai, jei nėra išlyginti.
- Paprastai specialios terpės gali turėti grubią dangą ir gali būti storesnės už popierių.

Tolesnėse skiltyse pateikiamos konkretaus popieriaus naudojimo gairės. Jei reikia informacijos apie spausdinimo pramonę ir popieriaus dizainą, žr. [„Dizaino veiksniai, į kuriuos reikia atsižvelgti perkant popierių“ 7 puslapyje](#).

## Popierius

**Pastaba:** Meniu Paper nustatykite popieriaus dydį, tipą, tekstūrą ir svorį, kad jis atitiktų į dėklus įdėtą popierių.

## Popieriaus naudojimo rekomendacijos

Naudokite tinkamą popierių, kad išvengtumėte jo strigčių ir užtikrintumėte sklandų spausdinimą.

- Visada naudokite naują, nepažeistą popierių.
- Prieš dėdami popierių sužinokite, ant kurios popieriaus pusės rekomenduojama spausdinti. Ši informacija paprastai nurodoma ant popieriaus pakuotės.
- Nenaudokite ranka nukirpto ar patrumpinto popieriaus.
- Nemaišykite popieriaus formatų, rūšių ir svorių tame pačiame dėkle; sumaišius, popierius užstringa.
- Nenaudokite kreidinio popieriaus, nebent jis yra skirtas būtent elektrofotografiniam spausdinimui.

## Paper characteristics

The following paper characteristics affect print quality and reliability. Consider these factors before printing on them.

### Weight

Trays can feed paper of varying weights. Paper lighter than 60 g/m<sup>2</sup> (16 lb) may not be stiff enough to feed properly, and may cause jams. For more information, see the “Supported paper weights” topic for your printer model.

## Curl

Curl is the tendency for paper to curl at its edges. Excessive curl can cause paper feeding problems. Curl can occur after the paper passes through the printer, where it is exposed to high temperatures. Storing paper unwrapped in hot, humid, cold, or dry conditions can contribute to paper curling before printing and can cause feeding problems.

## Smoothness

Paper smoothness directly affects print quality. If paper is too rough, toner cannot fuse to it properly. If paper is too smooth, it can cause paper feeding or print quality issues. We recommend the use of paper with 50 Sheffield points for color laser printers. For mono laser printers, use paper with 150–250 Sheffield points.

## Moisture content

The amount of moisture in paper affects both print quality and the printer ability to feed the paper correctly. Leave paper in its original wrapper until you use it. Exposure of paper to moisture changes can degrade its performance.

Before printing, store paper in its original wrapper for 24 to 48 hours. The environment in which the paper is stored must be the same as the printer. Extend the time several days if the storage or transportation environment is very different from the printer environment. Thick paper may also require a longer conditioning period.

## Grain direction

Grain refers to the alignment of the paper fibers in a sheet of paper. Grain is either *grain long* which runs the length of the paper, or *grain short* which runs the width of the paper. For recommended grain direction, see the “Supported paper weights” topic.

## Fiber content

Most high-quality xerographic paper is made from 100 percent chemically treated pulped wood. This content provides the paper with a high degree of stability, resulting in fewer paper feeding problems and better print quality. Paper containing fibers such as cotton can negatively affect paper handling.

## Selecting preprinted forms and letterhead

- Use grain long paper.
- Use only forms and letterhead printed using an offset lithographic or engraved printing process.
- Avoid paper with rough or heavily textured surfaces.
- Use inks that are not affected by the resin in toner. Inks that are oxidation-set or oil-based generally meet these requirements; latex inks might not.
- Print samples on preprinted forms and letterheads considered for use before buying large quantities. This action determines whether the ink in the preprinted form or letterhead affects print quality.
- When in doubt, contact your paper supplier.
- When printing on letterhead, load the paper in the proper orientation for your printer. For more information, see [„Konkretaus spausdintuvo popieriaus palaikymas“ 31 puslapyje](#).

## Perdirbtas popierius

Būdami įmone, kuri rūpinasi aplinkos apsauga, remiame perdirbto popieriaus, pagaminto būtent lazeriniams (elektrofotografiniams) spausdintuvams, naudojimą.

Nors negalima pateikti bendro pareiškimo, kad visą perdirbtą popierių galima tinkamai naudoti spausdintuvuose, mes nuolat išbandome popierių, kuris pasaulinėje rinkoje parduodamas kaip perdirbtas pagal matmenis supjaustytas kopijavimo popierius. Šie moksliniai bandymai atliekami kruopščiai ir sistemingai.

## Recycled paper guidelines

The following paper choice guidelines help alleviate the environmental impact of printing:

- Minimize paper consumption.
- Be selective about the origin of wood fiber. Buy from suppliers who carry certifications such as the Forestry Stewardship Council (FSC) or the Program for the Endorsement of Forest Certification (PEFC). These certifications guarantee that the paper manufacturer uses wood pulp from forestry operators that employ environmentally and socially responsible forest management and restoration practices.
- Choose the most appropriate paper for printing needs: normal 75 or 80 g/m<sup>2</sup> certified paper, lower weight paper, or recycled paper.

## Recycled paper characteristics

- Amount of post-consumer waste (tested up to 100 percent post-consumer waste content).
- Temperature and humidity conditions. (Testing chambers simulate climates from all over the world.)
- Moisture content. (Business papers should have low moisture: 4–5 percent.)
- Bending resistance and proper stiffness means optimum feeding through the printer.
- Thickness (impacts how much can be loaded into a tray).
- Surface roughness (measured in Sheffield units; impacts print clarity and how well toner fuses to the paper).
- Surface friction (determines how easily sheets can be separated).
- Grain and formation (impacts curling, which also influences the mechanics of how the paper behaves as it moves through the printer).
- Brightness and texture (look and feel).

## Environmental impact

Recycled papers are better than ever; however, the amount of recycled content in a paper affects the degree of control over foreign matter. And while recycled papers are one good path to printing in an environmentally responsible manner, they are not perfect. The energy required to de-ink and deal with additives such as colorants and glue often generates more carbon emissions than does normal paper production. However, using recycled paper enables better resource management overall.

We concern ourselves with the responsible use of paper in general, based on life cycle assessments of our products. To gain a better understanding of the impact of printers on the environment, we commissioned a few life cycle assessments. We found that paper was identified as the primary contributor (up to 80 percent) of carbon emissions caused throughout the entire life of a device (from design to end-of-life). The emission is due to the energy-intensive manufacturing processes required to make paper.

Thus, we seek to educate customers and partners on minimizing the impact of paper. Using recycled paper is one way. Eliminating excessive and unnecessary paper consumption is another. We are well equipped to help customers minimize printing and copying waste. In addition, we encourage purchasing paper from suppliers who demonstrate their commitment to sustainable forestry practices.

## Kartoninis popierius

*Kartoninis popierius* yra standi, kieta medžiaga, kuri skiriasi priklausomai nuo gamybos būdo. Popieriaus pluošto orientacija (grūdėjimo kryptis), drėgmės kiekis, storis, tekstūra ir kitos savybės gali labai paveikti spausdinimą. Išankstinis spausdinimas, perforacija, raukšlėjimas ir kitos formoms būdingos savybės taip pat gali turėti įtakos spausdinimui. Pavyzdžiui, išankstinio spausdinimo metu įvedami pusiau skysti, lakūs komponentai, kurie turi atlaikyti aukštą lazerinio spausdinimo temperatūrą. Dėl perforavimo ir raukšlėjimosi lapai gali susikabinti, todėl gali užstrigti popierius ir gali būti tiekiami du lapai tuo pačiu metu.

Paprastai rekomenduojame vieno sluoksnio konstrukciją iš 100 procentų chemiškai plaušytos medienos su veliūriniu apdaila. Prieš pirkdami didelius kartoninio popieriaus kiekius, būtinai spausdintuve išbandykite spausdinimo medžiagos pavyzdžius.

## Card stock guidelines

- Set the size, type, texture, and weight in the Paper menu to match the card stock loaded in the tray.
- Print samples on the card stock being considered for use before buying large quantities.
- Preprinting, perforation, and creasing may significantly affect the print quality and cause jams or other paper feed problems.
- Do not use preprinted card stock manufactured with chemicals that may contaminate the printer.
- Use grain short card stock when possible.
- Flex, fan, and align the card stock before loading.
- Do not use creased card stock. It may cause paper jams.
- Smoothness of 50 Sheffield points is optimal for color laser printers.
- Smoothness of 150–250 Sheffield points is optimal for mono laser printers.
- Do not use card stock that has offset powder on the surface.

## Kartoninio popieriaus ypatybės

### Weight

The weight of card stock significantly affects the print quality and feed reliability of the stock. For more information, see [„Basis weight“ 7 puslapyje](#).

Not all printers are able to print on cover stock. Cover stock is usually thicker and not able to make the turns in the printer paper path, resulting in paper jams and misfeeds. Also, when using a laser printer, toner is pulled onto the paper through an electrical charge. If the paper is too thick, then there may not be enough voltage to pull the toner onto the paper properly, resulting in poor print quality.

Depending on your printer model, material thicker than 0.30 mm (0.012 in.) may present feed reliability problems, and material thicker than 0.17 mm (0.007 in.) may reduce print quality. Contact your supplier to determine the weight of any card stock you currently use.

For more information about the card stock weights your printer supports, see the individual printer specifications in this document.

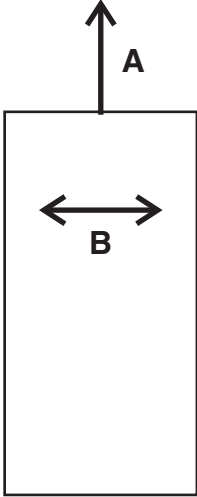
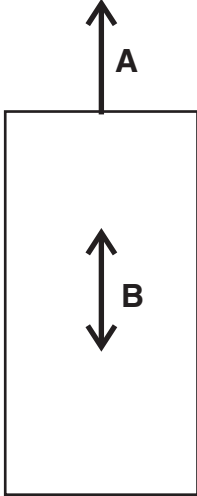
**Grain orientation**

*Grain* refers to the alignment of the paper fibers in a sheet of paper. Grain is either grain short, running the width of the paper, or grain long, running the length of the paper.

The orientation of the grain contributes to the rigidity of card stock and affects feed reliability. The recommended grain orientation depends on the weight of the card stock and whether the printer feeds the paper short edge first or long edge first. For lighter card stocks, we recommend grain long to reduce potential curl problems. Curl may decrease the ability of the form to move reliably through the printer.

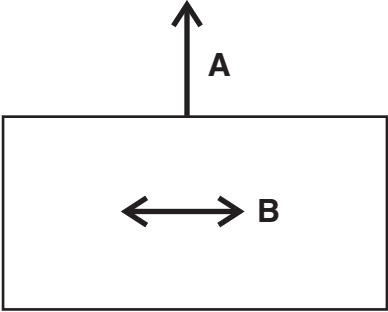
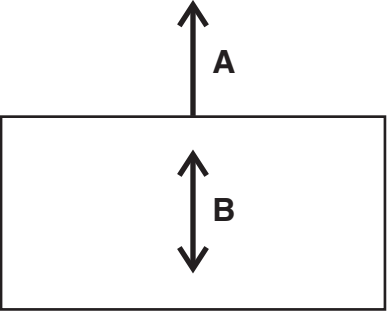
Most printers feed paper short edge first. If your printer supports larger paper sizes, such as 11 x 17 in. or A3, it may feed some paper sizes long edge first. For more information, see the documentation that came with your printer.

**For materials fed short edge first**

<p>Grain short is recommended for stock heavier than 135 g/m<sup>2</sup>.</p>	<p>Grain long is recommended for stock lighter than 135 g/m<sup>2</sup>.</p>
	
<p><b>A</b> Feed direction <b>B</b> Grain direction</p>	



**For materials fed long edge first**

Grain long is recommended for stock heavier than 135 g/m <sup>2</sup> .	Grain short is recommended for stock lighter than 135 g/m <sup>2</sup> .
	
<p><b>A</b> Feed direction  <b>B</b> Grain direction</p>	

For more information about the recommended grain direction for card stock, see [„Konkretaus spausdintuvo popieriaus palaikymas“ 31 puslapyje](#).

**Coatings**

Surface texture and coatings on card stock significantly affect toner adhesion (fuse grade), print quality, and feed reliability. We recommend a vellum finish for the best printing performance. We do not recommend glossy coatings and slick surfaces or surfaces that mimic laid finishes (glossy paper, not glossy card stock, is acceptable for some printers). Paper smoothness also affects print quality. If the paper is too rough, the toner does not fuse to the paper properly. If the paper is too smooth, it can affect feed reliability. We recommend smoothness to be from 50 to 300 Sheffield points (50 Sheffield is optimal) for color laser printers. For mono laser printers, we recommend 150–250 Sheffield points. Using media higher than 300 Sheffield could result in printing degradation.

For more information about the individual printer Sheffield recommendations, see [„Konkretaus spausdintuvo popieriaus palaikymas“ 31 puslapyje](#).

**Offset powders**

We do *not* recommend using offset powders or other foreign materials to speed drying. Offset powders are used by print shops to prevent printed pages from sticking together. Powder is usually sprayed on the printed page right before it reaches the stacker on the offset printing press. This powder provides an intermediate layer between two sheets of paper, preventing ink from transferring from one sheet to another.

**Vokai**

**Envelope guidelines**

- Set the paper size, type, texture, and weight in the Paper menu to match the envelopes loaded in the tray.
- Print samples on the envelopes being considered for use before buying large quantities.
- Use envelopes designed specifically for laser printers.
- For best performance, use envelopes made from 90 g/m<sup>2</sup> (24-lb) paper or 25 percent cotton.

- Use only new envelopes from undamaged packages.
- Adjust the guides to fit the width of the envelopes.
- Flex, fan, and align the sheets before loading.

**Pastaba:** A combination of high humidity (over 60 percent) and high printing temperature may wrinkle or seal envelopes.

## Optimizing envelope performance

To minimize jams, do not use envelopes that:

- Have an excessive curl or twist
- Are stuck together or damaged in any way
- Have windows, holes, perforations, cutouts, or embossing
- Have metal clasps, string ties, or folding bars
- Have an interlocking design
- Have postage stamps attached
- Have any exposed adhesive when the flap is sealed or closed
- Have bent corners
- Have rough, cockle, or laid finishes

For more information about envelope support for your printer, see [„Konkretaus spausdintuvo popieriaus palaikymas“ 31 puslapyje](#).

## Etiketės

*Etiketės* arba slėgiui jautrios medžiagos yra daugiasluoksnės medžiagos, kuriose yra įvairių priekinių lapų (spausdinamos medžiagos), klijų ir nuimamų apsauginių pagrindų (pamušalų) derinių. Dėl šių sluoksnių gali susidaryti storos medžiagos, kurias sunku tvarkyti.

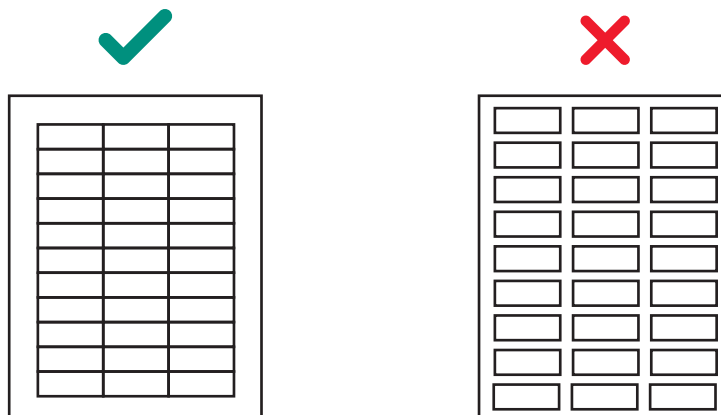
Etiketės yra vienos iš sudėtingiausių spausdinimo medžiagų spausdintuvui patikimai tiekti ir spausdinti. Tokie veiksniai, kaip karštis, slėgis ir popieriaus kelias, gali apsunkinti spausdinimą ant etikečių. Pavyzdžiui, kaitinimo procesui gali reikėti artimos 225 °C (437 °F) temperatūros ir 25 psi slėgio. Temperatūra skirtinguose spausdintuvuose skiriasi. Patikrinkite savo konkreto spausdintuvo skyrių. Sunki etikečių medžiaga gali sugerti šilumą, o tai turi įtakos dažų sukibimui ir spausdinimo kokybei, įvyksta delaminacija.

**Pastaba:** Įsitinkite, kad naudojate specialiai lazeriniam spausdintuvui skirtas etiketes, kad etiketės nenuluptų ar nesusisluoksniuotų.

## Label guidelines

- Set the paper size, type, texture, and weight in the Paper menu to match the labels loaded in the tray.
- Print samples on labels before buying large quantities.
- Use labels designed specifically for laser printers.
- Do not use labels with slick backing material.
- Do not use labels with exposed adhesive.

- Use full label sheets. Partial sheets may cause labels to peel off during printing, resulting in a jam. Partial sheets also contaminate the printer and the cartridge with adhesive, and could void the printer and toner cartridge warranties.
- Flex, fan, and align the label edges before loading.
- Use only label sheets that have no gaps between the labels.



- Do not print a large number of labels continuously.
- Do not use labels that have coating or sizing applied to make the labels liquid-resistant.
- Run labels only once through the printer as this may contaminate the printer.
- Load label sheets with the label end first.
- Use grain long paper instead of grain short paper, which tends to curl easily.

Review label designs with a converter or a vendor who has extensive knowledge about labels and laser printers to ensure that you are using the proper type of labels.

For more information about label support for your printer, see [„Konkretaus spausdintuvo popieriaus palaikymas“ 31 puslapyje](#).

## Label components

Labels are composed of three basic parts: the liner, the adhesive, and the face sheet. Labels may also have topcoats that affect printing. To prevent labels from peeling off, follow the recommended label design guidelines. Peeled off labels could cause jams. The label or adhesive could also melt when the sheet is jammed in the fuser. Choosing appropriate materials for each of these label components helps ensure reliable printing.

### Liners

The *liner*, also known as the carrier or backing, is the material onto which the label is attached. The liner carries the label through the printer and directly affects feed reliability. Liner weights and construction vary based on the printable face stock used. For more information, see [„Face sheet \(printable stock\)“ 21 puslapyje](#).

Tissue-backed, plain bond, or bond-like, porous, lay-flat liners are preferred. Liners constructed for use with high-speed laser printers (50 pages per minute or more) may not produce acceptable results.

A liner should bend easily and go back to its original flat state when released. Forms that remain bent may cause paper jams or damage to the edge of the sheet. This bent affects earlier printer models using a corner buckler rather than a pick roller assembly to separate the sheets.

Some liner materials used in pressure-sensitive constructions are called *label papers*. Label papers are either machine finish (MF) or English finish (EF) papers that are calendered, supercalendered, or coated on one side. An MF has varying degrees of surface smoothness. The number of times the paper passes through the rollers (wet or dry) during manufacturing determines the surface smoothness. An EF is uncoated and low gloss in appearance. Label papers may also be used as the face sheet for pressure-sensitive paper products, such as the materials used in dual web forms construction.

*Supercalendering* produces high gloss surfaces that may be slick. Some supercalendered liners are difficult for printers to pick and feed reliably. We do not recommend using supercalendered liners designed for high-speed laser printers (50 or more pages per minute).

Some pressure-sensitive constructions use kraft liners or bleached ones. Kraft liners are made from sulfate pulp and are MF or machine glazed (MG). Most MG papers have a high gloss appearance. High gloss, glazed surfaces may increase skew and are more difficult for the printer feed mechanism to handle reliably. Some kraft liners may produce acceptable results; however, we strongly recommend extensive testing of pressure-sensitive constructions using kraft liners.

Tissue-backed or plain bond liners reduce toner contamination inside the printer and improve feed performance. Slick, non-porous liners are harder to feed and increase toner buildup in the fuser and on the backup roll. Rough backings can increase paper path friction, which can cause skew and paper jams. The face material of the liner needs to have a melt temperature that can also withstand the fuser temperatures of nearly 225°C (437°F). A stripped area of a maximum of 3 mm (0.12 in.) can expose the face material to these temperatures and could cause melting or contamination in the fuser.

Excessive paper dust or chaff associated with the liner may affect print quality. If a liner produces excessive paper dust or chaff during conversion, then the debris may be packaged with the material and end up in the printer. These properties as they feed through the printer may also affect print quality. For more information about liners, see your label supplier.

## Adhesives

There are three basic types of label adhesives: removable, permanent, and semipermanent (cold temp). All types, with proper design, can be used with your printer. Acrylic-based adhesives are generally preferred for cut-sheet label printers.

The major adhesive-related printing problem is printer and cartridge contamination. The adhesives are semiliquid and may contain volatile components. If the sheet jams in the fuser, the adhesive can melt, contaminating parts of the printer or releasing fumes. To avoid exposing adhesive to the paper path guides, drive rollers, charge roller, photoconductor drum, transfer roller, and detack fingers, use full label sheets.

*Zone coating* means placing the adhesive only where needed. Paper labels and integrated forms typically use zone coating. In addition, a non-adhesive border of 1 mm (0.04 in.) around the outside edge of the label sheet generates good results. For more information about designing labels for your printer, see your adhesive manufacturer or label supplier.

A *stripped edge matrix* along the outer border of the stock, combined with adhesive that does not ooze, helps prevent adhesive contamination. This design requires a stiffer backing material to prevent damage when the sheet is aligned on the reference edge. Generally, vinyl and polyester labels are well-suited for this design. Paper and dual web designs may require testing to determine which backing produces good results.

Make sure that the release strength is adequate so labels stay attached to the liner and do not peel off in the printer. Adhesives should withstand pressures up to 25 psi and fuser temperatures of 225°C (437°F) without delaminating, creating hazardous fumes, or oozing around edges of labels, perforations, or die-cuts. Shear strength should be strong enough to prevent adhesive stringers. For more information, contact your label supplier.

### **Face sheet (printable stock)**

Paper, vinyl, and polyester are the most common materials used for printable stock. Printable stock must withstand temperature up to 225°C (437°F) and pressures up to 25 psi. For more information, see your label supplier.

Carefully test the printable stock to make sure that it functions satisfactorily with your printer.

### **Topcoats**

Topcoats for non-paper labels may be either water-based or solvent-based. Avoid topcoats containing chemicals that emit hazardous fumes when heated or exposed to pressure. Topcoats affect the print quality, feed reliability, and adhesion of toner to the face sheet. Topcoats should withstand temperatures up to 225°C (437°F) and pressures up to 25 psi for 100 milliseconds to prevent fuser damage.

Water-based topcoats tend to be more conductive than solvent-based topcoats and are more difficult to fuse. With some water-based topcoats and heavy liners, the fuse grade may fall below acceptable levels. Solvent-based topcoats tend to be lower in conductivity than water-based topcoats. With some solvent-based topcoats, fuse grade is within acceptable levels when heavier liners are used.

Print quality may degrade when using topcoats on labels with heavier liners. Using a lighter liner may reduce the appearance of splatter. Carefully test the labels to make sure the topcoat functions satisfactorily with your printer.

### **Label characteristics**

The materials used to construct labels have a wide range of properties that can affect printing. Volatile components are in the label materials and in the adhesive itself. We recommend that volatile emissions from the label, up to 160°C (320°F), should be a minimal amount. The volatile components, which have low boiling point, produce emissions when heated in the fuser and could emit vapors that can damage the printer.

Preprinted inks can also cause printer contamination, and may be present on one or both sides of the label sheet.

Before purchasing large quantities of labels, make sure that you extensively test the labels with your printer.

Labels with a stripped edge matrix do not have the area around the outer edge of the cut sheet. Labels with a total strip matrix do not have the die-cut stock around and between the labels. This property makes it easy to peel the labels from the backing.

Butt cut labels are cut flush to one another, with no extra area between them. Avoid using butt cut labels without a stripped edge matrix.

Die-cut labels are cut with a non-print area between each label. For best results, do not print within 2.3 mm (0.09 in.) of the edge of the label, of the perforations, or of the die-cuts of the label.

If you are using a butt cut or die-cut label, then make sure that adhesive contamination does not occur. Labels use varying levels and types of adhesive, and various liner materials and face stock papers. Adhesive can ooze from all label stocks. Make sure that die-cuts are free of adhesive stringers. To prevent adhesive contaminations, use zone coating or pattern adhesive with a non-adhesive border of about 1 mm (0.04 in.) or larger.

If zone coating is not used, then we recommend a stripped edge matrix. The stripped edge matrix varies with the type of face stock, liner, and adhesive materials. The following table shows the guidelines for stripped edge matrix.

**Pastaba:** Measurements may vary ± 0.5 mm.

Face type	Total weight of label	Edge matrix removal	Location of strip
Paper* (cut sheet or dual web)	140–180 g/m <sup>2</sup>	1.6 mm (0.0625 in.)	215.9 mm (8.5 in.) at leading edge 279.4 mm (11 in.) at driver edge (left margin side)
Vinyl	265–300 g/m <sup>2</sup>		
Polyester and other face materials	Varies		

\* Use a non-oozing adhesive.

Using cut sheet labels with adhesive applied to the edge of the sheet contaminates and voids your printer and cartridge warranties.

When using pressure-sensitive materials without zone coating, choose butt cut labels without any stringers and with a stripped edge matrix. If a total strip matrix is in the design for the final product, then print before removing the matrix. If the matrix must be removed before printing, then round all corners, making sure that adhesive is not exposed.

### Cut sheet paper labels

Generally, cut sheet paper labels work well with your printer.

Coating or sizing to make the paper liquid-resistant decreases toner adhesion and increases the risk of toner contaminating the fuser. At a minimum, paper labels should be equivalent in weight and rigidity to a 20-lb xerographic bond paper.

### Dual web forms

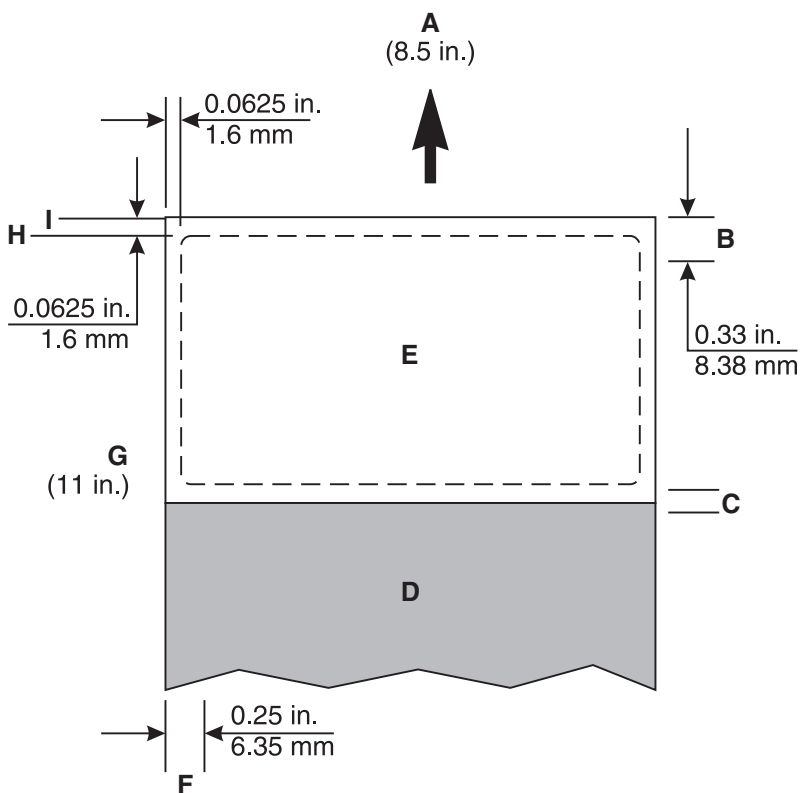
Constructing dual web forms involves joining rolls of two different materials (usually pressure-sensitive paper and bond paper) and then converting to a cut sheet product. This construction requires a stripped edge matrix. The liner must be rigid enough to withstand the pick force of the printer. The two materials must be thin enough for the sheet to lie flat in the paper tray. The differences in thickness may cause the materials to curl down toward the leading edge of the form which can negatively affect feeding.

We recommend that the leading label edge should be thicker than the dual web overlap to make sure that the sheet lies flat in the tray. The label should be placed with the label facedown in the tray. Orient the label in the tray so that the pressure-sensitive area feeds into the printer first. The label should have no adhesive exposed in the overlay area or anywhere along the front or back of the label.

We recommend designing a non-adhesive strip with a minimum width of 1 mm (0.04 in.) along the edges of the overlay. To help prevent material from slipping in the fuser, we recommend knurling, which roughens up the exposed silicon area at the glue joint.

The face sheet of a dual web form is usually a paper pressure-sensitive product; therefore, the guidelines for paper labels are applicable to dual web forms.

The following diagram shows the recommended dual web form design. The non-print area may vary depending on the printer model.



<b>A</b>	Leading edge
<b>B</b>	Non-print area
<b>C</b>	Overlay
<b>D</b>	Paper
<b>E</b>	Pressure-sensitive
<b>F</b>	Non-print area
<b>G</b>	Reference edge
<b>H</b>	Stripped edge
<b>I</b>	Liner edge

### Vinyl and polyester labels

Vinyl labels work well within specified design parameters. Vinyls are heat-sensitive, so the liners need to be thick enough to absorb excess heat and prevent melting. A total strip matrix may cause adhesive contamination. Thin liners or weak pull strength may lead to labels peeling off the label inside the printer, which requires printer servicing.

Materials, which have liner face melt temperatures lower than the fuser temperature, may require the leading and trailing edge stripped areas to be 1.6 mm maximum due to feeding problems. We recommend that the liner face is constructed with material that can withstand the fuser temperature, which eliminates changing the stripped areas from 3 mm to 1.6 mm.

When a 1.6-mm stripped area is used, it is very important that the 1.6-mm tolerance be held tightly. With a stripped area of less than 1.6 mm, it is highly possible that adhesive contamination will occur.

Vinyls are non-absorbing, which leads to toner buildup in the fuser that requires special maintenance. For more information about maintaining your printer, see the documentation that came with your printer. Vinyls may require a topcoat to ensure good toner adhesion. When you run vinyl labels, you may be required to install an oil fuser cleaner.

Polyester labels are less heat-sensitive but are also non-absorbing. Backings for polyester labels can be thinner, but requirements for coatings and cleaning are similar to vinyl labels.

## Integrated forms

To create integrated forms, the converter uses hot melt adhesives to apply the label adhesive and liner to a base material (generally paper).

Oil bleed, recognizable by a discolored face sheet, can be a problem with these forms. Oil may also migrate from the top to the back surface of the liner while it is on the roll, before the conversion process takes place. The forms may be slick, and the pick mechanism of your printer may be unable to move all the sheets from the tray into the printer. Jamming and misfeeds increase when oil is present on the back of the liner.

The adhesive on these forms is commonly patterned on two or four sides (a non-adhesive border on either two or four edges). We recommend designing a 1-mm (0.04-in.) non-adhesive border (zone coated) on all four edges.

When printing on integrated forms with a grain long base material, position the form in the tray so the paper portion of the form feeds into the printer first. Position the pressure-sensitive portion of the form toward the portrait left edge. For integrated forms with a grain short base material, position the form in the tray so the pressure-sensitive portion feeds into the printer first.

Due to the unique construction of integrated forms, you may experience stacking problems in the output bin. If you experience stacking problems with these forms, then contact your marketing representative.

**Pastaba:** Test some forms before purchasing large quantities.

## Printing on labels

Print on full label sheets only. Sheets with missing labels could peel off during printing and result in a paper jam. Partial sheets can also leave adhesive marks on the printer and cartridge, which could void the printer and cartridge service warranties.

Do not feed labels through the printer more than once. Doing so may contaminate the cartridge and other components with adhesive.

Depending on your printer model and the number of labels being printed, printing labels may require special printer maintenance. For more information about printing on labels, see [„Konkretaus spausdintuvo popieriaus palaikymas“ 31 puslapyje](#).



## Maintenance procedures

**Pastaba:** These procedures apply only to mono laser printers.

If print quality begins to degrade when printing on vinyl labels, then do the following:

- 1 Print on five sheets of paper.
- 2 Wait approximately five seconds.
- 3 Print on five more sheets of paper.

To maintain printer feeding reliability, repeat this cleaning process every time you replace the toner cartridge.

**Pastaba:** Failure to follow maintenance procedures for your printer could cause jams, poor print quality, feeding problems, and fuser problems.

## Duplexing labels

Labels are not typically duplexed because of their special construction. However, printing on both sides of the label sheet may be possible if certain design, construction, and usage guidelines are followed.

When developing a paper label for duplexing, the converter should make sure that the label is designed to protect against contamination or buildup. Contamination results in paper feed problems and jams.

We recommend the use of label sheets that have a non-adhesive border around the label area. Make sure that the release strength is enough to withstand temperatures of 225°C (437°F) and pressure up to 25 psi.

Use label ties as needed. These small uncut areas (approximately 1.6 mm or 0.06 in.) help stabilize the label sheet and prevent tearing at perforations and die-cuts during printing. Label ties also prevent labels from predisensing in the printer.

The slits and cuts in the labels expose the adhesives to the printer. For best results, position the label sheet so the slits and cuts are not aligned with the ribs in the duplex or redrive areas of the printer. Doing so eliminates any contact points between the label adhesive and the printer and prevents any adhesive contamination in the printer. For more information, see [„Primary rib pattern design guidelines for reference edge alignment“ 26 puslapyje](#).

Load label sheets with the label end first. Use grain long paper instead of grain short paper, which tends to curl easily.

If a converter develops a grain short label sheet for duplexing, then test the sheet first to make sure that it works satisfactorily.

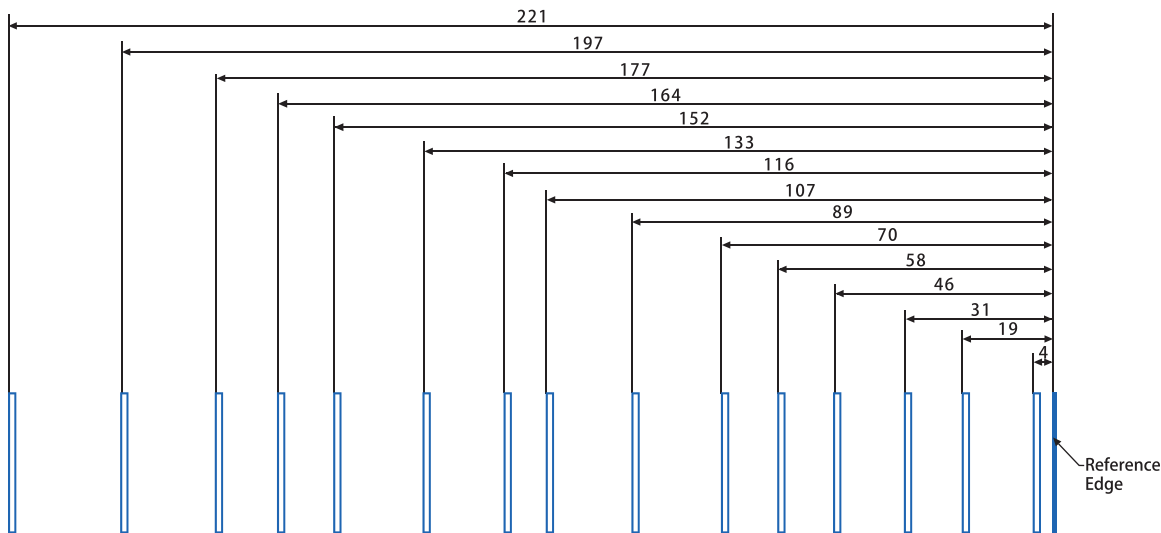
**Pastaba:** We recommend testing any material with your application and printer before purchasing large quantities.

To use the duplex label application, you may be required to install a fuser wiper. The wiper allows the printer to print on both sides of paper labels. To determine whether your printer requires a wiper, see [„Konkretaus spausdintuvo popieriaus palaikymas“ 31 puslapyje](#).

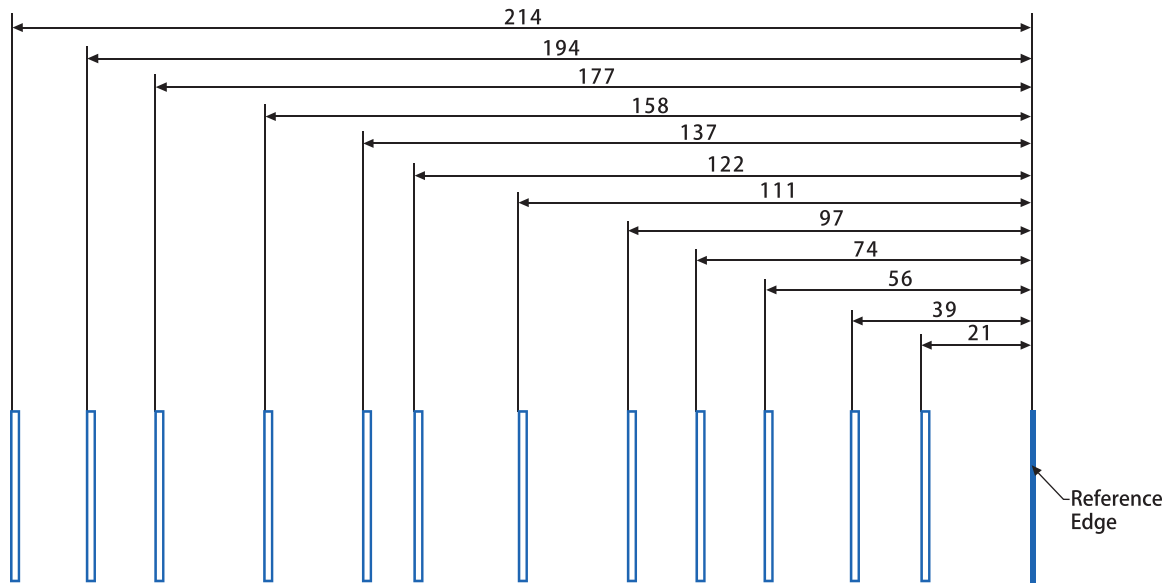
### Primary rib pattern design guidelines for reference edge alignment

- The function of the primary rib pattern is to provide the best support to the media during transport. If the media touches a certain surface, then that surface must contain the primary rib pattern.
- The feed path should guide the leading edge of the media into the primary guide surface and not the secondary surface. This alignment provides a determinate location for the leading edge of the media on the guide surface that provides the best support.
- The incidence angle of the leading edge of the media as it touches the primary guide surface should be no more than 30°. This angle eliminates media stubbing on the guides and reduces the amount of energy input into the media by the guide.
- The primary rib pattern is to have the rib support extending out to between 3 and 10 mm (0.12 and 0.40 in.) from the edge of the paper. For envelopes, the rib support should extend out between 2 and 10 mm (0.08 and 0.40 in.) from the edge of the envelopes. This rib support keeps the corners of the media stiff so that it cannot fold and catch other surfaces in the printer. It also prevents the corners of the media from catching the inside surface of a paper path rib.
- The primary rib pattern should not have any ribs closer than 3 mm (0.12 in.) to the outside edge of paper and envelopes. This rib allowance keeps the media from stubbing into a rib that is too close to the edge of the media.
- The maximum rib spacing of the primary rib pattern should not be greater than 20 mm (0.79 in.). The spacing keeps the leading edge of the media flat as it moves through the system.

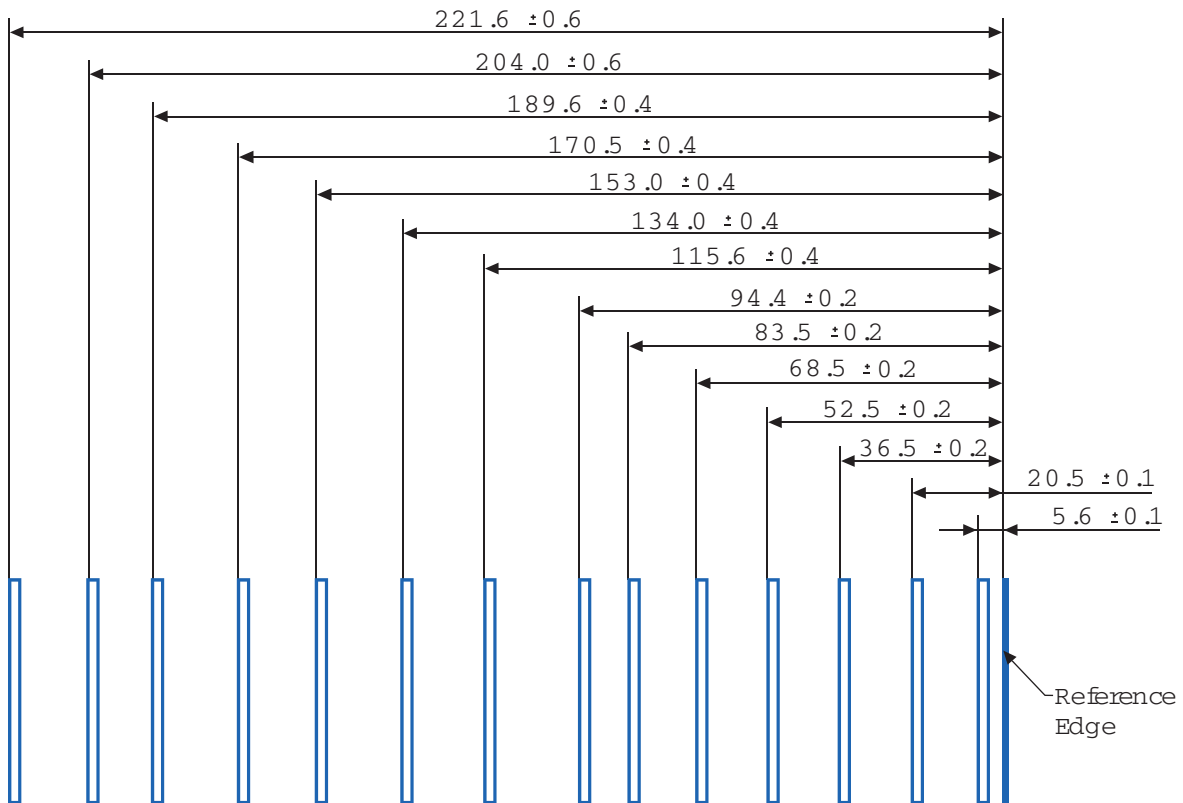
### Rib pattern for Lexmark C6160, CS820, CS827, CX820, CX825, CX827, CX860, XC6152, XC8155, XC8160



**Rib pattern for Lexmark C4150, C4342, C4352, CS720, CS725, CS727, CS728, CS730, CS735, CX725, CX727, CX730, CX735, XC4140, XC4150, XC4342, XC4352**



**Rib pattern for Lexmark B2865, M5255, M5265, M5270, MB2770, MS725, MS821, MS822, MS823, MS824, MS825, MS826, MX721, MX722, MX725, MX822, MX824, MX826, XM5365, XM5370, XM7355, XM7365, XM7370**



## Troubleshooting

The following table provides solutions to some common card stock and label problems. For more troubleshooting information, see your printer documentation.

Problem	Solution
Print on heavy stock is blurred or out of focus.	Make sure the Paper Type setting is correct for your print material. <b>Pastaba:</b> Card stock in excess of 203 g/m <sup>2</sup> (54-lb bond) may not produce acceptable print results.
	Print on five sheets of paper, wait for approximately five seconds, and then print five more sheets of paper to remove any toner that may have accumulated.
Toner rubs off the page.	Make sure the Paper Type setting is correct for your print material.
	Use material that is lighter than 300 g/m <sup>2</sup> .
	Print on five sheets of paper, wait for approximately five seconds, and then print five more sheets of paper to remove any toner that may have accumulated.
Printing shows voids.	Change the Paper Type to Plain Paper.
	Print on five sheets of paper, wait for approximately five seconds, and then print five more sheets of paper to remove any toner that may have accumulated.

## Skaidrės

### Transparency guidelines

**Pastaba:** Some printer models may not support transparencies.

- Set the size, type, texture, and weight in the Paper menu to match the transparencies loaded in the tray.
- Print a test page on the transparencies before buying large quantities.
- Use transparencies designed for laser printers.
- Avoid getting fingerprints on the transparencies to prevent print quality problems.
- Flex, fan, and align the sheets before loading. Doing so prevents them from sticking together.

### Optimizing transparency performance

- Print batches of up to 20 transparencies with an interval of at least three minutes between batches. Doing so prevents the transparencies from sticking together in the bin. You can also remove transparencies from the bin by batches of 20.
- Change the paper type to Transparency to lower the fuser temperature. The lower temperature prevents the transparencies from discoloring or melting.

For more information about transparency support for your printer, see [„Konkrečiau spausdintuvo popieriaus palaikymas“ 31 puslapyje](#).

## Netinkamas popierius

Spausdintuve nerekomenduojama naudoti šių popieriaus rūšių:

- chemiškai apdoroto popieriaus, naudojamo kopijoms be anglinio popieriaus. Jis taip pat vadinamas savaiminio kopijavimo popieriumi (CCP) arba neangliu popieriumi (NCR);
- iš anksto paruoštos formos popieriaus, kuriame naudojamos cheminės medžiagos, galinčios užteršti spausdintuvą;
- iš anksto paruoštos formos popieriaus, kurį gali paveikti spausdintuvo kaitintuvo temperatūra;
- iš anksto paruoštos formos popieriaus, kuriame reikia įrašo (tikslios spausdinimo vietos puslapyje), didesnio arba mažesnio nei  $\pm 2,3$  mm ( $\pm 0,09$  col.). Pavyzdžiui, optinio simbolių atpažinimo (OCR) formų. Kartais įrašą galima pakoreguoti programinės įrangos programa, kad būtų galima sėkmingai spausdinti ant šių formų;
- dengto popieriaus (nutrinamo standžiojo popieriaus), sintetinio popieriaus ar terminio popieriaus;
- popieriaus neapipjaustytais kraštais, šiurkščios ar sunkios tekstūros popieriaus arba glamžyto popieriaus;
- popieriaus, kuris neatitinka EN 12281:2002 standarto (Europoje);
- popieriaus, kuris sveria mažiau nei  $60 \text{ g/m}^2$  (16 sv.);
- kelių dalių formų ar dokumentų.

## Perdirbto popieriaus naudojimas

„Lexmark“ siekia sumažinti popieriaus poveikį aplinkai, suteikdama klientams galimybę rinktis spausdinant. Vienas iš būdų, kaip tai pasiekti, yra išbandyti gaminius, siekiant užtikrinti, kad būtų galima naudoti perdirbtą popierių, ypač popierių, pagamintą iš 30 %, 50 % ir 100 % po vartojimo perdirbtų medžiagų. Tikimės, kad perdirbtas popierius mūsų spausdintuvuose niekuo nenusileis pirminiam popieriui. Nors oficialaus standarto dėl biuro įrangoje naudojamo popieriaus nėra, „Lexmark“ kaip minimalių savybių standartą naudoja Europos standartą EN 12281. Siekiant užtikrinti bandymų išsamumą, bandomąjį popierių sudaro 100 % perdirbtas popierius iš Šiaurės Amerikos, Europos ir Azijos, o bandymai atliekami esant 8–80 % santykinei drėgmei. Bandymas apima dvipusį spausdinimą. Gali būti naudojamas biuro popierius, pagamintas iš atsinaujinančiųjų išteklių, perdirbtų arba chloro neturinčių medžiagų.

## Popieriaus laikymas

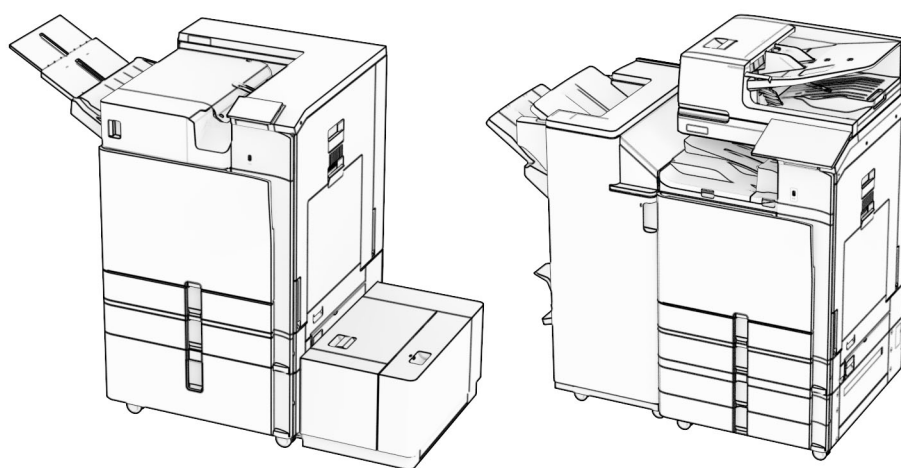
Naudokitės šiomis popieriaus laikymo rekomendacijomis, kurios padės išvengti popieriaus strigčių ir nevienodos spausdinimo kokybės:

- Prieš spausdindami, 24–48 valandas popierių laikykite originalioje pakuotėje toje pačioje aplinkoje kaip ir spausdintuvą.
- Keliomis dienomis pailginkite laiką, jei popieriaus laikymo arba gabenimo aplinka labai skiriasi nuo spausdintuvo aplinkos. Ilgesnio laikotarpio gali prireikti ir storam popieriui.
- Norėdami pasiekti geriausių rezultatų, popierių laikykite patalpoje, kurioje temperatūra siekia  $21 \text{ }^\circ\text{C}$  ( $70 \text{ }^\circ\text{F}$ ), o santykinė drėgmė – 40 procentų.
- Dauguma etikečių gamintojų rekomenduoja spausdinti esant  $18\text{--}24 \text{ }^\circ\text{C}$  ( $65\text{--}75 \text{ }^\circ\text{F}$ ) temperatūrai ir 40–60 procentų santykinei drėgmei.
- Laikykite popierių kartono dėžėse, ant padėklo arba lentynoje, o ne ant grindų.
- Atskiras pakuotes laikykite ant lygaus paviršiaus.

- Nieko nelaikykite ant atskirų popieriaus pakuočių viršaus.
- Popierių iš kartoninės dėžės arba pakuotės imkite tik tada, kai ruošiatės jį dėti į spausdintuvą. Dėžutėje ir pakuotėje laikomas popierius išlieka švarus, sausas ir lygus.

## Konkreto spausdintuvo popieriaus palaikymas

**„Lexmark“ spausdintuvai ir daugiafunkciai spausdintuvai  
CS963, CX833, CX961, CX962, CX963, XC8355, XC9635,  
XC9645, XC9655**



Toliau pateiktose lentelėse pateikiama informacija apie standartinius ir papildomus popieriaus šaltinius bei jiems tinkamus popieriaus formatus, rūšis ir svorius.

**Pastaba:** Jei sąrašė nėra pageidaujamo popieriaus formato, pasirinkite arčiausiai sąrašė esantį *didesnį* formatą.

## Palaikomi popieriaus formatai

### Popieriaus formatai, palaikomi bazinėje konfigūracijoje

Popieriaus formatas	Orientacija	Standartinis 550 lapų dėklas	Daugiafunkcis tiekėtuvas	Abipusis spausdinimas
<b>4x6 kortelė</b>	Dedant trumpuoju kraštu	X	✓	X
	Dedant ilguoju kraštu	X	X	X
<b>A6</b> 105 x 148 mm (4,13 x 5,83 col.)	Dedant trumpuoju kraštu	✓	✓	✓
	Dedant ilguoju kraštu	X	X	X
<b>1/3 A4</b>	Dedant trumpuoju kraštu	✓	✓	X
	Dedant ilguoju kraštu	X	X	X
<b>A5</b> 148 x 210 mm (5,83 x 8,27 col.)	Dedant trumpuoju kraštu	✓	X	✓
	Dedant ilguoju kraštu	✓	✓	✓
<b>A4</b> 210 x 297 mm (8,27 x 11,7 col.)	Dedant trumpuoju kraštu	✓	X	✓
	Dedant ilguoju kraštu	✓	✓	✓
<b>A3</b> 297 x 420 mm (11,69 x 16,54 col.)	Dedant trumpuoju kraštu	X	✓	✓
<b>JIS B5</b> 182 x 257 mm (7,17 x 10,1 col.)	Dedant trumpuoju kraštu	✓	X	✓
	Dedant ilguoju kraštu	✓	✓	✓
<b>JIS B4</b> 257 x 364 mm (10,12 x 14,33 col.)	Dedant trumpuoju kraštu	X	✓	✓
<b>„Statement“</b> 139,7 x 215,9 mm (5,5 x 8,5 col.)	Dedant trumpuoju kraštu	✓	X	✓
	Dedant ilguoju kraštu	✓	✓	✓
<b>„Executive“</b> 184,2 x 266,7 mm (7,25 x 10,5 col.)	Dedant trumpuoju kraštu	✓	X	✓
	Dedant ilguoju kraštu	✓	✓	✓

<sup>1</sup> Palaikoma, tik kai sukonfigūruota per meniu „Universalus formato sąranka“.

<sup>2</sup> Palaikomas nuo 95 x 139,7 mm (3,74 x 5,5 col.) iki 297 x 355,6 mm (11,69 x 14 col.) formato popierius.

<sup>3</sup> Maksimalus universalus formato popieriaus ilgis plakatinių popierių atveju yra 1320,8 x 52 col. [dėkite tik vieną plakatinių popierių lapą vienu metu.

<sup>4</sup> Palaikomas nuo 95 x 139,7 mm (3,74 x 5,5 col.) iki 320 x 457,2 mm (12,6 x 18 col.) formato popierius.

<sup>5</sup> Palaikomas nuo 105 x 139,7 mm (4,13 x 5,5 col.) iki 320 x 457,2 mm (12,59 x 18 col.) formato popierius.



Popieriaus formatas	Orientacija	Standartinis 550 lapų dėklas	Daugiafunkcis tiektuvas	Abipusis spausdinimas
„Letter“ 215,9 x 279,4 mm (8,5 x 11 col.)	Dedant trumpuoju kraštu	✓	X	✓
	Dedant ilguoju kraštu	✓	✓	✓
„Folio“ 215,9 x 330,2 mm (8,5 x 13 col.)	Dedant trumpuoju kraštu	✓	✓	✓
„Oficio (Mexico)“ 215,9 x 340,4 mm (8,5 x 13,4 col.)	Dedant trumpuoju kraštu	✓	✓	✓
„Legal“ 215,9 x 355,6 mm (8,5 x 14 col.)	Dedant trumpuoju kraštu	✓	✓	✓
„Ledger“ 279,4 x 431,8 mm (11 x 17 col.)	Dedant trumpuoju kraštu	X	✓	✓
<b>12x18</b> 304,8 x 457,2 mm (12,0 x 18,0 col.)	Dedant trumpuoju kraštu	X	✓	✓
<b>SRA3</b> 320,04 x 449,58 mm (12,6 x 17,7 col.)	Dedant trumpuoju kraštu	X	✓	✓
„Envelope (Choukei #3)“ 120 x 235 mm (4,75 x 9,25 col.)	Dedant trumpuoju kraštu	✓	✓	X
„Hagaki“ 100 x 148 mm (3,94 x 5,83 col.)	Dedant trumpuoju kraštu	✓	✓	X
„B5 Envelope“ 176 x 250 mm (6,93 x 9,84 col.)	Dedant trumpuoju kraštu	✓	✓	X
„Envelope (Commercial #9)“ 98,4 x 225,4 mm (3,875 x 8,9 col.)	Dedant trumpuoju kraštu	✓	✓	X

<sup>1</sup> Palaikoma, tik kai sukonfigūruota per meniu „Universalus formato sąranka“.

<sup>2</sup> Palaikomas nuo 95 x 139,7 mm (3,74 x 5,5 col.) iki 297 x 355,6 mm (11,69 x 14 col.) formato popierius.

<sup>3</sup> Maksimalus universalus formato popieriaus ilgis plakatinio popierius atveju yra 1320,8 x 52 col. [dėkite tik vieną plakatinio popieriaus lapą vienu metu.

<sup>4</sup> Palaikomas nuo 95 x 139,7 mm (3,74 x 5,5 col.) iki 320 x 457,2 mm (12,6 x 18 col.) formato popierius.

<sup>5</sup> Palaikomas nuo 105 x 139,7 mm (4,13 x 5,5 col.) iki 320 x 457,2 mm (12,59 x 18 col.) formato popierius.

Popieriaus formatas	Orientacija	Standartinis 550 lapų dėklas	Daugiafunkcis tiektuvas	Abipusis spausdinimas
„Envelope (Commercial #10)“ 104,8 x 241,3 mm (4,12 x 9,5 col.)	Dedant trumpuoju kraštu	✓	✓	X
„Envelope (Monarch 7-3/4)“ 98,4 x 190,5 mm (3,875 x 7,5 col.)	Dedant trumpuoju kraštu	✓	✓	X
„Envelope“ (DL) 110 x 220 mm (4,33 x 8,66 col.)	Dedant trumpuoju kraštu	✓	✓	X
„Envelope (ISO C4)“ 229 x 324 mm (9 x 12,8 col.)	Dedant trumpuoju kraštu	X	✓ <sup>1</sup>	X
„Envelope (ISO C5)“ 162 x 229 mm (6,38 x 9 col.)	Dedant trumpuoju kraštu	✓	✓	X
„Universal“	Nėra	✓ <sup>2</sup>	✓ <sup>3, 4</sup>	✓ <sup>5</sup>

<sup>1</sup> Palaikoma, tik kai sukonfigūruota per meniu „Universalaus formato sąranka“.

<sup>2</sup> Palaikomas nuo 95 x 139,7 mm (3,74 x 5,5 col.) iki 297 x 355,6 mm (11,69 x 14 col.) formato popierius.

<sup>3</sup> Maksimalus universalaus formato popieriaus ilgis plakatinio popierius atveju yra 1320,8 x 52 col. [dėkite tik vieną plakatinio popieriaus lapą vienu metu.

<sup>4</sup> Palaikomas nuo 95 x 139,7 mm (3,74 x 5,5 col.) iki 320 x 457,2 mm (12,6 x 18 col.) formato popierius.

<sup>5</sup> Palaikomas nuo 105 x 139,7 mm (4,13 x 5,5 col.) iki 320 x 457,2 mm (12,59 x 18 col.) formato popierius.

### Popieriaus formatai, palaikomi papildomuose dėkluose

Popieriaus formatas	Orientacija	Papildomas 550 lapų dėklas	2 x 550 lapų dėklas	2000 lapų sudvejintas dėklas	1500 lapų dėklas
<b>4x6 kortelė</b>	Dedant trumpuoju kraštu	X	X	X	X
	Dedant ilguoju kraštu	X	X	X	X
<b>A6</b> 105 x 148 mm (4,13 x 5,83 col.)	Dedant trumpuoju kraštu	✓	✓	X	X
	Dedant ilguoju kraštu	X	X	X	X
<b>1/3 A4</b>	Dedant trumpuoju kraštu	X	X	X	X
	Dedant ilguoju kraštu	X	X	X	X
<b>A5</b> 148 x 210 mm (5,83 x 8,27 col.)	Dedant trumpuoju kraštu	✓	✓	X	X
	Dedant ilguoju kraštu	✓	✓	X	X

<sup>1</sup> Palaikoma, tik kai sukonfigūruota per meniu „Universalaus formato sąranka“.

<sup>2</sup> Palaikomas nuo 139,7 x 215,9 mm (5,5 x 8,5 col.) iki 304,8 x 457,2 mm (12 x 18 col.) formato popierius.

Popieriaus formatas	Orientacija	Papildomas 550 lapų dėklas	2 x 550 lapų dėklas	2000 lapų sudvejintas dėklas	1500 lapų dėklas
<b>A4</b> 210 x 297 mm (8,27 x 11,7 col.)	Dedant trumpuoju kraštu	✓	✓	X	X
	Dedant ilguoju kraštu	✓	✓	✓	✓
<b>A3</b> 297 x 420 mm (11,69 x 16,54 col.)	Dedant trumpuoju kraštu	✓	✓	X	X
<b>JIS B5</b> 182 x 257 mm (7,17 x 10,1 col.)	Dedant trumpuoju kraštu	✓	✓	X	X
	Dedant ilguoju kraštu	✓	✓	X	✓
<b>JIS B4</b> 257 x 364 mm (10,12 x 14,33 col.)	Dedant trumpuoju kraštu	✓	✓	X	X
<b>„Statement“</b> 139,7 x 215,9 mm (5,5 x 8,5 col.)	Dedant trumpuoju kraštu	✓	✓	X	X
	Dedant ilguoju kraštu	X	X	X	X
<b>„Executive“</b> 184,2 x 266,7 mm (7,25 x 10,5 col.)	Dedant trumpuoju kraštu	✓	✓	X	X
	Dedant ilguoju kraštu	✓	✓	X	X
<b>„Letter“</b> 215,9 x 279,4 mm (8,5 x 11 col.)	Dedant trumpuoju kraštu	✓	✓	X	X
	Dedant ilguoju kraštu	✓	✓	✓	✓
<b>„Folio“</b> 215,9 x 330,2 mm (8,5 x 13 col.)	Dedant trumpuoju kraštu	✓	✓	X	X
<b>„Oficio (Mexico)“</b> 215,9 x 340,4 mm (8,5 x 13,4 col.)	Dedant trumpuoju kraštu	✓	✓	X	X
<b>„Legal“</b> 215,9 x 355,6 mm (8,5 x 14 col.)	Dedant trumpuoju kraštu	✓	✓	X	X
<b>„Ledger“</b> 279,4 x 431,8 mm (11 x 17 col.)	Dedant trumpuoju kraštu	✓	✓	X	X
<b>12x18</b> 304,8 x 457,2 mm (12 x 18 col.)	Dedant trumpuoju kraštu	✓	✓	X	X

<sup>1</sup> Palaikoma, tik kai sukonfigūruota per meniu „Universalus formato sąranka“.

<sup>2</sup> Palaikomas nuo 139,7 x 215,9 mm (5,5 x 8,5 col.) iki 304,8 x 457,2 mm (12 x 18 col.) formato popierius.

Popieriaus formatas	Orientacija	Papildomas 550 lapų dėklas	2 x 550 lapų dėklas	2000 lapų sudvejintas dėklas	1500 lapų dėklas
<b>SRA3</b> 320,04 x 449,58 mm (12,6 x 17,7 col.)	Dedant trumpuoju kraštu	✓	✓	X	X
<b>„Envelope (Choukei #3)“</b> 120 x 235 mm (4,75 x 9,25 col.)	Dedant trumpuoju kraštu	X	X	X	X
<b>„Hagaki“</b> 100 x 148 mm (3,94 x 5,83 col.)	Dedant trumpuoju kraštu	✓ <sup>1</sup>	✓ <sup>1</sup>	X	X
<b>„B5 Envelope“</b> 176 x 250 mm (6,93 x 9,84 col.)	Dedant trumpuoju kraštu	X	X	X	X
<b>„Envelope (Commercial #9)“</b> 98,4 x 225,4 mm (3,875 x 8,9 col.)	Dedant trumpuoju kraštu	✓ <sup>1</sup>	✓ <sup>1</sup>	X	X
<b>„Envelope (Commercial #10)“</b> 104,8 x 241,3 mm (4,12 x 9,5 col.)	Dedant trumpuoju kraštu	X	X	X	X
<b>„Envelope (Monarch 7-3/4)“</b> 98,4 x 190,5 mm (3,875 x 7,5 col.)	Dedant trumpuoju kraštu	✓	✓	X	X
<b>„Envelope“ (DL)</b> 110 x 220 mm (4,33 x 8,66 col.)	Dedant trumpuoju kraštu	✓	✓	X	X
<b>„Envelope (ISO C4)“</b> 229 x 324 mm (9 x 12,8 col.)	Dedant trumpuoju kraštu	X	X	X	X
<b>„Envelope (ISO C5)“</b> 162 x 229 mm (6,38 x 9 col.)	Dedant trumpuoju kraštu	✓	✓	X	X
<b>„Universal“</b>	Nėra	✓ <sup>2</sup>	✓ <sup>2</sup>	✓	✓

<sup>1</sup> Palaikoma, tik kai sukonfigūruota per meniu „Universalaus formato sąranka“.

<sup>2</sup> Palaikomas nuo 139,7 x 215,9 mm (5,5 x 8,5 col.) iki 304,8 x 457,2 mm (12 x 18 col.) formato popierius.

## Popieriaus formatai, kuriuos palaiko išvesčių dėtuvės

**Pastaba:** Spausdintuve yra įrengtas popieriaus gabenimo įtaisas ir sąsagėlių, skylmušos įtaisas arba brošiūrų apipavidalinimo įtaisas.

Popieriaus formatas	Orientacija	Popieriaus gabenimo įtaisas + sąsagėlių, skylmušos įtaisas			Popieriaus gabenimo įtaisas + brošiūrų apipavidalinimo įtaisas			
		Standartinė dėtuvė (apipavidalinimo įtaiso viršutinė dėtuvė)	1 dėtuvė (sąsagėlių / skylmušos įtaiso, grupavimo įtaiso dėtuvė)	2 dėtuvė (popieriaus gabenimo įtaiso dėtuvė)	Standartinė dėtuvė (apipavidalinimo įtaiso viršutinė dėtuvė)	1 dėtuvė (sąsagėlių / skylmušos įtaiso, grupavimo įtaiso dėtuvė)	2 dėtuvė (apipavidalinimo įtaiso brošiūrų dėtuvė)	3 dėtuvė (popieriaus gabenimo įtaiso dėtuvė)
<b>4x6 kortelė</b>	Dedant trumpuoju kraštu	✓	✓	✓	✓	✓	X	✓
	Dedant ilguoju kraštu	X	X	X	X	X	X	✓
<b>A6</b> 105 x 148 mm (4,13 x 5,83 col.)	Dedant trumpuoju kraštu	✓	✓	✓	✓	✓	X	✓
	Dedant ilguoju kraštu	X	X	X	X	X	X	X
<b>1/3 A4</b>	Dedant trumpuoju kraštu	✓	✓	✓	✓	✓	X	✓
	Dedant ilguoju kraštu	X	X	X	X	X	X	✓
<b>A5</b> 148 x 210 mm (5,83 x 8,27 col.)	Dedant trumpuoju kraštu	✓	✓	✓	✓	✓	X	✓
	Dedant ilguoju kraštu	✓	✓	✓	✓	✓	X	✓
<b>A4</b> 210 x 297 mm (8,27 x 11,7 col.)	Dedant trumpuoju kraštu	✓	✓	✓	✓	✓	✓	✓
	Dedant ilguoju kraštu	✓	✓	✓	✓	✓	✓	✓
<b>A3</b> 297 x 420 mm (11,69 x 16,54 col.)	Dedant trumpuoju kraštu	✓	✓	✓	✓	✓	✓	✓

<sup>1</sup> Palaikomas nuo 90 x 148 mm (3,55 x 5,83 col.) iki 320 x 600 mm (12,59 x 23.62 col.) formato popierius.

<sup>2</sup> Palaikomas nuo 90 x 148 mm (3,55 x 5,83 col.) iki 320 x 1260 mm (12,59 x 49.6 col.) formato popierius.

<sup>3</sup> Palaikomas nuo 182 x 257 mm (7,17 x 10,12 col.) iki 304,8 x 457,2 mm (12 x 18 col.) formato popierius.

Popieriaus formatas	Orientacija	Popieriaus gabenimo įtaisas + sąsagėlių, skylmušos įtaisas			Popieriaus gabenimo įtaisas + brošiūrų apipavidalinimo įtaisas			
		Standartinė dėtuvė (apipavidalinimo įtaiso viršutinė dėtuvė)	1 dėtuvė (sąsagėlių / skylmušos įtaiso, grupavimo įtaiso dėtuvė)	2 dėtuvė (popieriaus gabenimo įtaiso dėtuvė)	Standartinė dėtuvė (apipavidalinimo įtaiso viršutinė dėtuvė)	1 dėtuvė (sąsagėlių / skylmušos įtaiso, grupavimo įtaiso dėtuvė)	2 dėtuvė (apipavidalinimo įtaiso brošiūrų dėtuvė)	3 dėtuvė (popieriaus gabenimo įtaiso dėtuvė)
<b>JIS B5</b> 182 x 257 mm (7,17 x 10,1 col.)	Dedant trumpuoju kraštu	✓	✓	✓	✓	✓	✓	✓
	Dedant ilguoju kraštu	✓	✓	✓	✓	✓	X	✓
<b>JIS B4</b> 257 x 364 mm (10,12 x 14,33 col.)	Dedant trumpuoju kraštu	✓	✓	✓	✓	✓	✓	✓
<b>„Statement“</b> 139,7 x 215,9 mm (5,5 x 8,5 col.)	Dedant trumpuoju kraštu	✓	✓	✓	✓	✓	X	✓
	Dedant ilguoju kraštu	✓	✓	✓	✓	✓	X	✓
<b>„Executive“</b> 184,2 x 266,7 mm (7,25 x 10,5 col.)	Dedant trumpuoju kraštu	✓	✓	✓	✓	✓	X	✓
	Dedant ilguoju kraštu	✓	✓	✓	✓	✓	X	✓
<b>„Letter“</b> 215,9 x 279,4 mm (8,5 x 11 col.)	Dedant trumpuoju kraštu	✓	✓	✓	✓	✓	✓	✓
	Dedant ilguoju kraštu	✓	✓	✓	✓	✓	X	✓
<b>„Folio“</b> 215,9 x 330,2 mm (8,5 x 13 col.)	Dedant trumpuoju kraštu	✓	✓	✓	✓	✓	✓	✓

<sup>1</sup> Palaikomas nuo 90 x 148 mm (3,55 x 5,83 col.) iki 320 x 600 mm (12,59 x 23,62 col.) formato popierius.

<sup>2</sup> Palaikomas nuo 90 x 148 mm (3,55 x 5,83 col.) iki 320 x 1260 mm (12,59 x 49,6 col.) formato popierius.

<sup>3</sup> Palaikomas nuo 182 x 257 mm (7,17 x 10,12 col.) iki 304,8 x 457,2 mm (12 x 18 col.) formato popierius.

Popieriaus formatas	Orientacija	Popieriaus gabenimo įtaisas + sąsagėlių, skylmušos įtaisas			Popieriaus gabenimo įtaisas + brošiūrų apipavidalinimo įtaisas			
		Standartinė dėtuvė (apipavidalinimo įtaiso viršutinė dėtuvė)	1 dėtuvė (sąsagėlių / skylmušos įtaiso, grupavimo įtaiso dėtuvė)	2 dėtuvė (popieriaus gabenimo įtaiso dėtuvė)	Standartinė dėtuvė (apipavidalinimo įtaiso viršutinė dėtuvė)	1 dėtuvė (sąsagėlių / skylmušos įtaiso, grupavimo įtaiso dėtuvė)	2 dėtuvė (apipavidalinimo įtaiso brošiūrų dėtuvė)	3 dėtuvė (popieriaus gabenimo įtaiso dėtuvė)
<b>„Oficio (Mexico)“</b> 215,9 x 340,4 mm (8,5 x 13,4 col.)	Dedant trumpuoju kraštu	✓	✓	✓	✓	✓	✓	✓
<b>„Legal“</b> 215,9 x 355,6 mm (8,5 x 14 col.)	Dedant trumpuoju kraštu	✓	✓	✓	✓	✓	✓	✓
<b>„Ledger“</b> 279,4 x 431,8 mm (11 x 17 col.)	Dedant trumpuoju kraštu	✓	✓	✓	✓	✓	✓	✓
<b>12x18</b> 304,8 x 457,2 mm (12 x 18 col.)	Dedant trumpuoju kraštu	✓	✓	✓	✓	✓	✓	✓
<b>SRA3</b> 320,04 x 449,58 mm (12,6 x 17,7 col.)	Dedant trumpuoju kraštu	✓	✓	X	✓	✓	X	✓
<b>„Envelope (Choukei #3)“</b> 120 x 235 mm (4,75 x 9,25 col.)	Dedant trumpuoju kraštu	X	X	✓	X	X	X	✓
<b>„Hagaki“</b> 100 x 148 mm (3,94 x 5,83 col.)	Dedant trumpuoju kraštu	X	X	✓	X	X	X	✓

<sup>1</sup> Palaikomas nuo 90 x 148 mm (3,55 x 5,83 col.) iki 320 x 600 mm (12,59 x 23.62 col.) formato popierius.

<sup>2</sup> Palaikomas nuo 90 x 148 mm (3,55 x 5,83 col.) iki 320 x 1260 mm (12,59 x 49.6 col.) formato popierius.

<sup>3</sup> Palaikomas nuo 182 x 257 mm (7,17 x 10,12 col.) iki 304,8 x 457,2 mm (12 x 18 col.) formato popierius.

Popieriaus formatas	Orientacija	Popieriaus gabenimo įtaisas + sąsagėlių, skylmušos įtaisas			Popieriaus gabenimo įtaisas + brošiūrų apipavidalinimo įtaisas			
		Standartinė dėtuvė (apipavidalinimo įtaiso viršutinė dėtuvė)	1 dėtuvė (sąsagėlių / skylmušos įtaiso, grupavimo įtaiso dėtuvė)	2 dėtuvė (popieriaus gabenimo įtaiso dėtuvė)	Standartinė dėtuvė (apipavidalinimo įtaiso viršutinė dėtuvė)	1 dėtuvė (sąsagėlių / skylmušos įtaiso, grupavimo įtaiso dėtuvė)	2 dėtuvė (apipavidalinimo įtaiso brošiūrų dėtuvė)	3 dėtuvė (popieriaus gabenimo įtaiso dėtuvė)
„B5 Envelope“ 176 x 250 mm (6,93 x 9,84 col.)	Dedant trumpuoju kraštu	X	X	✓	X	X	X	✓
„Envelope (Commercial #9)“ 98,4 x 225,4 mm (3,875 x 8,9 col.)	Dedant trumpuoju kraštu	X	X	✓	X	X	X	✓
„Envelope (Commercial #10)“ 104,8 x 241,3 mm (4,12 x 9,5 col.)	Dedant trumpuoju kraštu	X	X	✓	X	X	X	✓
„Envelope (Monarch 7-3/4)“ 98,4 x 190,5 mm (3,875 x 7,5 col.)	Dedant trumpuoju kraštu	X	X	✓	X	X	X	✓
„Envelope“ (DL) 110 x 220 mm (4,33 x 8,66 col.)	Dedant trumpuoju kraštu	X	X	✓	X	X	X	✓
„Envelope (ISO C4)“ 229 x 324 mm (9 x 12,8 col.)	Dedant trumpuoju kraštu	X	X	✓	X	X	X	✓

<sup>1</sup> Palaikomas nuo 90 x 148 mm (3,55 x 5,83 col.) iki 320 x 600 mm (12,59 x 23,62 col.) formato popierius.

<sup>2</sup> Palaikomas nuo 90 x 148 mm (3,55 x 5,83 col.) iki 320 x 1260 mm (12,59 x 49,6 col.) formato popierius.

<sup>3</sup> Palaikomas nuo 182 x 257 mm (7,17 x 10,12 col.) iki 304,8 x 457,2 mm (12 x 18 col.) formato popierius.



Popieriaus formatas	Orientacija	Popieriaus gabenimo įtaisas + sąsagėlių, skylmušos įtaisas			Popieriaus gabenimo įtaisas + brošiūrų apipavidalinimo įtaisas			
		Standartinė dėtuvė (apipavidalinimo įtaiso viršutinė dėtuvė)	1 dėtuvė (sąsagėlių / skylmušos įtaiso, grupavimo įtaiso dėtuvė)	2 dėtuvė (popieriaus gabenimo įtaiso dėtuvė)	Standartinė dėtuvė (apipavidalinimo įtaiso viršutinė dėtuvė)	1 dėtuvė (sąsagėlių / skylmušos įtaiso, grupavimo įtaiso dėtuvė)	2 dėtuvė (apipavidalinimo įtaiso brošiūrų dėtuvė)	3 dėtuvė (popieriaus gabenimo įtaiso dėtuvė)
„Envelope (ISO C5)“ 162 x 229 mm (6,38 x 9 col.)	Dedant trumpuoju kraštu	X	X	✓	X	X	X	✓
„Universal“	Nėra	✓ <sup>1</sup>	✓ <sup>1</sup>	✓ <sup>2</sup>	✓ <sup>1</sup>	✓ <sup>1</sup>	✓ <sup>3</sup>	✓ <sup>2</sup>
<p><sup>1</sup> Palaikomas nuo 90 x 148 mm (3,55 x 5,83 col.) iki 320 x 600 mm (12,59 x 23.62 col.) formato popierius.</p> <p><sup>2</sup> Palaikomas nuo 90 x 148 mm (3,55 x 5,83 col.) iki 320 x 1260 mm (12,59 x 49.6 col.) formato popierius.</p> <p><sup>3</sup> Palaikomas nuo 182 x 257 mm (7,17 x 10,12 col.) iki 304,8 x 457,2 mm (12 x 18 col.) formato popierius.</p>								

**Pastaba:** Spausdintuve yra įrengtas popieriaus gabenimo su lankstymu papildomas įtaisas ir sąsagėlių, skylmušos įtaisas arba brošiūrų apipavidalinimo įtaisas.

Popieriaus formatas	Orientacija	Popieriaus gabenimo su lankstymu papildomas įtaisas + sąsagėlių, skylmušos įtaisas			Popieriaus gabenimo su lankstymu papildomas įtaisas + brošiūrų apipavidalinimo įtaisas			
		Standartinė dėtuvė (apipavidalinimo įtaiso viršutinė dėtuvė)	1 dėtuvė (sąsagėlių / skylmušos įtaiso, grupavimo įtaiso dėtuvė)	2 dėtuvė (popieriaus gabenimo įtaiso dėtuvė)	Standartinė dėtuvė (apipavidalinimo įtaiso viršutinė dėtuvė)	1 dėtuvė (sąsagėlių / skylmušos įtaiso, grupavimo įtaiso dėtuvė)	2 dėtuvė (apipavidalinimo įtaiso brošiūrų dėtuvė)	3 dėtuvė (popieriaus gabenimo įtaiso dėtuvė)
4x6 kortelė	Dedant trumpuoju kraštu	✓	✓	✓	✓	✓	X	✓
	Dedant ilguoju kraštu	X	X	X	X	X	X	X
A6 105 x 148 mm (4,13 x 5,83 col.)	Dedant trumpuoju kraštu	✓	✓	✓	✓	✓	X	✓
	Dedant ilguoju kraštu	X	X	X	X	X	X	X
<p><sup>1</sup> Palaikomas nuo 90 x 148 mm (3,55 x 5,83 col.) iki 320 x 600 mm (12,59 x 23.62 col.) formato popierius.</p> <p><sup>2</sup> Palaikomas nuo 90 x 148 mm (3,55 x 5,83 col.) iki 297 x 1260 mm (11,69 x 49,6 col.) formato popierius.</p> <p><sup>3</sup> Palaikomas nuo 182 x 257 mm (7,17 x 10,12 col.) iki 304,8 x 457,2 mm (12 x 18 col.) formato popierius.</p>								

Popieriaus formatas	Orientacija	Popieriaus gabenimo su lankstymu papildomas įtaisas + sąsagėlių, skylmušos įtaisas			Popieriaus gabenimo su lankstymu papildomas įtaisas + brošiūrų apipavidalinimo įtaisas			
		Standartinė dėtuvė (apipavidalinimo įtaiso viršutinė dėtuvė)	1 dėtuvė (sąsagėlių / skylmušos įtaiso, grupavimo įtaiso dėtuvė)	2 dėtuvė (popieriaus gabenimo įtaiso dėtuvė)	Standartinė dėtuvė (apipavidalinimo įtaiso viršutinė dėtuvė)	1 dėtuvė (sąsagėlių / skylmušos įtaiso, grupavimo įtaiso dėtuvė)	2 dėtuvė (apipavidalinimo įtaiso brošiūrų dėtuvė)	3 dėtuvė (popieriaus gabenimo įtaiso dėtuvė)
<b>1/3 A4</b>	Dedant trumpuoju kraštu	✓	✓	✓	✓	✓	X	✓
	Dedant ilguoju kraštu	X	X	X	X	X	X	X
<b>A5</b> 148 x 210 mm (5,83 x 8,27 col.)	Dedant trumpuoju kraštu	✓	✓	✓	✓	✓	X	✓
	Dedant ilguoju kraštu	✓	✓	✓	✓	✓	X	✓
<b>A4</b> 210 x 297 mm (8,27 x 11,7 col.)	Dedant trumpuoju kraštu	✓	✓	✓	✓	✓	✓	✓
	Dedant ilguoju kraštu	✓	✓	✓	✓	✓	X	✓
<b>A3</b> 297 x 420 mm (11,69 x 16,54 col.)	Dedant trumpuoju kraštu	✓	✓	✓	✓	✓	✓	✓
<b>JIS B5</b> 182 x 257 mm (7,17 x 10,1 col.)	Dedant trumpuoju kraštu	✓	✓	✓	✓	✓	✓	✓
	Dedant ilguoju kraštu	✓	✓	✓	✓	✓	X	✓
<b>JIS B4</b> 257 x 364 mm (10,12 x 14,33 col.)	Dedant trumpuoju kraštu	✓	✓	✓	✓	✓	✓	✓

<sup>1</sup> Palaikomas nuo 90 x 148 mm (3,55 x 5,83 col.) iki 320 x 600 mm (12,59 x 23,62 col.) formato popierius.

<sup>2</sup> Palaikomas nuo 90 x 148 mm (3,55 x 5,83 col.) iki 297 x 1260 mm (11,69 x 49,6 col.) formato popierius.

<sup>3</sup> Palaikomas nuo 182 x 257 mm (7,17 x 10,12 col.) iki 304,8 x 457,2 mm (12 x 18 col.) formato popierius.

Popieriaus formatas	Orientacija	Popieriaus gabenimo su lankstymu papildomas įtaisas + sąsagėlių, skylmušos įtaisas			Popieriaus gabenimo su lankstymu papildomas įtaisas + brošiūrų apipavidalinimo įtaisas			
		Standartinė dėtuvė (apipavidalinimo įtaiso viršutinė dėtuvė)	1 dėtuvė (sąsagėlių / skylmušos įtaiso, grupavimo įtaiso dėtuvė)	2 dėtuvė (popieriaus gabenimo įtaiso dėtuvė)	Standartinė dėtuvė (apipavidalinimo įtaiso viršutinė dėtuvė)	1 dėtuvė (sąsagėlių / skylmušos įtaiso, grupavimo įtaiso dėtuvė)	2 dėtuvė (apipavidalinimo įtaiso brošiūrų dėtuvė)	3 dėtuvė (popieriaus gabenimo įtaiso dėtuvė)
<b>„Statement“</b> 139,7 x 215,9 mm (5,5 x 8,5 col.)	Dedant trumpuoju kraštu	✓	✓	✓	✓	✓	X	✓
	Dedant ilguoju kraštu	✓	✓	✓	✓	✓	X	✓
<b>„Executive“</b> 184,2 x 266,7 mm (7,25 x 10,5 col.)	Dedant trumpuoju kraštu	✓	✓	✓	✓	✓	✓	✓
	Dedant ilguoju kraštu	✓	✓	✓	✓	✓	X	✓
<b>„Letter“</b> 215,9 x 279,4 mm (8,5 x 11 col.)	Dedant trumpuoju kraštu	✓	✓	✓	✓	✓	✓	✓
	Dedant ilguoju kraštu	✓	✓	✓	✓	✓	X	✓
<b>„Folio“</b> 215,9 x 330,2 mm (8,5 x 13 col.)	Dedant trumpuoju kraštu	✓	✓	✓	✓	✓	✓	✓
<b>„Oficio (Mexico)“</b> 215,9 x 340,4 mm (8,5 x 13,4 col.)	Dedant trumpuoju kraštu	✓	✓	✓	✓	✓	✓	✓
<b>„Legal“</b> 215,9 x 355,6 mm (8,5 x 14 col.)	Dedant trumpuoju kraštu	✓	✓	✓	✓	✓	✓	✓

<sup>1</sup> Palaikomas nuo 90 x 148 mm (3,55 x 5,83 col.) iki 320 x 600 mm (12,59 x 23,62 col.) formato popierius.

<sup>2</sup> Palaikomas nuo 90 x 148 mm (3,55 x 5,83 col.) iki 297 x 1260 mm (11,69 x 49,6 col.) formato popierius.

<sup>3</sup> Palaikomas nuo 182 x 257 mm (7,17 x 10,12 col.) iki 304,8 x 457,2 mm (12 x 18 col.) formato popierius.

Popieriaus formatas	Orientacija	Popieriaus gabenimo su lankstymu papildomas įtaisas + sąsagėlių, skylmušos įtaisas			Popieriaus gabenimo su lankstymu papildomas įtaisas + brošiūrų apipavidalinimo įtaisas			
		Standartinė dėtuvė (apipavidalinimo įtaiso viršutinė dėtuvė)	1 dėtuvė (sąsagėlių / skylmušos įtaiso, grupavimo įtaiso dėtuvė)	2 dėtuvė (popieriaus gabenimo įtaiso dėtuvė)	Standartinė dėtuvė (apipavidalinimo įtaiso viršutinė dėtuvė)	1 dėtuvė (sąsagėlių / skylmušos įtaiso, grupavimo įtaiso dėtuvė)	2 dėtuvė (apipavidalinimo įtaiso brošiūrų dėtuvė)	3 dėtuvė (popieriaus gabenimo įtaiso dėtuvė)
„Ledger“ 279,4 x 431,8 mm (11 x 17 col.)	Dedant trumpuoju kraštu	✓	✓	✓	✓	✓	✓	✓
12x18 304,8 x 457,2 mm (12 x 18 col.)	Dedant trumpuoju kraštu	✓	✓	X	✓	✓	✓	X
SRA3 320,04 x 449,58 mm (12,6 x 17,7 col.)	Dedant trumpuoju kraštu	✓	✓	X	✓	✓	X	X
„Envelope (Choukei #3)“ 120 x 235 mm (4,75 x 9,25 col.)	Dedant trumpuoju kraštu	X	X	✓	X	X	X	✓
„Hagaki“ 100 x 148 mm (3,94 x 5,83 col.)	Dedant trumpuoju kraštu	X	X	✓	X	X	X	✓
„B5 Envelope“ 176 x 250 mm (6,93 x 9,84 col.)	Dedant trumpuoju kraštu	X	X	✓	X	X	X	✓
„Envelope (Commercial #9)“ 98,4 x 225,4 mm (3,875 x 8,9 col.)	Dedant trumpuoju kraštu	X	X	✓	X	X	X	✓

<sup>1</sup> Palaikomas nuo 90 x 148 mm (3,55 x 5,83 col.) iki 320 x 600 mm (12,59 x 23,62 col.) formato popierius.

<sup>2</sup> Palaikomas nuo 90 x 148 mm (3,55 x 5,83 col.) iki 297 x 1260 mm (11,69 x 49,6 col.) formato popierius.

<sup>3</sup> Palaikomas nuo 182 x 257 mm (7,17 x 10,12 col.) iki 304,8 x 457,2 mm (12 x 18 col.) formato popierius.

Popieriaus formatas	Orientacija	Popieriaus gabenimo su lankstymu papildomas įtaisas + sąsagėlių, skylmušos įtaisas			Popieriaus gabenimo su lankstymu papildomas įtaisas + brošiūrų apipavidalinimo įtaisas			
		Standartinė dėtuvė (apipavidalinimo įtaiso viršutinė dėtuvė)	1 dėtuvė (sąsagėlių / skylmušos įtaiso, grupavimo įtaiso dėtuvė)	2 dėtuvė (popieriaus gabenimo įtaiso dėtuvė)	Standartinė dėtuvė (apipavidalinimo įtaiso viršutinė dėtuvė)	1 dėtuvė (sąsagėlių / skylmušos įtaiso, grupavimo įtaiso dėtuvė)	2 dėtuvė (apipavidalinimo įtaiso brošiūrų dėtuvė)	3 dėtuvė (popieriaus gabenimo įtaiso dėtuvė)
„Envelope (Commercial #10)“ 104,8 x 241,3 mm (4,12 x 9,5 col.)	Dedant trumpuoju kraštu	X	X	✓	X	X	X	✓
„Envelope (Monarch 7-3/4)“ 98,4 x 190,5 mm (3,875 x 7,5 col.)	Dedant trumpuoju kraštu	X	X	✓	X	X	X	✓
„Envelope“ (DL) 110 x 220 mm (4,33 x 8,66 col.)	Dedant trumpuoju kraštu	X	X	✓	X	X	X	✓
„Envelope (ISO C4)“ 229 x 324 mm (9 x 12,8 col.)	Dedant trumpuoju kraštu	X	X	✓	X	X	X	✓
„Envelope (ISO C5)“ 162 x 229 mm (6,38 x 9 col.)	Dedant trumpuoju kraštu	X	X	✓	X	X	X	✓
„Universal“	Nėra	✓ <sup>1</sup>	✓ <sup>1</sup>	✓ <sup>2</sup>	✓ <sup>1</sup>	✓ <sup>1</sup>	✓ <sup>3</sup>	✓ <sup>2</sup>

<sup>1</sup> Palaikomas nuo 90 x 148 mm (3,55 x 5,83 col.) iki 320 x 600 mm (12,59 x 23,62 col.) formato popierius.  
<sup>2</sup> Palaikomas nuo 90 x 148 mm (3,55 x 5,83 col.) iki 297 x 1260 mm (11,69 x 49,6 col.) formato popierius.  
<sup>3</sup> Palaikomas nuo 182 x 257 mm (7,17 x 10,12 col.) iki 304,8 x 457,2 mm (12 x 18 col.) formato popierius.

**Popieriaus formatai, palaikomi atliekant susegimo ir skylmušos užduotis****Popieriaus formatai, kuriuos palaiko sąsagėlių segiklis**

Popieriaus formatas	Orientacija	Susegimas		
		Pavienis	Dvigubas	Dvigubas kairėje
<b>4x6 kortelė</b>	Dedant trumpuoju kraštu	X	X	X
	Dedant ilguoju kraštu	X	X	X
<b>A6</b> 105 x 148 mm (4,13 x 5,83 col.)	Dedant trumpuoju kraštu	X	X	X
	Dedant ilguoju kraštu	X	X	X
<b>1/3 A4</b>	Dedant trumpuoju kraštu	X	X	X
	Dedant ilguoju kraštu	X	X	X
<b>A5</b> 148 x 210 mm (5,83 x 8,27 col.)	Dedant trumpuoju kraštu	X	X	X
	Dedant ilguoju kraštu	X	X	X
<b>A4</b> 210 x 297 mm (8,27 x 11,7 col.)	Dedant trumpuoju kraštu	✓	✓	✓
	Dedant ilguoju kraštu	✓	✓	✓
<b>A3</b> 297 x 420 mm (11,69 x 16,54 col.)	Dedant trumpuoju kraštu	✓	✓	✓
<b>JIS B5</b> 182 x 257 mm (7,17 x 10,1 col.)	Dedant trumpuoju kraštu	✓	✓	✓
	Dedant ilguoju kraštu	✓	✓	✓
<b>JIS B4</b> 257 x 364 mm (10,12 x 14,33 col.)	Dedant trumpuoju kraštu	✓	✓	✓
<b>„Statement“</b> 139,7 x 215,9 mm (5,5 x 8,5 col.)	Dedant trumpuoju kraštu	X	X	X
	Dedant ilguoju kraštu	X	X	X
<b>„Executive“</b> 184,2 x 266,7 mm (7,25 x 10,5 col.)	Dedant trumpuoju kraštu	✓	X	X
	Dedant ilguoju kraštu	✓	✓	✓
<b>„Letter“</b> 215,9 x 279,4 mm (8,5 x 11 col.)	Dedant trumpuoju kraštu	✓	✓	X
	Dedant ilguoju kraštu	✓	✓	X
<b>„Folio“</b> 215,9 x 330,2 mm (8,5 x 13 col.)	Dedant trumpuoju kraštu	✓	✓	X
<b>„Oficio (Mexico)“</b> 215,9 x 340,4 mm (8,5 x 13,4 col.)	Dedant trumpuoju kraštu	✓	✓	X

Popieriaus formatas	Orientacija	Susegimas		
		Pavienis	Dvigubas	Dvigubas kairėje
<b>„Legal“</b> 215,9 x 355,6 mm (8,5 x 14 col.)	Dedant trumpuoju kraštu	✓	✓	✓
<b>„Ledger“</b> 279,4 x 431,8 mm (11 x 17 col.)	Dedant trumpuoju kraštu	✓	✓	✓
<b>12x18</b> 304,8 x 457,2 mm (12 x 18 col.)	Dedant trumpuoju kraštu	X	X	X
<b>SRA3</b> 320,04 x 449,58 mm (12,6 x 17,7 col.)	Dedant trumpuoju kraštu	X	X	X
<b>„Envelope (Choukei #3)“</b> 120 x 235 mm (4,75 x 9,25 col.)	Dedant trumpuoju kraštu	X	X	X
<b>„Hagaki“</b> 100 x 148 mm (3,94 x 5,83 col.)	Dedant trumpuoju kraštu	X	X	X
<b>„B5 Envelope“</b> 176 x 250 mm (6,93 x 9,84 col.)	Dedant trumpuoju kraštu	X	X	X
<b>„Envelope (Commercial #9)“</b> 98,4 x 225,4 mm (3,875 x 8,9 col.)	Dedant trumpuoju kraštu	X	X	X
<b>„Envelope (Commercial #10)“</b> 104,8 x 241,3 mm (4,12 x 9,5 col.)	Dedant trumpuoju kraštu	X	X	X
<b>„Envelope (Monarch 7-3/4)“</b> 98,4 x 190,5 mm (3,875 x 7,5 col.)	Dedant trumpuoju kraštu	X	X	X
<b>„Envelope“ (DL)</b> 110 x 220 mm (4,33 x 8,66 col.)	Dedant trumpuoju kraštu	X	X	X
<b>„Envelope (ISO C4)“</b> 229 x 324 mm (9 x 12,8 col.)	Dedant trumpuoju kraštu	X	X	X
<b>„Envelope (ISO C5)“</b> 162 x 229 mm (6,38 x 9 col.)	Dedant trumpuoju kraštu	X	X	X

**Popieriaus formatai, kuriuos palaiko sąrašėlių, skylmušos įtaisai**

Popieriaus formatas	Orientacija	Susėgimas			Skylmuša		
		Pavienis	Dvigubas	Dvigubas kairėje	Dviejų skylių	Trijų skylių	Keturių skylių
<b>4x6 kortelė</b>	Dedant trumpuoju kraštu	X	X	X	X	X	X
	Dedant ilguoju kraštu	X	X	X	X	X	X
<b>A6</b> 105 x 148 mm (4,13 x 5,83 col.)	Dedant trumpuoju kraštu	X	X	X	X	X	X
	Dedant ilguoju kraštu	X	X	X	X	X	X
<b>1/3 A4</b>	Dedant trumpuoju kraštu	X	X	X	X	X	X
	Dedant ilguoju kraštu	X	X	X	X	X	X
<b>A5</b> 148 x 210 mm (5,83 x 8,27 col.)	Dedant trumpuoju kraštu	X	X	X	✓	X	X
	Dedant ilguoju kraštu	X	X	X	✓	X	X
<b>A4</b> 210 x 297 mm (8,27 x 11,7 col.)	Dedant trumpuoju kraštu	✓	✓	✓	✓	X	X
	Dedant ilguoju kraštu	✓	✓	✓	✓	✓	✓
<b>A3</b> 297 x 420 mm (11,69 x 16,54 col.)	Dedant trumpuoju kraštu	✓	✓	✓	✓	✓	✓
<b>JIS B5</b> 182 x 257 mm (7,17 x 10,1 col.)	Dedant trumpuoju kraštu	✓	✓	✓	✓	X	X
	Dedant ilguoju kraštu	✓	✓	✓	✓	✓	✓
<b>JIS B4</b> 257 x 364 mm (10,12 x 14,33 col.)	Dedant trumpuoju kraštu	✓	✓	X	✓	✓	✓
<b>„Statement“</b> 139,7 x 215,9 mm (5,5 x 8,5 col.)	Dedant trumpuoju kraštu	X	X	X	✓	X	X
	Dedant ilguoju kraštu	X	X	X	✓	X	X
<b>„Executive“</b> 184,2 x 266,7 mm (7,25 x 10,5 col.)	Dedant trumpuoju kraštu	✓	✓	✓	✓	X	X
	Dedant ilguoju kraštu	✓	✓	✓	✓	✓	✓



Popieriaus formatas	Orientacija	Susegimas			Skylmuša		
		Pavienis	Dvigubas	Dvigubas kairėje	Dviejų skylių	Trijų skylių	Keturių skylių
„Letter“ 215,9 x 279,4 mm (8,5 x 11 col.)	Dedant trumpuoju kraštu	✓	✓	✓	✓	X	X
	Dedant ilguoju kraštu	✓	✓	✓	✓	✓	✓
„Folio“ 215,9 x 330,2 mm (8,5 x 13 col.)	Dedant trumpuoju kraštu	✓	✓	✓	✓	X	X
„Oficio (Mexico)“ 215,9 x 340,4 mm (8,5 x 13,4 col.)	Dedant trumpuoju kraštu	✓	✓	✓	✓	X	X
„Legal“ 215,9 x 355,6 mm (8,5 x 14 col.)	Dedant trumpuoju kraštu	✓	✓	✓	✓	X	X
„Ledger“ 279,4 x 431,8 mm (11 x 17 col.)	Dedant trumpuoju kraštu	✓	✓	✓	✓	✓	✓
<b>12x18</b> 304,8 x 457,2 mm (12 x 18 col.)	Dedant trumpuoju kraštu	X	X	X	X	X	X
<b>SRA3</b> 320,04 x 449,58 mm (12,6 x 17,7 col.)	Dedant trumpuoju kraštu	X	X	X	X	X	X
„Envelope (Choukei #3)“ 120 x 235 mm (4,75 x 9,25 col.)	Dedant trumpuoju kraštu	X	X	X	X	X	X
„Hagaki“ 100 x 148 mm (3,94 x 5,83 col.)	Dedant trumpuoju kraštu	X	X	X	X	X	X
„B5 Envelope“ 176 x 250 mm (6,93 x 9,84 col.)	Dedant trumpuoju kraštu	X	X	X	X	X	X
„Envelope (Commercial #9)“ 98,4 x 225,4 mm (3,875 x 8,9 col.)	Dedant trumpuoju kraštu	X	X	X	X	X	X
„Envelope (Commercial #10)“ 104,8 x 241,3 mm (4,12 x 9,5 col.)	Dedant trumpuoju kraštu	X	X	X	X	X	X
„Envelope (Monarch 7-3/4)“ 98,4 x 190,5 mm (3,875 x 7,5 col.)	Dedant trumpuoju kraštu	X	X	X	X	X	X

Popieriaus formatas	Orientacija	Susegimas			Skylmuša		
		Pavienis	Dvigubas	Dvigubas kairėje	Dviejų skylių	Trijų skylių	Keturių skylių
„Envelope“ (DL) 110 x 220 mm (4,33 x 8,66 col.)	Dedant trumpuoju kraštu	X	X	X	X	X	X
„Envelope (ISO C4)“ 229 x 324 mm (9 x 12,8 col.)	Dedant trumpuoju kraštu	X	X	X	X	X	X
„Envelope (ISO C5)“ 162 x 229 mm (6,38 x 9 col.)	Dedant trumpuoju kraštu	X	X	X	X	X	X

### Popieriaus formatai, kuriuos palaiko brošiūrų apipavidalinimo įtaisai

Popieriaus formatas	Orientacija	Susegimas			Skylmuša		
		Pavienis	Dvigubas	Dvigubas kairėje	Dviejų skylių	Trijų skylių	Keturių skylių
<b>4x6 kortelė</b>	Dedant trumpuoju kraštu	X	X	X	X	X	X
	Dedant ilguoju kraštu	X	X	X	X	X	X
<b>A6</b> 105 x 148 mm (4,13 x 5,83 col.)	Dedant trumpuoju kraštu	X	X	X	X	X	X
	Dedant ilguoju kraštu	X	X	X	X	X	X
<b>1/3 A4</b>	Dedant trumpuoju kraštu	X	X	X	X	X	X
	Dedant ilguoju kraštu	X	X	X	X	X	X
<b>A5</b> 148 x 210 mm (5,83 x 8,27 col.)	Dedant trumpuoju kraštu	X	X	X	✓	X	X
	Dedant ilguoju kraštu	X	X	X	✓	X	X
<b>A4</b> 210 x 297 mm (8,27 x 11,7 col.)	Dedant trumpuoju kraštu	✓	✓	✓	✓	X	X
	Dedant ilguoju kraštu	✓	✓	✓	✓	✓	✓
<b>A3</b> 297 x 420 mm (11,69 x 16,54 col.)	Dedant trumpuoju kraštu	✓	✓	✓	✓	✓	✓
<b>JIS B5</b> 182 x 257 mm (7,17 x 10,1 col.)	Dedant trumpuoju kraštu	✓	✓	✓	X	X	X
	Dedant ilguoju kraštu	✓	✓	✓	✓	X	X

Popieriaus formatas	Orientacija	Susegimas			Skylmuša		
		Pavienis	Dvigubas	Dvigubas kairėje	Dviejų skylių	Trijų skylių	Keturių skylių
<b>JIS B4</b> 257 x 364 mm (10,12 x 14,33 col.)	Dedant trumpuoju kraštu	✓	✓	X	✓	✓	✓
<b>„Statement“</b> 139,7 x 215,9 mm (5,5 x 8,5 col.)	Dedant trumpuoju kraštu	X	X	X	✓	X	X
	Dedant ilguoju kraštu	X	X	X	✓	X	X
<b>„Executive“</b> 184,2 x 266,7 mm (7,25 x 10,5 col.)	Dedant trumpuoju kraštu	✓	✓	✓	✓	X	X
	Dedant ilguoju kraštu	✓	✓	✓	✓	✓	✓
<b>„Letter“</b> 215,9 x 279,4 mm (8,5 x 11 col.)	Dedant trumpuoju kraštu	✓	✓	✓	✓	X	X
	Dedant ilguoju kraštu	✓	✓	✓	✓	✓	✓
<b>„Folio“</b> 215,9 x 330,2 mm (8,5 x 13 col.)	Dedant trumpuoju kraštu	✓	✓	✓	✓	X	X
<b>„Oficio (Mexico)“</b> 215,9 x 340,4 mm (8,5 x 13,4 col.)	Dedant trumpuoju kraštu	✓	✓	✓	✓	X	X
<b>„Legal“</b> 215,9 x 355,6 mm (8,5 x 14 col.)	Dedant trumpuoju kraštu	✓	✓	✓	✓	X	X
<b>„Ledger“</b> 279,4 x 431,8 mm (11 x 17 col.)	Dedant trumpuoju kraštu	✓	✓	✓	✓	✓	✓
<b>12x18</b> 304,8 x 457,2 mm (12 x 18 col.)	Dedant trumpuoju kraštu	X	X	X	X	X	X
<b>SRA3</b> 320,04 x 449,58 mm (12,6 x 17,7 col.)	Dedant trumpuoju kraštu	X	X	X	X	X	X
<b>„Envelope (Choukei #3)“</b> 120 x 235 mm (4,75 x 9,25 col.)	Dedant trumpuoju kraštu	X	X	X	X	X	X
<b>„Hagaki“</b> 100 x 148 mm (3,94 x 5,83 col.)	Dedant trumpuoju kraštu	X	X	X	X	X	X

Popieriaus formatas	Orientacija	Susegimas			Skylmuša		
		Pavienis	Dvigubas	Dvigubas kairėje	Dviejų skylių	Trijų skylių	Keturių skylių
„B5 Envelope“ 176 x 250 mm (6,93 x 9,84 col.)	Dedant trumpuoju kraštu	X	X	X	X	X	X
„Envelope (Commercial #9)“ 98,4 x 225,4 mm (3,875 x 8,9 col.)	Dedant trumpuoju kraštu	X	X	X	X	X	X
„Envelope (Commercial #10)“ 104,8 x 241,3 mm (4,12 x 9,5 col.)	Dedant trumpuoju kraštu	X	X	X	X	X	X
„Envelope (Monarch 7-3/4)“ 98,4 x 190,5 mm (3,875 x 7,5 col.)	Dedant trumpuoju kraštu	X	X	X	X	X	X
„Envelope“ (DL) 110 x 220 mm (4,33 x 8,66 col.)	Dedant trumpuoju kraštu	X	X	X	X	X	X
„Envelope (ISO C4)“ 229 x 324 mm (9 x 12,8 col.)	Dedant trumpuoju kraštu	X	X	X	X	X	X
„Envelope (ISO C5)“ 162 x 229 mm (6,38 x 9 col.)	Dedant trumpuoju kraštu	X	X	X	X	X	X

### Popieriaus formatai, palaikomi atliekant lankstymo užduotis

### Popieriaus formatai, kuriuos palaiko popieriaus gabenimo su lankstymu papildomas įtaisai

Popieriaus formatas	Orientacija	Tik popieriaus gabenimo su lankstymu papildomas įtaisai			
		C sulenkimas	Z sulenkimas	Z sulenkimas, pusė lapo	V sulenkimas
		Standartinė dėtuvė	Standartinė dėtuvė	Standartinė dėtuvė	Standartinė dėtuvė
<b>4x6 kortelė</b>	Dedant trumpuoju kraštu	X	X	X	X
	Dedant ilguoju kraštu	X	X	X	X
<b>A6</b> 105 x 148 mm (4,13 x 5,83 col.)	Dedant trumpuoju kraštu	X	X	X	X
	Dedant ilguoju kraštu	X	X	X	X

Popieriaus formatas	Orientacija	Tik popieriaus gabenimo su lankstymu papildomas įtaisai			
		C sulenkimas	Z sulenkimas	Z sulenkimas, pusė lapo	V sulenkimas
		Standartinė dėtuvė	Standartinė dėtuvė	Standartinė dėtuvė	Standartinė dėtuvė
<b>1/3 A4</b>	Dedant trumpuoju kraštu	X	X	X	X
	Dedant ilguoju kraštu	X	X	X	X
<b>A5</b> 148 x 210 mm (5,83 x 8,27 col.)	Dedant trumpuoju kraštu	X	X	X	X
	Dedant ilguoju kraštu	X	X	X	X
<b>A4</b> 210 x 297 mm (8,27 x 11,7 col.)	Dedant trumpuoju kraštu	✓	✓	✓	✓
	Dedant ilguoju kraštu	X	X	X	X
<b>A3</b> 297 x 420 mm (11,69 x 16,54 col.)	Dedant trumpuoju kraštu	✓	✓	✓	✓
<b>JIS B5</b> 182 x 257 mm (7,17 x 10,1 col.)	Dedant trumpuoju kraštu	X	X	X	X
	Dedant ilguoju kraštu	X	X	X	X
<b>JIS B4</b> 257 x 364 mm (10,12 x 14,33 col.)	Dedant trumpuoju kraštu	X	X	✓	✓
<b>„Statement“</b> 139,7 x 215,9 mm (5,5 x 8,5 col.)	Dedant trumpuoju kraštu	X	X	X	X
	Dedant ilguoju kraštu	X	X	X	X
<b>„Executive“</b> 184,2 x 266,7 mm (7,25 x 10,5 col.)	Dedant trumpuoju kraštu	X	X	X	X
	Dedant ilguoju kraštu	X	X	X	X
<b>„Letter“</b> 215,9 x 279,4 mm (8,5 x 11 col.)	Dedant trumpuoju kraštu	✓	✓	✓	✓
	Dedant ilguoju kraštu	X	X	X	X
<b>„Folio“</b> 215,9 x 330,2 mm (8,5 x 13 col.)	Dedant trumpuoju kraštu	X	X	X	X

Popieriaus formatas	Orientacija	Tik popieriaus gabenimo su lankstymu papildomas įtaisas			
		C sulenkimas	Z sulenkimas	Z sulenkimas, pusė lapo	V sulenkimas
		Standartinė dėtuvė	Standartinė dėtuvė	Standartinė dėtuvė	Standartinė dėtuvė
<b>„Oficio (Mexico)“</b> 215.9 x 340.4 mm (8,5 x 13,4 col.)	Dedant trumpuoju kraštu	✓	✓	✓	✓
<b>„Legal“</b> 215,9 x 355,6 mm (8,5 x 14 col.)	Dedant trumpuoju kraštu	✓	✓	✓	✓
<b>„Ledger“</b> 279,4 x 431,8 mm (11 x 17 col.)	Dedant trumpuoju kraštu	✓	✓	✓	✓
<b>12x18</b> 304,8 x 457,2 mm (12 x 18 col.)	Dedant trumpuoju kraštu	X	X	X	X
<b>SRA3</b> 320,04 x 449,58 mm (12,6 x 17,7 col.)	Dedant trumpuoju kraštu	X	X	X	X
<b>„Envelope (Choukei #3)“</b> 120 x 235 mm (4,75 x 9,25 col.)	Dedant trumpuoju kraštu	X	X	X	X
<b>„Hagaki“</b> 100 x 148 mm (3,94 x 5,83 col.)	Dedant trumpuoju kraštu	X	X	X	X
<b>„B5 Envelope“</b> 176 x 250 mm (6,93 x 9,84 col.)	Dedant trumpuoju kraštu	X	X	X	X
<b>„Envelope (Commercial #9)“</b> 98,4 x 225,4 mm (3,875 x 8,9 col.)	Dedant trumpuoju kraštu	X	X	X	X
<b>„Envelope (Commercial #10)“</b> 104,8 x 241,3 mm (4,12 x 9,5 col.)	Dedant trumpuoju kraštu	X	X	X	X
<b>„Envelope (Monarch 7-3/4)“</b> 98,4 x 190,5 mm (3,875 x 7,5 col.)	Dedant trumpuoju kraštu	X	X	X	X
<b>„Envelope“ (DL)</b> 110 x 220 mm (4,33 x 8,66 col.)	Dedant trumpuoju kraštu	X	X	X	X

Popieriaus formatas	Orientacija	Tik popieriaus gabenimo su lankstymu papildomas įtaisas			
		C sulenkimas	Z sulenkimas	Z sulenkimas, pusė lapo	V sulenkimas
		Standartinė dėtuvė	Standartinė dėtuvė	Standartinė dėtuvė	Standartinė dėtuvė
„Envelope (ISO C4)“ 229 x 324 mm (9 x 12,8 col.)	Dedant trumpuoju kraštu	X	X	X	X
„Envelope (ISO C5)“ 162 x 229 mm (6,38 x 9 col.)	Dedant trumpuoju kraštu	X	X	X	X

### Popieriaus formatai, kuriuos palaiko popieriaus gabenimo ir brošiūrų apipavidalinimo įtaisas

Popieriaus formatas	Orientacija	Popieriaus gabenimo įtaisas + brošiūrų apipavidalinimo įtaisas	
		V kelių sulenkimų	V sulenkimas
		2 dėtuvė	Standartinė dėtuvė, 1 dėtuvė, 2 dėtuvė
<b>4x6 kortelė</b>	Dedant trumpuoju kraštu	X	X
	Dedant ilguoju kraštu	X	X
<b>A6</b> 105 x 148 mm (4,13 x 5,83 col.)	Dedant trumpuoju kraštu	X	X
	Dedant ilguoju kraštu	X	X
<b>1/3 A4</b>	Dedant trumpuoju kraštu	X	X
	Dedant ilguoju kraštu	X	X
<b>A5</b> 148 x 210 mm (5,83 x 8,27 col.)	Dedant trumpuoju kraštu	X	X
	Dedant ilguoju kraštu	X	X
<b>A4</b> 210 x 297 mm (8,27 x 11,7 col.)	Dedant trumpuoju kraštu	✓	✓
	Dedant ilguoju kraštu	X	X
<b>A3</b> 297 x 420 mm (11,69 x 16,54 col.)	Dedant trumpuoju kraštu	✓	✓
<b>JIS B5</b> 182 x 257 mm (7,17 x 10,1 col.)	Dedant trumpuoju kraštu	✓	✓
	Dedant ilguoju kraštu	X	X
<b>JIS B4</b> 257 x 364 mm (10,12 x 14,33 col.)	Dedant trumpuoju kraštu	✓	✓
„Statement“ 139,7 x 215,9 mm (5,5 x 8,5 col.)	Dedant trumpuoju kraštu	X	X
	Dedant ilguoju kraštu	X	X

Popieriaus formatas	Orientacija	Popieriaus gabenimo įtaisas + brošiūrų apipavidalinimo įtaisas	
		V kelių sulenkimų	V sulenkimas
		2 dėtuvė	Standartinė dėtuvė, 1 dėtuvė, 2 dėtuvė
<b>„Executive“</b> 184,2 x 266,7 mm (7,25 x 10,5 col.)	Dedant trumpuoju kraštu	X	X
	Dedant ilguoju kraštu	X	X
<b>„Letter“</b> 215,9 x 279,4 mm (8,5 x 11 col.)	Dedant trumpuoju kraštu	✓	✓
	Dedant ilguoju kraštu	X	X
<b>„Folio“</b> 215,9 x 330,2 mm (8,5 x 13 col.)	Dedant trumpuoju kraštu	✓	✓
<b>„Oficio (Mexico)“</b> 215,9 x 340,4 mm (8,5 x 13,4 col.)	Dedant trumpuoju kraštu	✓	✓
<b>„Legal“</b> 215,9 x 355,6 mm (8,5 x 14 col.)	Dedant trumpuoju kraštu	✓	✓
<b>„Ledger“</b> 279,4 x 431,8 mm (11 x 17 col.)	Dedant trumpuoju kraštu	✓	✓
<b>12x18</b> 304,8 x 457,2 mm (12 x 18 col.)	Dedant trumpuoju kraštu	✓	✓
<b>SRA3</b> 320,04 x 449,58 mm (12,6 x 17,7 col.)	Dedant trumpuoju kraštu	✓	✓
<b>„Envelope (Choukei #3)“</b> 120 x 235 mm (4,75 x 9,25 col.)	Dedant trumpuoju kraštu	X	X
<b>„Hagaki“</b> 100 x 148 mm (3,94 x 5,83 col.)	Dedant trumpuoju kraštu	X	X
<b>„B5 Envelope“</b> 176 x 250 mm (6,93 x 9,84 col.)	Dedant trumpuoju kraštu	X	X
<b>„Envelope (Commercial #9)“</b> 98,4 x 225,4 mm (3,875 x 8,9 col.)	Dedant trumpuoju kraštu	X	X



Popieriaus formatas	Orientacija	Popieriaus gabenimo įtaisas + brošiūrų apipavidalinimo įtaisas	
		V kelių sulenkimų	V sulenkimas
		2 dėtuvė	Standartinė dėtuvė, 1 dėtuvė, 2 dėtuvė
„Envelope (Commercial #10)“ 104,8 x 241,3 mm (4,12 x 9,5 col.)	Dedant trumpuoju kraštu	X	X
„Envelope (Monarch 7-3/4)“ 98,4 x 190,5 mm (3,875 x 7,5 col.)	Dedant trumpuoju kraštu	X	X
„Envelope“ (DL) 110 x 220 mm (4,33 x 8,66 col.)	Dedant trumpuoju kraštu	X	X
„Envelope (ISO C4)“ 229 x 324 mm (9 x 12,8 col.)	Dedant trumpuoju kraštu	X	X
„Envelope (ISO C5)“ 162 x 229 mm (6,38 x 9 col.)	Dedant trumpuoju kraštu	X	X

**Popieriaus formatai, kuriuos palaiko popieriaus gabenimo su lankstymu papildomas įtaisas ir sąsagėlių, skylmušos įtaisas**

Popieriaus formatas	Orientacija	Popieriaus gabenimo su lankstymu papildomas įtaisas + sąsagėlių, skylmušos įtaisas			
		C sulenkimas	Z sulenkimas	Z sulenkimas, pusė lapo	V sulenkimas
		2 dėtuvė	2 dėtuvė	Standartinė dėtuvė, 2 dėtuvė	Standartinė dėtuvė, 2 dėtuvė
<b>4x6 kortelė</b>	Dedant trumpuoju kraštu	X	X	X	X
	Dedant ilguoju kraštu	X	X	X	X
<b>A6</b> 105 x 148 mm (4,13 x 5,83 col.)	Dedant trumpuoju kraštu	X	X	X	X
	Dedant ilguoju kraštu	X	X	X	X
<b>1/3 A4</b>	Dedant trumpuoju kraštu	X	X	X	X
	Dedant ilguoju kraštu	X	X	X	X
<b>A5</b> 148 x 210 mm (5,83 x 8,27 col.)	Dedant trumpuoju kraštu	X	X	X	X
	Dedant ilguoju kraštu	X	X	X	X

Popieriaus formatas	Orientacija	Popieriaus gabenimo su lankstymu papildomas įtaisas + sąsagėlių, skylmušos įtaisas			
		C sulenkimas	Z sulenkimas	Z sulenkimas, pusė lapo	V sulenkimas
		2 dėtuvė	2 dėtuvė	Standartinė dėtuvė, 2 dėtuvė	Standartinė dėtuvė, 2 dėtuvė
<b>A4</b> 210 x 297 mm (8,27 x 11,7 col.)	Dedant trumpuoju kraštu	✓	✓	✓	✓
	Dedant ilguoju kraštu	X	X	X	X
<b>A3</b> 297 x 420 mm (11,69 x 16,54 col.)	Dedant trumpuoju kraštu	✓	✓	✓	✓
<b>JIS B5</b> 182 x 257 mm (7,17 x 10,1 col.)	Dedant trumpuoju kraštu	X	X	X	X
	Dedant ilguoju kraštu	X	X	X	X
<b>JIS B4</b> 257 x 364 mm (10,12 x 14,33 col.)	Dedant trumpuoju kraštu	X	X	✓	✓
<b>„Statement“</b> 139,7 x 215,9 mm (5,5 x 8,5 col.)	Dedant trumpuoju kraštu	X	X	X	X
	Dedant ilguoju kraštu	X	X	X	X
<b>„Executive“</b> 184,2 x 266,7 mm (7,25 x 10,5 col.)	Dedant trumpuoju kraštu	X	X	X	X
	Dedant ilguoju kraštu	X	X	X	X
<b>„Letter“</b> 215,9 x 279,4 mm (8,5 x 11 col.)	Dedant trumpuoju kraštu	✓	✓	✓	✓
	Dedant ilguoju kraštu	X	X	X	X
<b>„Folio“</b> 215,9 x 330,2 mm (8,5 x 13 col.)	Dedant trumpuoju kraštu	X	X	X	X
<b>„Oficio (Mexico)“</b> 215,9 x 340,4 mm (8,5 x 13,4 col.)	Dedant trumpuoju kraštu	✓	✓	✓	✓
<b>„Legal“</b> 215,9 x 355,6 mm (8,5 x 14 col.)	Dedant trumpuoju kraštu	✓	✓	✓	✓
<b>„Ledger“</b> 279,4 x 431,8 mm (11 x 17 col.)	Dedant trumpuoju kraštu	✓	✓	✓	✓
<b>12x18</b> 304,8 x 457,2 mm (12 x 18 col.)	Dedant trumpuoju kraštu	X	X	X	✓

Popieriaus formatas	Orientacija	Popieriaus gabenimo su lankstymu papildomas įtaisas + sąsagėlių, skylmušos įtaisas			
		C sulenkimas	Z sulenkimas	Z sulenkimas, pusė lapo	V sulenkimas
		2 dėtuvė	2 dėtuvė	Standartinė dėtuvė, 2 dėtuvė	Standartinė dėtuvė, 2 dėtuvė
<b>SRA3</b> 320,04 x 449,58 mm (12,6 x 17,7 col.)	Dedant trumpuoju kraštu	X	X	X	✓
„Envelope (Choukei #3)“ 120 x 235 mm (4,75 x 9,25 col.)	Dedant trumpuoju kraštu	X	X	X	X
„Hagaki“ 100 x 148 mm (3,94 x 5,83 col.)	Dedant trumpuoju kraštu	X	X	X	X
„B5 Envelope“ 176 x 250 mm (6,93 x 9,84 col.)	Dedant trumpuoju kraštu	X	X	X	X
„Envelope (Commercial #9)“ 98,4 x 225,4 mm (3,875 x 8,9 col.)	Dedant trumpuoju kraštu	X	X	X	X
„Envelope (Commercial #10)“ 104,8 x 241,3 mm (4,12 x 9,5 col.)	Dedant trumpuoju kraštu	X	X	X	X
„Envelope (Monarch 7-3/4)“ 98,4 x 190,5 mm (3,875 x 7,5 col.)	Dedant trumpuoju kraštu	X	X	X	X
„Envelope“ (DL) 110 x 220 mm (4,33 x 8,66 col.)	Dedant trumpuoju kraštu	X	X	X	X
„Envelope (ISO C4)“ 229 x 324 mm (9 x 12,8 col.)	Dedant trumpuoju kraštu	X	X	X	X
„Envelope (ISO C5)“ 162 x 229 mm (6,38 x 9 col.)	Dedant trumpuoju kraštu	X	X	X	X

**Popieriaus formatai, kuriuos palaiko popieriaus gabenimo su lankstymu papildomas įtaisas ir brošiūrų apipavidalinimo įtaisas**

Popieriaus formatas	Orientacija	Popieriaus gabenimo su lankstymu papildomas įtaisas + brošiūrų apipavidalinimo įtaisas				
		C sulenkimas	Z sulenkimas	Z sulenkimas, pusė lapo	V kelių sulenkimų	V sulenkimas
		3 dėtuvė	3 dėtuvė	Standartinė dėtuvė, 1 dėtuvė, 3 dėtuvė	2 dėtuvė	Standartinė dėtuvė, 1 dėtuvė, 2 dėtuvė, 3 dėtuvė
<b>4x6 kortelė</b>	Dedant trumpuoju kraštu	X	X	X	X	X
	Dedant ilguoju kraštu	X	X	X	X	X
<b>A6</b> 105 x 148 mm (4,13 x 5,83 col.)	Dedant trumpuoju kraštu	X	X	X	X	X
	Dedant ilguoju kraštu	X	X	X	X	X
<b>1/3 A4</b>	Dedant trumpuoju kraštu	X	X	X	X	X
	Dedant ilguoju kraštu	X	X	X	X	X
<b>A5</b> 148 x 210 mm (5,83 x 8,27 col.)	Dedant trumpuoju kraštu	X	X	X	X	X
	Dedant ilguoju kraštu	X	X	X	X	X
<b>A4</b> 210 x 297 mm (8,27 x 11,7 col.)	Dedant trumpuoju kraštu	✓	✓	✓	✓	✓
	Dedant ilguoju kraštu	X	X	X	X	X
<b>A3</b> 297 x 420 mm (11,69 x 16,54 col.)	Dedant trumpuoju kraštu	✓	✓	✓	✓	✓
<b>JIS B5</b> 182 x 257 mm (7,17 x 10,1 col.)	Dedant trumpuoju kraštu	X	X	X	✓	✓
	Dedant ilguoju kraštu	X	X	X	X	X
<b>JIS B4</b> 257 x 364 mm (10,12 x 14,33 col.)	Dedant trumpuoju kraštu	X	X	✓	✓	✓
<b>„Statement“</b> 139,7 x 215,9 mm (5,5 x 8,5 col.)	Dedant trumpuoju kraštu	X	X	X	X	X
	Dedant ilguoju kraštu	X	X	X	X	X

Popieriaus formatas	Orientacija	Popieriaus gabenimo su lankstymu papildomas įtaisas + brošiūrų apipavidalinimo įtaisas				
		C sulenkimas	Z sulenkimas	Z sulenkimas, pusė lapo	V kelių sulenkimų	V sulenkimas
		3 dėtuvė	3 dėtuvė	Standartinė dėtuvė, 1 dėtuvė, 3 dėtuvė	2 dėtuvė	Standartinė dėtuvė, 1 dėtuvė, 2 dėtuvė, 3 dėtuvė
<b>„Executive“</b> 184,2 x 266,7 mm (7,25 x 10,5 col.)	Dedant trumpuoju kraštu	X	X	X	X	X
	Dedant ilguoju kraštu	X	X	X	X	X
<b>„Letter“</b> 215,9 x 279,4 mm (8,5 x 11 col.)	Dedant trumpuoju kraštu	✓	✓	✓	✓	✓
	Dedant ilguoju kraštu	X	X	X	X	X
<b>„Folio“</b> 215,9 x 330,2 mm (8,5 x 13 col.)	Dedant trumpuoju kraštu	X	X	X	✓	✓
<b>„Oficio (Mexico)“</b> 215,9 x 340,4 mm (8,5 x 13,4 col.)	Dedant trumpuoju kraštu	✓	✓	✓	✓	✓
<b>„Legal“</b> 215,9 x 355,6 mm (8,5 x 14 col.)	Dedant trumpuoju kraštu	✓	✓	✓	✓	✓
<b>„Ledger“</b> 279,4 x 431,8 mm (11 x 17 col.)	Dedant trumpuoju kraštu	✓	✓	✓	✓	✓
<b>12x18</b> 304,8 x 457,2 mm (12 x 18 col.)	Dedant trumpuoju kraštu	X	X	X	X	✓
<b>SRA3</b> 320,04 x 449,58 mm (12,6 x 17,7 col.)	Dedant trumpuoju kraštu	X	X	X	X	✓
<b>„Envelope (Choukei #3)“</b> 120 x 235 mm (4,75 x 9,25 col.)	Dedant trumpuoju kraštu	X	X	X	X	X
<b>„Hagaki“</b> 100 x 148 mm (3,94 x 5,83 col.)	Dedant trumpuoju kraštu	X	X	X	X	X
<b>„B5 Envelope“</b> 176 x 250 mm (6,93 x 9,84 col.)	Dedant trumpuoju kraštu	X	X	X	X	X

Popieriaus formatas	Orientacija	Popieriaus gabenimo su lankstymu papildomas įtaisas + brošiūrų apipavidalinimo įtaisas				
		C sulenkimas	Z sulenkimas	Z sulenkimas, pusė lapo	V kelių sulenkimų	V sulenkimas
		3 dėtuvė	3 dėtuvė	Standartinė dėtuvė, 1 dėtuvė, 3 dėtuvė	2 dėtuvė	Standartinė dėtuvė, 1 dėtuvė, 2 dėtuvė, 3 dėtuvė
„Envelope (Commercial #9)“ 98,4 x 225,4 mm (3,875 x 8,9 col.)	Dedant trumpuoju kraštu	X	X	X	X	X
„Envelope (Commercial #10)“ 104,8 x 241,3 mm (4,12 x 9,5 col.)	Dedant trumpuoju kraštu	X	X	X	X	X
„Envelope (Monarch 7-3/4)“ 98,4 x 190,5 mm (3,875 x 7,5 col.)	Dedant trumpuoju kraštu	X	X	X	X	X
„Envelope“ (DL) 110 x 220 mm (4,33 x 8,66 col.)	Dedant trumpuoju kraštu	X	X	X	X	X
„Envelope (ISO C4)“ 229 x 324 mm (9 x 12,8 col.)	Dedant trumpuoju kraštu	X	X	X	X	X
„Envelope (ISO C5)“ 162 x 229 mm (6,38 x 9 col.)	Dedant trumpuoju kraštu	X	X	X	X	X

## Popieriaus formatai, palaikomi atliekant grupavimo užduotis

### Popieriaus formatai, kuriuos palaiko grupavimo įtaisas arba sąsagėlių segiklis

Popieriaus formatas	Orientacija	Grupavimo įtaisas	Sąsagėlių segiklis
4x6 kortelė	Dedant trumpuoju kraštu	X	X
	Dedant ilguoju kraštu	X	X
A6 105 x 148 mm (4,13 x 5,83 col.)	Dedant trumpuoju kraštu	X	X
	Dedant ilguoju kraštu	X	X
1/3 A4	Dedant trumpuoju kraštu	X	X
	Dedant ilguoju kraštu	X	X

<sup>1</sup> Palaikomas nuo 90 x 148 mm (3,55 x 5,83 col.) iki 320 x 600 mm (12,59 x 23.62 col.) formato popierius.

<sup>2</sup> Palaikomas nuo 148 x 148 mm (5,83 x 5,83 col.) iki 297 x 431,8 mm (11,69 x 17 col.) formato popierius.

Popieriaus formatas	Orientacija	Grupavimo įtaisas	Sąsagėlių segiklis
<b>A5</b> 148 x 210 mm (5,83 x 8,27 col.)	Dedant trumpuoju kraštu	✓	✓
	Dedant ilguoju kraštu	✓	✓
<b>A4</b> 210 x 297 mm (8,27 x 11,7 col.)	Dedant trumpuoju kraštu	✓	✓
	Dedant ilguoju kraštu	✓	✓
<b>A3</b> 297 x 420 mm (11,69 x 16,54 col.)	Dedant trumpuoju kraštu	✓	✓
<b>JIS B5</b> 182 x 257 mm (7,17 x 10,1 col.)	Dedant trumpuoju kraštu	✓	✓
	Dedant ilguoju kraštu	✓	✓
<b>JIS B4</b> 257 x 364 mm (10,12 x 14,33 col.)	Dedant trumpuoju kraštu	✓	✓
<b>„Statement“</b> 139,7 x 215,9 mm (5,5 x 8,5 col.)	Dedant trumpuoju kraštu	✓	X
	Dedant ilguoju kraštu	✓	X
<b>„Executive“</b> 184,2 x 266,7 mm (7,25 x 10,5 col.)	Dedant trumpuoju kraštu	✓	✓
	Dedant ilguoju kraštu	✓	✓
<b>„Letter“</b> 215,9 x 279,4 mm (8,5 x 11 col.)	Dedant trumpuoju kraštu	✓	✓
	Dedant ilguoju kraštu	✓	✓
<b>„Folio“</b> 215,9 x 330,2 mm (8,5 x 13 col.)	Dedant trumpuoju kraštu	✓	✓
<b>„Oficio (Mexico)“</b> 215,9 x 340,4 mm (8,5 x 13,4 col.)	Dedant trumpuoju kraštu	✓	✓
<b>„Legal“</b> 215,9 x 355,6 mm (8,5 x 14 col.)	Dedant trumpuoju kraštu	✓	✓
<b>„Ledger“</b> 279,4 x 431,8 mm (11 x 17 col.)	Dedant trumpuoju kraštu	✓	✓
<b>12x18</b> 304,8 x 457,2 mm (12 x 18 col.)	Dedant trumpuoju kraštu	X	X

<sup>1</sup> Palaikomas nuo 90 x 148 mm (3,55 x 5,83 col.) iki 320 x 600 mm (12,59 x 23,62 col.) formato popierius.

<sup>2</sup> Palaikomas nuo 148 x 148 mm (5,83 x 5,83 col.) iki 297 x 431,8 mm (11,69 x 17 col.) formato popierius.

Popieriaus formatas	Orientacija	Grupavimo įtaisas	Sąsagėlių segiklis
<b>SRA3</b> 320,04 x 449,58 mm (12,6 x 17,7 col.)	Dedant trumpuoju kraštu	X	X
„Envelope (Choukei #3)“ 120 x 235 mm (4,75 x 9,25 col.)	Dedant trumpuoju kraštu	✓	X
„Hagaki“ 100 x 148 mm (3,94 x 5,83 col.)	Dedant trumpuoju kraštu	✓	X
„B5 Envelope“ 176 x 250 mm (6,93 x 9,84 col.)	Dedant trumpuoju kraštu	✓	X
„Envelope (Commercial #9)“ 98,4 x 225,4 mm (3,875 x 8,9 col.)	Dedant trumpuoju kraštu	✓	X
„Envelope (Commercial #10)“ 104,8 x 241,3 mm (4,12 x 9,5 col.)	Dedant trumpuoju kraštu	✓	X
„Envelope (Monarch 7-3/4)“ 98,4 x 190,5 mm (3,875 x 7,5 col.)	Dedant trumpuoju kraštu	✓	X
„Envelope“ (DL) 110 x 220 mm (4,33 x 8,66 col.)	Dedant trumpuoju kraštu	✓	X
„Envelope (ISO C4)“ 229 x 324 mm (9 x 12,8 col.)	Dedant trumpuoju kraštu	✓	X
„Envelope (ISO C5)“ 162 x 229 mm (6,38 x 9 col.)	Dedant trumpuoju kraštu	✓	X
„Universal“	Nėra	✓ <sup>1</sup>	✓ <sup>2</sup>
<sup>1</sup> Palaikomas nuo 90 x 148 mm (3,55 x 5,83 col.) iki 320 x 600 mm (12,59 x 23.62 col.) formato popierius. <sup>2</sup> Palaikomas nuo 148 x 148 mm (5,83 x 5,83 col.) iki 297 x 431,8 mm (11,69 x 17 col.) formato popierius.			



**Popieriaus formatai, kuriuos palaiko išvesčių dėtuvs**

Popieriaus formatas	Orientacija	Popieriaus gabenimo įtaisas + sąsagėlių, skylmušos įtaisas	
		1 dėtuvs	1 dėtuvs
<b>4x6 kortelė</b>	Dedant trumpuoju kraštu	X	X
	Dedant ilguoju kraštu	X	X
<b>A6</b> 105 x 148 mm (4,13 x 5,83 col.)	Dedant trumpuoju kraštu	X	X
	Dedant ilguoju kraštu	X	X
<b>1/3 A4</b>	Dedant trumpuoju kraštu	X	X
	Dedant ilguoju kraštu	X	X
<b>A5</b> 148 x 210 mm (5,83 x 8,27 col.)	Dedant trumpuoju kraštu	✓	✓
	Dedant ilguoju kraštu	✓	✓
<b>A4</b> 210 x 297 mm (8,27 x 11,7 col.)	Dedant trumpuoju kraštu	✓	✓
	Dedant ilguoju kraštu	✓	✓
<b>A3</b> 297 x 420 mm (11,69 x 16,54 col.)	Dedant trumpuoju kraštu	✓	✓
<b>JIS B5</b> 182 x 257 mm (7,17 x 10,1 col.)	Dedant trumpuoju kraštu	✓	✓
	Dedant ilguoju kraštu	✓	✓
<b>JIS B4</b> 257 x 364 mm (10,12 x 14,33 col.)	Dedant trumpuoju kraštu	✓	✓
<b>„Statement“</b> 139,7 x 215,9 mm (5,5 x 8,5 col.)	Dedant trumpuoju kraštu	✓	✓
	Dedant ilguoju kraštu	✓	✓
<b>„Executive“</b> 184,2 x 266,7 mm (7,25 x 10,5 col.)	Dedant trumpuoju kraštu	✓	✓
	Dedant ilguoju kraštu	✓	✓
<b>„Letter“</b> 215,9 x 279,4 mm (8,5 x 11 col.)	Dedant trumpuoju kraštu	✓	✓
	Dedant ilguoju kraštu	✓	✓
<b>„Folio“</b> 215,9 x 330,2 mm (8,5 x 13 col.)	Dedant trumpuoju kraštu	✓	✓

<sup>1</sup> Palaikomas nuo 139,7 x 148 mm (5,5 x 5,83 col.) iki 304,8 x 600 mm (12 x 23,62 col.) formato popierius.

<sup>2</sup> Palaikomas nuo 125 x 148 mm (4,93 x 5,83 col.) iki 304,8 x 457,2 mm (12 x 18 col.) formato popierius.

Popieriaus formatas	Orientacija	Popieriaus gabenimo įtaisas + sąsagėlių, skylmušos įtaisas	Popieriaus gabenimo įtaisas + brošiūrų apipavidalinimo įtaisas
		1 dėtuve	1 dėtuve
„Oficio (Mexico)“ 215.9 x 340.4 mm (8,5 x 13,4 col.)	Dedant trumpuoju kraštu	✓	✓
„Legal“ 215,9 x 355,6 mm (8,5 x 14 col.)	Dedant trumpuoju kraštu	✓	✓
„Ledger“ 279,4 x 431,8 mm (11 x 17 col.)	Dedant trumpuoju kraštu	✓	✓
<b>12x18</b> 304,8 x 457,2 mm (12 x 18 col.)	Dedant trumpuoju kraštu	✓	✓
<b>SRA3</b> 320,04 x 449,58 mm (12,6 x 17,7 col.)	Dedant trumpuoju kraštu	X	X
„Envelope (Choukei #3)“ 120 x 235 mm (4,75 x 9,25 col.)	Dedant trumpuoju kraštu	X	X
„Hagaki“ 100 x 148 mm (3,94 x 5,83 col.)	Dedant trumpuoju kraštu	X	X
„B5 Envelope“ 176 x 250 mm (6,93 x 9,84 col.)	Dedant trumpuoju kraštu	X	X
„Envelope (Commercial #9)“ 98,4 x 225,4 mm (3,875 x 8,9 col.)	Dedant trumpuoju kraštu	X	X
„Envelope (Commercial #10)“ 104,8 x 241,3 mm (4,12 x 9,5 col.)	Dedant trumpuoju kraštu	X	X
„Envelope (Monarch 7-3/4)“ 98,4 x 190,5 mm (3,875 x 7,5 col.)	Dedant trumpuoju kraštu	X	X
„Envelope“ (DL) 110 x 220 mm (4,33 x 8,66 col.)	Dedant trumpuoju kraštu	X	X

<sup>1</sup> Palaikomas nuo 139,7 x 148 mm (5,5 x 5,83 col.) iki 304,8 x 600 mm (12 x 23,62 col.) formato popierius.

<sup>2</sup> Palaikomas nuo 125 x 148 mm (4,93 x 5,83 col.) iki 304,8 x 457,2 mm (12 x 18 col.) formato popierius.

Popieriaus formatas	Orientacija	Popieriaus gabenimo įtaisais + sąsagėlių, skylmušos įtaisais	Popieriaus gabenimo įtaisais + brošiūrų apipavidalinimo įtaisais
		1 dėtuvė	1 dėtuvė
„Envelope (ISO C4)“ 229 x 324 mm (9 x 12,8 col.)	Dedant trumpuoju kraštu	X	X
„Envelope (ISO C5)“ 162 x 229 mm (6,38 x 9 col.)	Dedant trumpuoju kraštu	X	X
„Universal“	Nėra	✓ <sup>1</sup>	✓ <sup>2</sup>

<sup>1</sup> Palaikomas nuo 139,7 x 148 mm (5,5 x 5,83 col.) iki 304,8 x 600 mm (12 x 23,62 col.) formato popierius.  
<sup>2</sup> Palaikomas nuo 125 x 148 mm (4,93 x 5,83 col.) iki 304,8 x 457,2 mm (12 x 18 col.) formato popierius.

### Popieriaus formatai, palaikomi išvesčių dėtuvėse (naudojant popieriaus gabenimo su lankstymu papildomą įtaisą)

Popieriaus formatas	Orientacija	Popieriaus gabenimo su lankstymu papildomas įtaisais + sąsagėlių, skylmušos įtaisais	Popieriaus gabenimo su lankstymu papildomas įtaisais + brošiūrų apipavidalinimo įtaisais
		1 dėtuvė	1 dėtuvė
<b>4x6 kortelė</b>	Dedant trumpuoju kraštu	X	X
	Dedant ilguoju kraštu	X	X
<b>A6</b> 105 x 148 mm (4,13 x 5,83 col.)	Dedant trumpuoju kraštu	X	X
	Dedant ilguoju kraštu	X	X
<b>1/3 A4</b>	Dedant trumpuoju kraštu	X	X
	Dedant ilguoju kraštu	X	X
<b>A5</b> 148 x 210 mm (5,83 x 8,27 col.)	Dedant trumpuoju kraštu	✓	✓
	Dedant ilguoju kraštu	✓	✓
<b>A4</b> 210 x 297 mm (8,27 x 11,7 col.)	Dedant trumpuoju kraštu	✓	✓
	Dedant ilguoju kraštu	✓	✓
<b>A3</b> 297 x 420 mm (11,69 x 16,54 col.)	Dedant trumpuoju kraštu	✓	✓
<b>JIS B5</b> 182 x 257 mm (7,17 x 10,1 col.)	Dedant trumpuoju kraštu	✓	✓
	Dedant ilguoju kraštu	✓	✓

<sup>1</sup> Palaikomas nuo 139,7 x 148 mm (5,5 x 5,83 col.) iki 304,8 x 600 mm (12 x 23,62 col.) formato popierius.  
<sup>2</sup> Palaikomas nuo 125 x 148 mm (4,93 x 5,83 col.) iki 304,8 x 457,2 mm (12 x 18 col.) formato popierius.

Popieriaus formatas	Orientacija	Popieriaus gabenimo su lankstymu papildomas įtaisas + sąsagėlių, skylmušos įtaisas	Popieriaus gabenimo su lankstymu papildomas įtaisas + brošiūrų apipavidalinimo įtaisas
		1 dėtuvė	1 dėtuvė
<b>JIS B4</b> 257 x 364 mm (10,12 x 14,33 col.)	Dedant trumpuoju kraštu	✓	✓
<b>„Statement“</b> 139,7 x 215,9 mm (5,5 x 8,5 col.)	Dedant trumpuoju kraštu	✓	✓
	Dedant ilguoju kraštu	✓	✓
<b>„Executive“</b> 184,2 x 266,7 mm (7,25 x 10,5 col.)	Dedant trumpuoju kraštu	✓	✓
	Dedant ilguoju kraštu	✓	✓
<b>„Letter“</b> 215,9 x 279,4 mm (8,5 x 11 col.)	Dedant trumpuoju kraštu	✓	✓
	Dedant ilguoju kraštu	✓	✓
<b>„Folio“</b> 215,9 x 330,2 mm (8,5 x 13 col.)	Dedant trumpuoju kraštu	✓	✓
<b>„Oficio (Mexico)“</b> 215,9 x 340,4 mm (8,5 x 13,4 col.)	Dedant trumpuoju kraštu	✓	✓
<b>„Legal“</b> 215,9 x 355,6 mm (8,5 x 14 col.)	Dedant trumpuoju kraštu	✓	✓
<b>„Ledger“</b> 279,4 x 431,8 mm (11 x 17 col.)	Dedant trumpuoju kraštu	✓	✓
<b>12x18</b> 304,8 x 457,2 mm (12 x 18 col.)	Dedant trumpuoju kraštu	✓	✓
<b>SRA3</b> 320,04 x 449,58 mm (12,6 x 17,7 col.)	Dedant trumpuoju kraštu	X	X
<b>„Envelope (Choukei #3)“</b> 120 x 235 mm (4,75 x 9,25 col.)	Dedant trumpuoju kraštu	X	X
<b>„Hagaki“</b> 100 x 148 mm (3,94 x 5,83 col.)	Dedant trumpuoju kraštu	X	X

<sup>1</sup> Palaikomas nuo 139,7 x 148 mm (5,5 x 5,83 col.) iki 304,8 x 600 mm (12 x 23,62 col.) formato popierius.

<sup>2</sup> Palaikomas nuo 125 x 148 mm (4,93 x 5,83 col.) iki 304,8 x 457,2 mm (12 x 18 col.) formato popierius.

Popieriaus formatas	Orientacija	Popieriaus gabenimo su lankstymu papildomas įtaisas + sąsagėlių, skylmušos įtaisas	Popieriaus gabenimo su lankstymu papildomas įtaisas + brošiūrų apipavidalinimo įtaisas
		1 dėtuvė	1 dėtuvė
„B5 Envelope“ 176 x 250 mm (6,93 x 9,84 col.)	Dedant trumpuoju kraštu	X	X
„Envelope (Commercial #9)“ 98,4 x 225,4 mm (3,875 x 8,9 col.)	Dedant trumpuoju kraštu	X	X
„Envelope (Commercial #10)“ 104,8 x 241,3 mm (4,12 x 9,5 col.)	Dedant trumpuoju kraštu	X	X
„Envelope (Monarch 7-3/4)“ 98,4 x 190,5 mm (3,875 x 7,5 col.)	Dedant trumpuoju kraštu	X	X
„Envelope“ (DL) 110 x 220 mm (4,33 x 8,66 col.)	Dedant trumpuoju kraštu	X	X
„Envelope (ISO C4)“ 229 x 324 mm (9 x 12,8 col.)	Dedant trumpuoju kraštu	X	X
„Envelope (ISO C5)“ 162 x 229 mm (6,38 x 9 col.)	Dedant trumpuoju kraštu	X	X
„Universal“	Nėra	✓ <sup>1</sup>	✓ <sup>2</sup>

<sup>1</sup> Palaikomas nuo 139,7 x 148 mm (5,5 x 5,83 col.) iki 304,8 x 600 mm (12 x 23,62 col.) formato popierius.

<sup>2</sup> Palaikomas nuo 125 x 148 mm (4,93 x 5,83 col.) iki 304,8 x 457,2 mm (12 x 18 col.) formato popierius.

## Palaikomos popieriaus rūšys

### Popieriaus rūšys, palaikomos bazinėje konfigūracijoje

Popieriaus formatas	Standartinis 550 lapų dėklas	Daugiafunkcis tiekuvos	Abipusis spausdinimas	Automatinis dokumentų tiekuvos
Paprastas popierius	✓	✓	✓	✓
Kartoninis popierius	✓	✓	✓	X
Perdirbtas popierius	✓	✓	✓	✓
Blizgus popierius	✓	✓	✓	X
Sunkus blizgus popierius	✓	✓	✓	X
Etiketės	✓	✓	X	X

Popieriaus formatas	Standartinis 550 lapų dėklas	Daugiafunkcis tiekuvvas	Abipusis spausdinimas	Automatinis dokumentų tiekuvvas
Vinilinės etiketės	✓	✓	X	X
Standus popierius	✓	✓	✓	✓
Vokai	✓	✓	X	X
Šiurkštūs vokai	✓	✓	X	X
Firminiai blankai	✓	✓	✓	✓
Iš anksto paruoštos formos	✓	✓	✓	✓
Spalvotas popierius	✓	✓	✓	✓
Lengvas popierius	✓	✓	✓	✓
Sunkus popierius	✓	✓	✓	✓
Šiurkštus medvilninis popierius	✓	✓	✓	X
Pasirinktinė rūšis	✓	✓	✓	✓

#### Popieriaus rūšys, palaikomos papildomuose dėkluose

Popieriaus formatas	Papildomas 550 lapų dėklas	2 x 550 lapų dėklas	2000 lapų sudvejintas dėklas	1500 lapų dėklas
Paprastas popierius	✓	✓	✓	✓
Kartoninis popierius	✓	✓	✓	✓
Permatomos laikmenos	X	X	X	X
Perdirbtas popierius	✓	✓	✓	✓
Blizgus popierius	✓	✓	✓	✓
Sunkus blizgus popierius	✓	✓	✓	✓
Etiketės	✓	✓	X	X
Vinilinės etiketės	✓	✓	X	X
Standus popierius	✓	✓	✓	✓
Vokai	✓	✓	X	X
Šiurkštūs vokai	✓	✓	X	X
Firminiai blankai	✓	✓	✓	✓
Iš anksto paruoštos formos	✓	✓	✓	✓
Spalvotas popierius	✓	✓	✓	✓
Lengvas popierius	✓	✓	✓	✓
Sunkus popierius	✓	✓	✓	✓
Šiurkštus medvilninis popierius	✓	✓	✓	✓
Pasirinktinė rūšis	✓	✓	✓	✓

**Popieriaus rūšys, palaikomos išvesčių dėtuvėje**

Popieriaus formatas	Popieriaus gabenimo įtaisas + sąsagėlių, skylmušos įtaisas			Popieriaus gabenimo įtaisas + brošiūrų apipavidalinimo įtaisas			
	Standartinė dėtuvė (apipavidalinimo įtaiso viršutinė dėtuvė)	1 dėtuvė (sąsagėlių, skylmušos įtaiso, grupavimo įtaiso dėtuvė)	2 dėtuvė (popieriaus gabenimo įtaiso dėtuvė)	Standartinė dėtuvė (apipavidalinimo įtaiso viršutinė dėtuvė)	1 dėtuvė (sąsagėlių, skylmušos įtaiso, grupavimo įtaiso dėtuvė)	2 dėtuvė (apipavidalinimo įtaiso brošiūrų dėtuvė)	3 dėtuvė (popieriaus gabenimo įtaiso dėtuvė)
Paprastas popierius	✓	✓	✓	✓	✓	✓*	✓
Kartoninis popierius	✓	✓	✓	✓	✓	X	✓
Perdirbtas popierius	✓	✓	✓	✓	✓	✓*	✓
Blizgus popierius	✓	✓	✓	✓	✓	✓*	✓
Sunkus blizgus popierius	✓	✓	✓	✓	✓	X	✓
Etiketės	✓	✓	✓	✓	✓	X	X
Vinilinės etiketės	✓	✓	✓	✓	✓	X	X
Standus popierius	✓	✓	✓	✓	✓	✓*	✓
Vokai	X	X	✓	X	X	X	✓
Šiurkštūs vokai	X	X	✓	X	X	X	✓
Firminiai blankai	✓	✓	✓	✓	✓	✓*	✓
Iš anksto paruoštos formos	✓	✓	✓	✓	✓	✓*	✓
Spalvotas popierius	✓	✓	✓	✓	✓	✓*	✓
Lengvas popierius	✓	✓	✓	✓	✓	✓*	✓
Sunkus popierius	✓	✓	✓	✓	✓	X	X
Šiurkštūs medvilninis popierius	✓	✓	✓	✓	✓	X	X
Pasirinktinė rūšis	✓	✓	✓	✓	✓	✓*	✓

\* Maksimalus universalus formato popieriaus ilgis plakatinio popierius atveju yra 1320,8 x 52 col. [dėkite tik vieną plakatinio popieriaus lapą vienu metu.]

**Popieriaus rūšys, palaikomos išvesčių dėtuvėje (naudojant popieriaus gabenimo su lankstymu papildomą įtaisą)**

Popieriaus formatas	Popieriaus gabenimo su lankstymu papildomas įtaisas + sąsagėlių, skylmušos įtaisas			Popieriaus gabenimo su lankstymu papildomas įtaisas + brošiūrų apipavidalinimo įtaisas			
	Standartinė dėtuvė (apipavidalinimo įtaiso viršutinė dėtuvė)	1 dėtuvė (sąsagėlių / skylmušos įtaiso, grupavimo įtaiso dėtuvė)	2 dėtuvė (popieriaus gabenimo įtaiso dėtuvė)	Standartinė dėtuvė (apipavidalinimo įtaiso viršutinė dėtuvė)	1 dėtuvė (sąsagėlių / skylmušos įtaiso, grupavimo įtaiso dėtuvė)	2 dėtuvė (apipavidalinimo įtaiso brošiūrų dėtuvė)	3 dėtuvė (popieriaus gabenimo įtaiso dėtuvė)
Paprastas popierius	✓	✓	✓	✓	✓	✓	✓
Kartoninis popierius	✓	✓	✓	✓	✓	X	✓
Perdirbtas popierius	✓	✓	✓	✓	✓	✓	✓
Blizgus popierius	✓	✓	✓	✓	✓	✓	✓
Sunkus blizgus popierius	✓	✓	✓	✓	✓	X	✓
Etiketės	✓	✓	✓	✓	✓	X	✓
Vinilinės etiketės	✓	✓	✓	✓	✓	X	✓
Standus popierius	✓	✓	✓	✓	✓	✓	✓
Vokai	X	X	✓	X	X	X	✓
Šiurkštūs vokai	X	X	✓	X	X	X	✓
Firminiai blankai	✓	✓	✓	✓	✓	X	✓
Iš anksto paruoštos formos	✓	✓	✓	✓	✓	X	✓
Spalvotas popierius	✓	✓	✓	✓	✓	✓	✓
Lengvas popierius	✓	✓	✓	✓	✓	✓	✓
Sunkus popierius	✓	✓	✓	✓	✓	X	X
Šiurkštus medvilninis popierius	✓	✓	✓	✓	✓	X	X

\* Maksimalus universalaus formato popieriaus ilgis plakatinio popieriaus atveju yra 1320,8 x 52 col. [dėkite tik vieną plakatinio popieriaus lapą vienu metu.



Popieriaus formatas	Popieriaus gabenimo su lankstymu papildomas įtaisas + sąsagėlių, skylmušos įtaisas			Popieriaus gabenimo su lankstymu papildomas įtaisas + brošiūrų apipavidalinimo įtaisas			
	Standartinė dėtuvė (apipavidalinimo įtaiso viršutinė dėtuvė)	1 dėtuvė (sąsagėlių / skylmušos įtaiso, grupavimo įtaiso dėtuvė)	2 dėtuvė (popieriaus gabenimo įtaiso dėtuvė)	Standartinė dėtuvė (apipavidalinimo įtaiso viršutinė dėtuvė)	1 dėtuvė (sąsagėlių / skylmušos įtaiso, grupavimo įtaiso dėtuvė)	2 dėtuvė (apipavidalinimo įtaiso brošiūrų dėtuvė)	3 dėtuvė (popieriaus gabenimo įtaiso dėtuvė)
Pasirinktinė rūšis	✓	✓	✓	✓	✓	✓*	✓

\* Maksimalus universalus formato popieriaus ilgis plakatinio popieriaus atveju yra 1320,8 x 52 col. [dėkite tik vieną plakatinio popieriaus lapą vienu metu.

**Popieriaus rūšys, kurias palaiko popieriaus gabenimo su lankstymu papildomas įtaisas, grupavimo įtaisas, sąsagėlių segiklis**

Popieriaus formatas	Tik popieriaus gabenimo su lankstymu papildomas įtaisas	Grupavimo įtaisas	Sąsagėlių segiklis
Paprastas popierius	✓	✓	✓
Kartoninis popierius	✓	✓	✓
Perdirbtas popierius	✓	✓	✓
Blizgus popierius	✓	✓	✓
Sunkus blizgus popierius	✓	✓	✓
Etiketės	✓	✓	✓
Vinilinės etiketės	✓	✓	✓
Standus popierius	✓	✓	✓
Vokai	✓	✓	✓
Šiurkštūs vokai	✓	✓	✓
Firminiai blankai	✓	✓	✓
Iš anksto paruoštos formos	✓	✓	✓
Spalvotas popierius	✓	✓	✓
Lengvas popierius	✓	✓	✓
Sunkus popierius	✓	✓	✓
Šiurkštus medvilninis popierius	✓	✓	✓
Pasirinktinė rūšis	✓	✓	✓

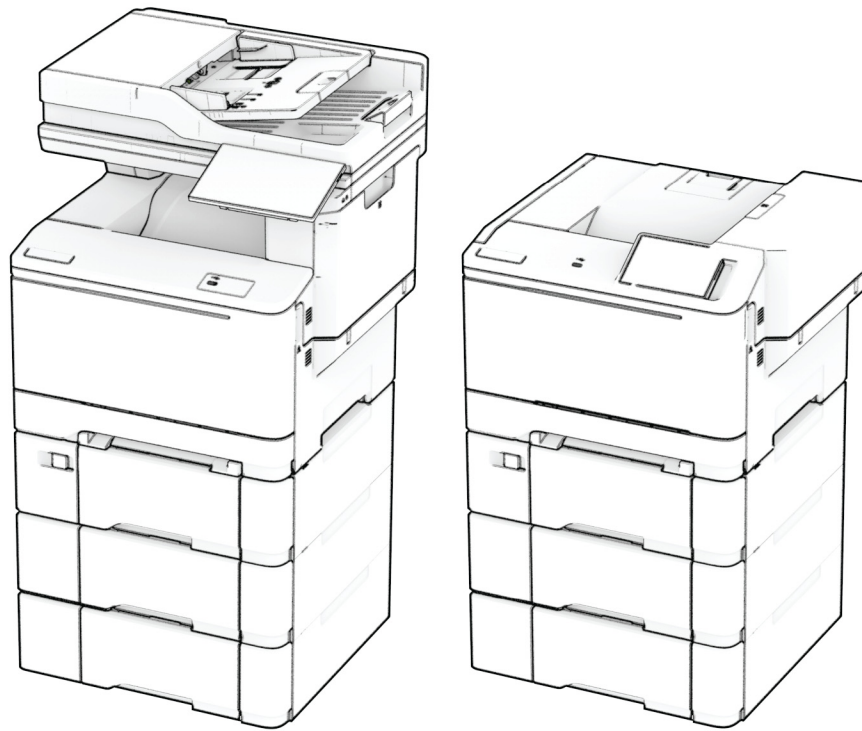
**Popieriaus rūšys, kurias palaiko sąsagėlių, skylmušos ir brošiūrų apipavidalinimo įtaisais**

Popieriaus formatas	Apipavidalinimo įtaiso viršutinė dėtuvė (standartinė dėtuvė)				Apipavidalinimo įtaiso segiklio dėtuvė (1 dėtuvė)			
	Grupavimas	Skylmuša	Susegimas	Sulenkimas	Grupavimas	Skylmuša	Susegimas	Sulenkimas
Paprastas popierius	X	✓	X	✓	✓	✓	✓	✓
Kartoninis popierius	X	X	X	X	✓	X	X	X
Perdirbtas popierius	X	✓	X	✓	✓	✓	✓	✓
Blizgus popierius	X	✓	X	✓	✓	✓	✓	✓
Sunkus blizgus popierius	X	X	X	X	✓	X	X	X
Etiketės	X	X	X	X	✓	X	X	X
Vinilinės etiketės	X	X	X	X	✓	X	X	X
Standus popierius	X	✓	X	✓	✓	✓	✓	✓
Firminiai blankai	X	✓	X	✓	✓	✓	✓	✓
Iš anksto paruoštos formos	X	✓	X	✓	✓	✓	✓	✓
Spalvotas popierius	X	✓	X	✓	✓	✓	✓	✓
Lengvas popierius	X	✓	X	✓	✓	✓	✓	✓
Sunkus popierius	X	X	X	X	✓	X	X	X
Šiurkštus medvilninis popierius	X	✓	X	X	✓	✓	X	X
Pasirinktinė rūšis	X	✓	X	✓	✓	✓	✓	✓

**Palaikomi popieriaus svoriai**

Standartinis arba papildomas 550 lapų dėklas, 2 x 550 lapų dėklas, 1500 lapų dėklas ir 2000 lapų sudvejintas dėklas	Daugiafunkcis tiektuvas	Abipusis spausdinimas	Automatinis dokumentų tiektuvas
60–300 g/m <sup>2</sup> (16–80 sv. stand.)	60–300 g/m <sup>2</sup> (16–80 sv. stand.)	60–220 g/m <sup>2</sup> (16–59 sv. stand.)	50–150 g/m <sup>2</sup> (14–40 sv. stand.)

**„Lexmark“ spausdintuvai ir daugiafunkciai spausdintuvai  
C2335, CS531, CS632, CS639, CX532, CX635, XC2335**



Toliau pateiktose lentelėse pateikiama informacija apie standartinius ir papildomus popieriaus šaltinius bei jiems tinkamus popieriaus formatus, rūšis ir svorius.

**Pastaba:** Jei sąrašė nėra pageidaujamo popieriaus formato, pasirinkite arčiausiai sąrašė esantį *didesnį* formatą.

## Palaikomi popieriaus formatai

### Popieriaus formatai, kuriuos palaiko dėklai, neautomatinis tiekimas ir dvipusis spausdinimas

Popieriaus formatas ir matmenys	Standartinis 250 lapų dėklas	Neautomatinis tiekimas	Papildomas 650 lapų dvigubas dėklas		Papildomas 550 lapų dėklas	Abipusis spausdinimas
			550 lapų dėklas	Daugiafunkcis tiekimas		
<b>A4</b> 210x297 mm (8,27x11,7 col.)	✓	✓	✓	✓	✓	✓
<b>A5 stačiai (trumpuoju kraštu)<sup>1,2</sup></b> 148x210 mm (5,83x8,27 col.)	X	X	✓	X	✓	X
<b>A5 gulsčiai (ilguoju kraštu)<sup>1,2</sup></b> 210x148 mm (8,27x5,83 col.)	✓	✓	X	X	X	X
<b>A6</b> 105x148 mm (4,13x5,83 col.)	✓	✓	X	✓	X	X
<b>1/3 A4</b> 95x210 mm (3,7x8,3 col.)	✓	✓	X	✓	X	X
<b>JIS B5</b> 182x257 mm (7,17x10,1 col.)	✓	✓	✓	✓	✓	X
<b>„Letter“</b> 215,9x279,4 mm (8,5x11 col.)	✓	✓	✓	✓	✓	✓
<b>„Legal“</b> 215,9x355,6 mm (8,5x14 col.)	✓	✓	✓	✓	✓	✓
<b>„Executive“</b> 184,2x266,7 mm (7,25x10,5 col.)	✓	✓	✓	✓	✓	X
<b>„Oficio (Mexico)“</b> 215,9x340,4 mm (8,5x13,4 col.)	✓	✓	✓	✓	✓	✓
<b>„Folio“</b> 215,9x330,2 mm (8,5x13 col.)	✓	✓	✓	✓	✓	✓
<b>„Statement“</b> 139,7x215,9 mm (5,5x8,5 col.)	✓	✓	X	✓	X	X
<b>„Hagaki“</b> 100x148 mm (3,94x5,83 col.)	✓	✓	X	✓	X	X

<sup>1</sup> Šio formato popierių dėkite į standartinį dėklą ir neautomatinį tiekuvą, į spausdintuvą kišdami ilguoju kraštu.

<sup>2</sup> Šio formato popierių dėkite į papildomus dėklus ir daugiafunkcijį tiekuvą, į spausdintuvą kišdami trumpuoju kraštu.

<sup>3</sup> Pasirinkus universalų formatą suformatuojamas 215,9x355,6 mm (8,5x14 col.) puslapis, išskyrus atvejus, kai formatą nurodo programinės įrangos programa.

<sup>4</sup> Siaurą popierių į spausdintuvą dėkite trumpuoju kraštu.

<sup>5</sup> Pasirinkus formatą „Kiti vokai“ suformatuojamas 215,9x355,6mm (8,5x14 col.) puslapis, išskyrus atvejus, kai formatą nurodo programinės įrangos programa.

Popieriaus formatas ir matmenys	Standartinis 250 lapų dėklas	Neautomatinis tiektuvas	Papildomas 650 lapų dvigubas dėklas		Papildomas 550 lapų dėklas	Abipusis spausdinimas
			550 lapų dėklas	Daugiafunkcis tiektuvas		
<b>Universalus</b> <sup>3,4</sup> Nuo 98,4x148 mm iki 215,9x355,6 mm (nuo 3,87x5,83 col. iki 8,5 x 14 col.)	✓	✓	X	✓	X	X
<b>Universalus</b> <sup>3,4</sup> Nuo 76,2x127mm iki 215,9x355,6mm (nuo 3x5col. iki 8,5 x 14 col.)	X	✓	X	✓	X	X
<b>Universalus</b> <sup>3,4</sup> 148x210x215,9x355,6 mm (5,83x8,27 col. iki 8,5 x 14 col.)	✓	✓	✓	✓	✓	X
<b>Universalus</b> <sup>3,4</sup> 210x250x215,9x355,6 mm (8,27x9,84 col. iki 8,5 x 14 col.)	✓	✓	✓	✓	✓	✓
<b>„7 3/4 Envelope“</b> 98,4x190,5 mm (3,875x7,5 col.)	✓	✓	X	✓	X	X
<b>„9 Envelope“</b> 98,4x225,4 mm (3,875x8,9 col.)	✓	✓	X	✓	X	X
<b>„10 Envelope“</b> 104,8x241,3 mm (4,12x9,5 col.)	✓	✓	X	✓	X	X
<b>„DL Envelope“</b> 110x220 mm (4,33x8,66 col.)	✓	✓	X	✓	X	X
<b>„C5 Envelope“</b> 162x229 mm (6,38x9,01 col.)	✓	✓	X	✓	X	X
<b>„B5 Envelope“</b> 176x250 mm (6,93x9,84 col.)	✓	✓	X	✓	X	X
<b>„Monarch“</b> 98,425x190,5 mm (3,875x7,5 col.)	X	X	X	X	X	X

<sup>1</sup> Šio formato popierių dėkite į standartinį dėklą ir neautomatinį tiektuvą, į spausdintuvą kišdami ilguoju kraštu.

<sup>2</sup> Šio formato popierių dėkite į papildomus dėklus ir daugiafunkcijį tiektuvą, į spausdintuvą kišdami trumpuoju kraštu.

<sup>3</sup> Pasirinkus universalų formatą suformatuojamas 215,9x355,6 mm (8,5x14 col.) puslapis, išskyrus atvejus, kai formatą nurodo programinės įrangos programa.

<sup>4</sup> Siaurą popierių į spausdintuvą dėkite trumpuoju kraštu.

<sup>5</sup> Pasirinkus formatą „Kiti vokai“ suformatuojamas 215,9x355,6mm (8,5x14 col.) puslapis, išskyrus atvejus, kai formatą nurodo programinės įrangos programa.

Popieriaus formatas ir matmenys	Standartinis 250 lapų dėklas	Neautomatinis tiektuvas	Papildomas 650 lapų dvigubas dėklas		Papildomas 550 lapų dėklas	Abipusis spausdinimas
			550 lapų dėklas	Daugiafunkcis tiektuvas		
<b>Kiti vokai<sup>5</sup></b> Nuo 98,4x162 mm iki 176x250 mm (nuo 3,87x6,38 col. iki 6,93 x 9,84 col.)	✓	✓	X	✓	X	X
<p><sup>1</sup> Šio formato popierių dėkite į standartinį dėklą ir neautomatinį tiektuvą, į spausdintuvą kišdami ilguoju kraštu.</p> <p><sup>2</sup> Šio formato popierių dėkite į papildomus dėklus ir daugiafunkcį tiektuvą, į spausdintuvą kišdami trumpuoju kraštu.</p> <p><sup>3</sup> Pasirinkus universalų formatą suformatuojamas 215,9x355,6 mm (8,5x14 col.) puslapis, išskyrus atvejus, kai formatą nurodo programinės įrangos programa.</p> <p><sup>4</sup> Siaurą popierių į spausdintuvą dėkite trumpuoju kraštu.</p> <p><sup>5</sup> Pasirinkus formatą „Kiti vokai“ suformatuojamas 215,9x355,6mm (8,5x14 col.) puslapis, išskyrus atvejus, kai formatą nurodo programinės įrangos programa.</p>						

### Popieriaus formatai, palaikomi skaitytuvo ir automatinio dokumentų tiektuvo

Popieriaus formatas ir matmenys	Skaitytuvas	Automatinis dokumentų tiektuvas
<b>A4</b> 210x297 mm (8,27x11,7 col.)	✓	✓
<b>A5 stačiai (trumpuoju kraštu)</b> 148x210 mm (5,83x8,27 col.)	✓	✓
<b>A5 gulsčiai (ilguoju kraštu)</b> 210x148 mm (8,27x5,83 col.)	✓	✓
<b>A6</b> 105x148 mm (4,13x5,83 col.)	✓	✓
<b>1/3 A4</b> 95x210 mm (3,7x8,3 col.)	✓	X
<b>JIS B5</b> 182x257 mm (7,17x10,1 col.)	✓	✓
<b>„Letter“</b> 215,9x279,4 mm (8,5x11 col.)	✓	✓
<b>„Legal“</b> 215,9x355,6 mm (8,5x14 col.)	✓	✓
<b>„Executive“</b> 184,2x266,7 mm (7,25x10,5 col.)	✓	✓
<p><sup>1</sup> Pasirinkus universalų formatą suformatuojamas 215,9x355,6 mm (8,5x14 col.) puslapis, išskyrus atvejus, kai formatą nurodo programinės įrangos programa.</p> <p><sup>2</sup> Siaurą popierių į spausdintuvą dėkite trumpuoju kraštu.</p> <p><sup>3</sup> Pasirinkus formatą „Kiti vokai“ suformatuojamas 215,9x355,6mm (8,5x14 col.) puslapis, išskyrus atvejus, kai formatą nurodo programinės įrangos programa.</p>		

Popieriaus formatas ir matmenys	Skaitytuvas	Automatinis dokumentų tiekimas
<b>„Oficio (Mexico)“</b> 215,9x340,4 mm (8,5x13,4 col.)	✓	✓
<b>„Folio“</b> 215,9x330,2 mm (8,5x13 col.)	✓	✓
<b>„Statement“</b> 139,7x215,9 mm (5,5x8,5 col.)	✓	✓
<b>„Hagaki“</b> 100x148 mm (3,94x5,83 col.)	✓	X
<b>Universal<sup>1,2</sup></b> Nuo 98,4x148 mm iki 215,9x355,6 mm (nuo 3,87x5,83 col. iki 8,5 x 14 col.)	✓	X
<b>Universal<sup>1,2</sup></b> Nuo 76,2x127mm iki 215,9x355,6mm (nuo 3x5col. iki 8,5 x 14 col.)	✓	X
<b>Universal<sup>1,2</sup></b> 148x210x215,9x355,6 mm (5,83x8,27 col. iki 8,5 x 14 col.)	✓	✓
<b>Universal<sup>1,2</sup></b> 210x250x215,9x355,6 mm (8,27x9,84 col. iki 8,5 x 14 col.)	✓	✓
<b>„7 3/4 Envelope“</b> 98,4x190,5 mm (3,875x7,5 col.)	✓	X
<b>„9 Envelope“</b> 98,4x225,4 mm (3,875x8,9 col.)	✓	X
<b>„10 Envelope“</b> 104,8x241,3 mm (4,12x9,5 col.)	✓	X
<b>„DL Envelope“</b> 110x220 mm (4,33x8,66 col.)	✓	X
<b>„C5 Envelope“</b> 162x229 mm (6,38x9,01 col.)	✓	X
<b>„B5 Envelope“</b> 176x250 mm (6,93x9,84 col.)	✓	X
<b>„Monarch“</b> 98,425x190,5 mm (3,875x7,5 col.)	✓	X
<b>Kiti vokai<sup>3</sup></b> Nuo 98,4x162 mm iki 176x250 mm (nuo 3,87x6,38 col. iki 6,93 x 9,84 col.)	✓	X

<sup>1</sup> Pasirinkus universalų formatą suformatuojamas 215,9x355,6 mm (8,5x14 col.) puslapis, išskyrus atvejus, kai formatą nurodo programinės įrangos programa.

<sup>2</sup> Siaurą popierių į spausdintuvą dėkite trumpuoju kraštu.

<sup>3</sup> Pasirinkus formatą „Kiti vokai“ suformatuojamas 215,9x355,6mm (8,5x14 col.) puslapis, išskyrus atvejus, kai formatą nurodo programinės įrangos programa.

**Pastaba:** Jūsų spausdintuvo modelyje gali būti 650 lapų dvigubas dėklas, kurį sudaro 550 lapų dėklas ir integruotas 100 lapų daugiafunkcis tiektuvas. 650 lapų dvigubo dėklo 550 lapų dėkle palaikomas tų pačių formatų popierius kaip ir papildomame 550 lapų dėkle. Integruotame daugiafunkciame tiektuve palaikomas įvairaus formato, rūšies ir svorio popierius.

## Palaikomos popieriaus rūšys

### Popieriaus tipai, kuriuos palaiko dėklai, neautomatinis tiektuvas ir dvipusis spausdinimas

Popieriaus rūšis	Standartinis 250 lapų dėklas	Neautomatinis tiektuvas	Papildomas 650 lapų dvigubas dėklas		Papildomas 550 lapų dėklas	Abipusis spausdinimas
			550 lapų dėklas	Daugiafunkcis tiektuvas		
Paprastas popierius	✓	✓	✓	✓	✓	✓
Kartoninis popierius	✓	✓	✓	✓	✓	X
Etiketės	✓	✓	✓	✓	✓	✓
Vinilinės etiketės („Vinyl Labels“)	✓	✓	✓	✓	✓	X
Vokai	✓	✓	X	✓	X	X

### Skaitytuvo ir ADF palaikomi popieriaus tipai

Popieriaus rūšis	Skaitytuvas	ADT
Paprastas popierius	✓	✓
Kartoninis popierius	✓	X
Etiketės	✓	X
Vinilinės etiketės („Vinyl Labels“)	✓	X
Vokai	✓	X

#### Pastabos:

- Jūsų spausdintuvo modelyje gali būti 650 lapų dvigubas dėklas, kurį sudaro 550 lapų dėklas ir integruotas 100 lapų daugiafunkcis tiektuvas. 650 lapų dvigubo dėklo 550 lapų dėkle palaikomas tos pačios rūšies popierius kaip ir 550 lapų dėkle. Integruotame daugiafunkciame tiektuve palaikomas įvairaus formato, rūšies ir svorio popierius.
- Etiketės, vokai ir kartoninis popierius visada spausdinami mažesne sparta.
- Retkarčiais tinka naudoti vinilines etiketes, bet jas reikia išbandyti dėl priimtimumo. Kai kurias vinilines etiketes patikimiau tiekti iš daugiafunkcio tiektuvo.



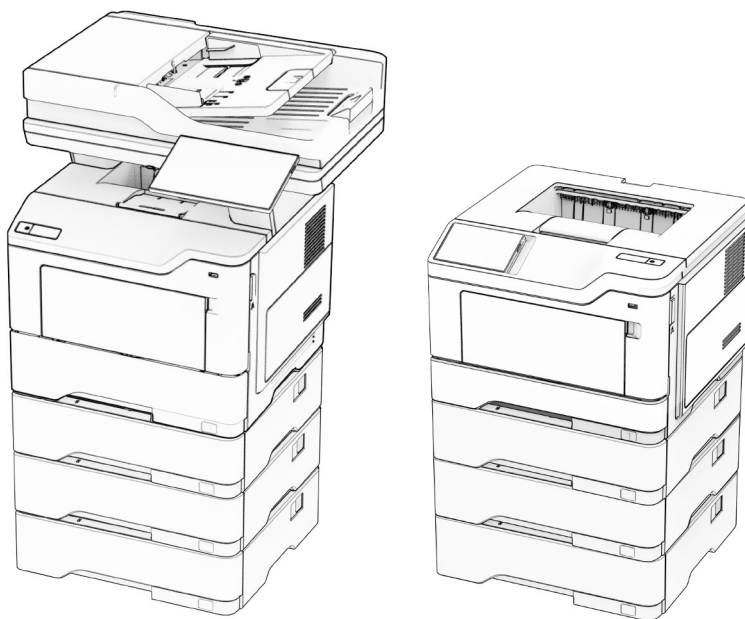
## Palaikomi popieriaus svoriai

Standartinis 250 lapų dėklas	Neautomatinis tiek tuvas	Papildomas 650 lapų dvigubas dėklas		Papildomas 550 lapų dėklas	Abipusis spausdinimas	ADT
		550 lapų dėklas	Daugiafunkcis tiek tuvas			
60–200 g/m <sup>2</sup> (16–53 sv. stand.)	60–200 g/m <sup>2</sup> (16–53 sv. stand.)	60–162 g/m <sup>2</sup> (16–43 sv. stand.)	60–162 g/m <sup>2</sup> (16–43 sv. stand.)	60–162 g/m <sup>2</sup> (16–43 sv. stand.)	60–105 g/m <sup>2</sup> (16–28 sv. stand.)	52–120 g/m <sup>2</sup> (14–32 sv. stand.)

### Pastabos:

- Jūsų spausdintuvo modelyje gali būti 650 lapų dvigubas dėklas, kurį sudaro 550 lapų dėklas ir integruotas 100 lapų daugiafunkcis tiek tuvas. 650 lapų dvigubo dėklo 550 lapų dėkle palaikomas tos pačios rūšies popierius kaip ir 550 lapų dėkle. Integruotame daugiafunkciame tiek tuve palaikomas įvairaus formato, rūšies ir svorio popierius.
- Jei popierius sveria 60–162 g/m<sup>2</sup> (16–43 sv. stand.), rekomenduojama naudoti išilginio pluošto popierių.
- Ant popieriaus, kurio svoris mažesnis nei 75 g/m<sup>2</sup> (20 sv. stand.), reikia spausdinti Popieriaus rūšį nustačius į parinktį Lengvas popierius. To nepadarius, popierius gali per daug užsiriesti ir dėl to atsirasti tiekimo klaidų, ypač esant drėgnesnei aplinkai.

## „Lexmark“ spausdintuvai ir daugiafunkciai spausdintuvai M3350, MS531, MS631, MS632, MS639, MX532, MX632, XM3350



Toliau pateiktose lentelėse pateikiama informacija apie standartinius ir papildomus popieriaus šaltinius bei jiems tinkamus popieriaus formatus, rūšis ir svorius.

**Pastaba:** Jei sąrašė nėra pageidaujamo popieriaus formato, pasirinkite arčiausiai sąrašė esantį *didesnį* formatą.

## Palaikomi popieriaus formatai

Popieriaus formatas	Standartinis 550 lapų dėklas	Papildomas 250 arba 550 lapų dėklas	Daugiafunkcis tiektuvas	Abipusis spausdinimas	Skaitytuvo stiklą	Automatinis dokumentų tiektuvas
<b>A4</b> 210 x 297 mm (8,27 x 11,7 col.)	✓	✓	✓	✓	✓	✓
<b>A5 stačiai (trumpuoju kraštu)</b> 148 x 210 mm (5,83 x 8,27 col.)	✓	✓	✓	X	✓	✓
<b>A5 gulsčiai (ilguoju kraštu)<sup>1</sup></b> 210 x 148 mm (8,27 x 5,83 col.)	✓	X	✓	X	✓	✓
<b>A6</b> 105 x 148 mm (4,13 x 5,83 col.)	✓	X	✓	X	✓	✓
<b>JIS B5</b> 182 x 257 mm (7,17 x 10,1 col.)	✓	✓	✓	X	✓	✓
<b>„Oficio (Mexico)“</b> 216 x 340 mm (8,5 x 13,4 col.)	✓	✓	✓	✓	✓	✓
<b>„Hagaki“</b> 100 x 148 mm (3,93 x 5,83 col.)	X	X	✓	X	✓	X
<b>„Statement“</b> 139,7 x 215,9 mm (5,5 x 8,5 col.)	✓	✓	✓	X	✓	✓
<b>„Executive“</b> 184,2 x 266,7 mm (7,25 x 10,5 col.)	✓	✓	✓	X	✓	✓

<sup>1</sup> Numatytasis palaikymas – tiekimas trumpuoju kraštu.

<sup>2</sup> Pasirinkus universalų formatą, suformatuojamas 215,90 x 355,60 mm (8,5 x 14 col.) formato puslapis, išskyrus atvejus, kai formatą nurodo programa.

<sup>3</sup> Popierius turi būti ne mažiau kaip 210 mm (8,27 col.) pločio ir 279,4 mm (11 col.) ilgio norint spausdinti iš abiejų pusių.

Popieriaus formatas	Standartinis 550 lapų dėklas	Papildomas 250 arba 550 lapų dėklas	Daugiafunkcis tiektuvas	Abipusis spausdinimas	Skaitytuvo stiklą	Automatinis dokumentų tiektuvas
„Letter“ 215,9 x 279,4 mm (8,5 x 11 col.)	✓	✓	✓	✓	✓	✓
„Legal“ 215,9 x 355,6 mm (8,5 x 14 col.)	✓	✓	✓	✓	✓	✓
„Folio“ 215,9 x 330,2 mm (8,5 x 13 col.)	✓	✓	✓	✓	✓	✓
<b>Universalus<sup>2</sup></b> Nuo 105 x 148 mm iki 215,9 x 359,92 mm (nuo 4,13 x 5,83 col. iki 8,5 x 14,17 col.)	✓	✓	X	✓ <sub>3</sub>	X	✓
<b>Universalus<sup>2</sup></b> Nuo 76,2 x 127 mm iki 215,9 x 359,92 mm (nuo 3 x 5,83 col. iki 8,5 x 14,17 col.)	X	X	✓	X	X	X
<b>Universalus<sup>2</sup></b> Nuo 25,4 x 25,4 mm iki 215,9 x 355,6 mm (nuo 1 x 1 col. iki 8,5 x 14 col.)	X	X	X	X	✓	X
„7 3/4 Envelope“ 98,4 x 190,5 mm (3,875 x 7,5 col.)	X	X	✓	X	✓	X
„9 Envelope“ 98,4 x 225,4 mm (3,875 x 8,9 col.)	X	X	✓	X	✓	X
„10 Envelope“ 104,8 x 241,3 mm (4,12 x 9,5 col.)	X	X	✓	X	✓	X
„DL Envelope“ 110 x 220 mm (4,33 x 8,66 col.)	X	X	✓	X	✓	X

<sup>1</sup> Numatytasis palaikymas – tiekimas trumpuoju kraštu.

<sup>2</sup> Pasirinkus universalų formatą, suformatuojamas 215,90 x 355,60 mm (8,5 x 14 col.) formato puslapis, išskyrus atvejus, kai formatą nurodo programa.

<sup>3</sup> Popierius turi būti ne mažiau kaip 210 mm (8,27 col.) pločio ir 279,4 mm (11 col.) ilgio norint spausdinti iš abiejų pusių.

Popieriaus formatas	Standartinis 550 lapų dėklas	Papildomas 250 arba 550 lapų dėklas	Daugiafunkcis tiektuvas	Abipusis spausdinimas	Skaitytuvo stiklą	Automatinis dokumentų tiektuvas
„C5 Envelope“ 162 x 229 mm (6,38 x 9,01 col.)	X	X	✓	X	✓	X
„B5 Envelope“ 176 x 250 mm (6,93 x 9,84 col.)	X	X	✓	X	✓	X
<b>Kiti vokų („Envelope“) formatai</b> Nuo 76,2 x 127 mm iki 215,9 x 359,92 mm (nuo 3 x 5,83 col. iki 8,5 x 14,17 col.)	X	X	✓	X	✓	X

<sup>1</sup> Numatytasis palaikymas – tiekimas trumpuoju kraštu.

<sup>2</sup> Pasirinkus universalų formatą, suformatuojamas 215,90 x 355,60 mm (8,5 x 14 col.) formato puslapis, išskyrus atvejus, kai formatą nurodo programa.

<sup>3</sup> Popierius turi būti ne mažiau kaip 210 mm (8,27 col.) pločio ir 279,4 mm (11 col.) ilgio norint spausdinti iš abiejų pusių.

## Palaikomos popieriaus rūšys

Popieriaus rūšis	Standartinis 550 lapų dėklas	Papildomas 250 arba 550 lapų dėklas	Daugiafunkcis tiektuvas	Abipusis spausdinimas	Automatinis dokumentų tiektuvas
Paprastas popierius	✓	✓	✓	✓	✓
Kartoninis popierius	X	X	✓	X	X
Perdirbtas popierius	✓	✓	✓	✓	✓
Popierinės etiketės*	✓	✓	✓	X	X
Standus popierius	✓	✓	✓	✓	✓
Firminiai blankai	✓	✓	✓	✓	✓
Iš anksto paruoštos formos	✓	✓	✓	✓	✓
Spalvotas popierius	✓	✓	✓	✓	✓
Lengvas popierius	✓	✓	✓	✓	✓

\* Palaikomas vienpusis popierinių etikečių spausdinimas retkarčiais, mažiau nei 20 puslapių per mėnesį. Vinilinės, vaistų ir dvipusės etiketės nepalaikomos.

Popieriaus rūšis	Standartinis 550 lapų dėklas	Papildomas 250 arba 550 lapų dėklas	Daugiafunkcis tiek tuvas	Abipusis spausdinimas	Automatinis dokumentų tiek tuvas
Sunkus popierius	✓	✓	✓	✓	✓
Šiurkštus / medvilninis popierius	✓	✓	✓	✓	✓
Vokai	X	X	✓	X	X
Šiurkštūs vokai	X	X	✓	X	X

\* Palaikomas vienpusis popierinių etikečių spausdinimas retkarčiais, mažiau nei 20 puslapių per mėnesį. Vinilinės, vaistų ir dvipusės etiketės nepalaikomos.

### Palaikomi popieriaus svoriai

Standartinis 550 lapų dėklas	Papildomas 250 arba 550 lapų dėklas	Daugiafunkcis tiek tuvas	Dvipusis spausdinimas*	Automatinis dokumentų tiek tuvas
60–120 g/m <sup>2</sup> (16–32 lb bond)	60–120 g/m <sup>2</sup> (16–32 lb bond)	60–216 g/m <sup>2</sup> (16–58 lb bond)	60–90 g/m <sup>2</sup> (16–24 lb bond)	52–120 g/m <sup>2</sup> (14–32 lb bond)

\* Nepalaiko kartoninio popieriaus, etikečių arba vokų.

## „Lexmark“ spausdintuvai ir daugiafunkciai spausdintuvai C4342, C4352, CS730, CS735, CS737, CX730, CX735, CX737, XC4342, XC4352



Toliau pateiktose lentelėse pateikiama informacija apie standartinius ir papildomus popieriaus šaltinius bei jiems tinkamus popieriaus formatus, rūšis ir svorius.

**Pastaba:** Jei sąrašė nėra pageidaujamo popieriaus formato, pasirinkite arčiausiai sąrašė esantį *didesnį* formatą.

## Palaikomi popieriaus formatai

Popieriaus formatas	650 lapų dvigubas dėklas		Papildomas 550 lapų dėklas	Abipusis spausdinimas	Skaitytuvas	ADT
	550 lapų dėklas	100 lapų daugiafunkcis tiekuvos <sup>1</sup>				
<b>A4</b> 210 x 297 mm (8,27 x 11,7 col.)	✓	✓	✓	✓	✓	✓
<b>A5 gulsčias<sup>2</sup></b> 210 x 148 mm (8,27 x 5,83 col.)	✓	✓	✓	✓	✓	✓
<b>A5 stačias<sup>2</sup></b> 148 x 210 mm (5,83 x 8,27 col.)	✓	✓	✓	✓	✓	✓
<b>A6</b> 105 x 148 mm (4,13 x 5,83 col.)	✓	✓	✓	✓	✓	✓
<b>„Banner“</b> 215,9 x 1320,8 mm (8,5 x 52 col.)	X	✓	X	X	X	X
<b>„Executive“</b> 184,2 x 266,7 mm (7,25 x 10,5 col.)	✓	✓	✓	✓	✓	✓
<b>„Folio“</b> 215,9 x 330,2 mm (8,5 x 13 col.)	✓	✓	✓	✓	✓	✓
<b>„Hagaki“</b> 100 x 148 mm (3,94 x 5,83 col.)	X	✓	X	X	✓	X
<b>JIS B5</b> 182 x 257 mm (7,17 x 10,1 col.)	✓	✓	✓	✓	✓	✓

<sup>1</sup> Nesuderinama su automatinio formato nustatymu.

<sup>2</sup> Suderinamas spausdinimas ant stačiai ir gulsčiai paverstų lapų. Kai popierius tiekiamas stačiai, A5 formatas traktuojamas kaip siauras popierius. Kai popierius tiekiamas gulsčiai, jis traktuojamas kaip įprasto pločio popierius.

<sup>3</sup> Pasirinkus Universalų formatą taikomi 215,9 x 355,6 mm (8,5 x 14 col.) gabaritai, išskyrus atvejus, kai formatą nurodo programinė įranga.

<sup>4</sup> Siaurą popierių dėkite paverstą stačiai.

<sup>5</sup> Pasirinkus Kiti vokai formatą, taikomi 215,9 x 355,6 mm (8,5 x 14 col.) gabaritai, išskyrus atvejus, kai formatą nurodo programinė įranga.

Popieriaus formatas	650 lapų dvigubas dėklas		Papildomas 550 lapų dėklas	Abipusis spausdinimas	Skaitytuvas	ADT
	550 lapų dėklas	100 lapų daugiafunkcis tiek tuvas <sup>1</sup>				
<b>Teisinis</b> 215,9 x 355,6 mm (8,5 x 14 col.)	✓	✓	✓	✓	✓	✓
<b>„Letter“</b> 215,9 x 279,4 mm (8,5 x 11 col.)	✓	✓	✓	✓	✓	✓
<b>„Oficio“ (Meksika)</b> 216 x 340 mm (8,5 x 13,4 col.)	✓	✓	✓	✓	✓	✓
<b>„Statement“</b> 139,7 x 215,9 mm (5,5 x 8,5 col.)	✓	✓	✓	✓	✓	✓
<b>Universalus<sup>3, 4</sup></b> Nuo 76,2 x 127 mm iki 215,9 x 355,6 mm (nuo 3 x 5 col. iki 8,5 x 14 col.)	X	✓	X	X	✓	X
<b>Universalus<sup>3, 4</sup></b> Nuo 105 x 148 mm iki 215,9 x 355,6 mm (nuo 4,13 x 5,83 col. iki 8,5 x 14 col.)	✓	✓	✓	✓	✓	X
<b>„7 3/4 Envelope“</b> 98,4 x 190,5 mm (3,875 x 7,5 col.)	X	✓	X	X	✓	X
<b>„9 Envelope“</b> 98,4 x 225,4 mm (3,875 x 8,9 col.)	X	✓	X	X	✓	X
<b>„10 Envelope“</b> 104,8 x 241,3 mm (4,12 x 9,5 col.)	✓	✓	✓	X	✓	X

<sup>1</sup> Nesuderinama su automatinio formato nustatymu.

<sup>2</sup> Suderinamas spausdinimas ant stačiai ir gulsčiai paverstų lapų. Kai popierius tiekiamas stačiai, A5 formatas traktuojamas kaip siauras popierius. Kai popierius tiekiamas gulsčiai, jis traktuojamas kaip įprasto pločio popierius.

<sup>3</sup> Pasirinkus Universalų formatą taikomi 215,9 x 355,6 mm (8,5 x 14 col.) gabaritai, išskyrus atvejus, kai formatą nurodo programinė įranga.

<sup>4</sup> Siaurą popierių dėkite paverstą stačiai.

<sup>5</sup> Pasirinkus Kiti vokai formatą, taikomi 215,9 x 355,6 mm (8,5 x 14 col.) gabaritai, išskyrus atvejus, kai formatą nurodo programinė įranga.

Popieriaus formatas	650 lapų dvigubas dėklas		Papildomas 550 lapų dėklas	Abipusis spausdinimas	Skaitytuvas	ADT
	550 lapų dėklas	100 lapų daugiafunkcis tiek tuvas <sup>1</sup>				
„11 Envelope“ 114,3 x 263,525 mm (4,5 x 10,375 col.)	✓	✓	✓	X	✓	X
„12 Envelope“ 120,65 x 279,4 mm (4,75 x 11 col.)	✓	✓	✓	X	✓	X
„B5 Envelope“ 176 x 250 mm (6,93 x 9,84 col.)	✓	✓	✓	X	✓	X
„B6 Envelope“ 125 x 176 mm (4,92 x 6,92 col.)	✓	✓	✓	X	✓	X
„C5 Envelope“ 162 x 229 mm (6,38 x 9,01 col.)	✓	✓	✓	X	✓	X
„C6 Envelope“ 114 x 162 mm (4,48 x 6,37 col.)	✓	✓	✓	X	✓	X
„DL Envelope“ 110 x 220 mm (4,33 x 8,66 col.)	✓	✓	✓	X	✓	X
„Monarch“ 98,4 x 190,5 mm (3,875 x 7,5 col.)	X	✓	X	X	✓	X
<b>Kiti vokai<sup>5</sup></b> Nuo 98,4 x 162 mm iki 176 x 250 mm (nuo 3,87 x 6,38 col. iki 6,93 x 9,84 col.)	X	✓	X	X	✓	X

<sup>1</sup> Nesuderinama su automatiniu formato nustatymu.

<sup>2</sup> Suderinamas spausdinimas ant stačiai ir gulsčiai paverstų lapų. Kai popierius tiekiamas stačiai, A5 formatas traktuojamas kaip siauras popierius. Kai popierius tiekiamas gulsčiai, jis traktuojamas kaip įprasto pločio popierius.

<sup>3</sup> Pasirinkus Universalų formatą taikomi 215,9 x 355,6 mm (8,5 x 14 col.) gabaritai, išskyrus atvejus, kai formatą nurodo programinė įranga.

<sup>4</sup> Siaurą popierių dėkite paverstą stačiai.

<sup>5</sup> Pasirinkus Kiti vokai formatą, taikomi 215,9 x 355,6 mm (8,5 x 14 col.) gabaritai, išskyrus atvejus, kai formatą nurodo programinė įranga.



## Palaikomos popieriaus rūšys

Popieriaus rūšis	650 lapų dvigubas dėklas		Papildomas 550 lapų dėklas	Abipusis spausdinimas	Skaitytuvas	ADT
	550 lapų dėklas	100 lapų daugiafunkcis tiektuvas				
Paprastas popierius	✓	✓	✓	✓	✓	✓
Kartoninis popierius	✓	✓	✓	✓	✓	×
Perdirbtas popierius	✓	✓	✓	✓	✓	✓
Blizgus popierius („Glossy“)	✓	✓	✓	✓	✓	×
Etiketės	✓	✓	✓	✓	✓	×
Vinilinės etiketės („Vinyl Labels“)	✓	✓	✓	×	✓	×
Standus popierius	✓	✓	✓	✓	✓	✓
Vokai	✓	✓	✓	×	✓	×
Firminiai blankai	✓	✓	✓	✓	✓	✓
Iš anksto paruoštos formos	✓	✓	✓	✓	✓	✓
Spalvotas popierius	✓	✓	✓	✓	✓	✓
Lengvas popierius	✓	✓	✓	✓	✓	✓
Sunkus popierius	✓	✓	✓	✓	✓	✓
Šiurkštus / medvilninis popierius	✓	✓	✓	✓	✓	✓
Permatomos laikmenos	×	×	×	×	×	×
Tinkinta rūšis [x]	✓	✓	✓	✓	✓	✓

### Pastabos:

- Etiketės, vokai ir kartoninis popierius visada spausdinami mažesne sparta.
- Spausdinant ant abiejų pusių palaikomas popieriaus svoris – tik iki 163 g/m<sup>2</sup> (90 sv. rodyklė). Visos sunkesnės laikmenos palaikomos tik spausdinant ant vienos pusės.
- Retkarčiais tinka naudoti vinilines etiketes, bet jas reikia išbandyti dėl priimtimumo. Kai kurias vinilines etiketes patikimiau tiekti iš daugiafunkcio tiektuvo.

## Palaikomi popieriaus svoriai

650 lapų dvigubas dėklas		Papildomas 550 lapų dėklas	Abipusis spausdinimas	Automatinis dokumentų tiekimas
550 lapų dėklas	100 lapų daugiafunkcis tiekimas			
60–218 g/m <sup>2</sup> (16–58 sv. stand.)	60–218 g/m <sup>2</sup> (16–58 sv. stand.)	60–218 g/m <sup>2</sup> (16–58 sv. stand.)	60–162 g/m <sup>2</sup> (16–43 sv. stand.)	52–120 g/m <sup>2</sup> (14–32 sv. stand.)

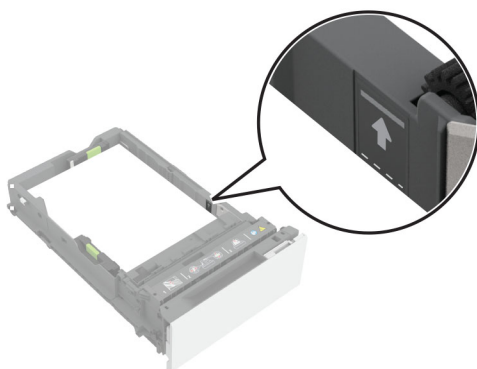
Popieriaus rūšis	Popieriaus svoris
<b>Paprastas popierius („Plain Paper“)</b>	75–90,3 g/m <sup>2</sup> (20–24 sv. įrišimas)
<b>Blizgus popierius („Glossy“)</b>	88–176 g/m <sup>2</sup> (60–120sv. knyga)
	162–176 g/m <sup>2</sup> ilgo pluošto popierius (60–65 sv. viršelis)
<b>Sunkus popierius</b>	90,3–105 g/m <sup>2</sup> ilgo pluošto popierius (24,1–28 sv. įrišimas)
<b>Kartoninis popierius</b>	Iki 199 g/m <sup>2</sup> ilgo pluošto popierius (110 sv. rodyklė)
	Iki 218 g/m <sup>2</sup> trumpo pluošto popierius (80 sv. viršelis)
<b>Etiketės (popierinės etiketės)</b>	Iki 218 g/m <sup>2</sup> (58 sv. įrišimas)
<b>Etiketės (vinilinės etiketės)</b>	Iki 300 g/m <sup>2</sup> (79,9 sv. įrišimas)
<b>Vokai</b>	60–105 g/m <sup>2</sup> (16–28 sv. įrišimas)

### Pastabos:

- Jei popierius sveria 60–176 g/m<sup>2</sup> (16–47 sv. stand.), rekomenduojama naudoti išilginio pluošto popierių.
- Ant popieriaus, kurio svoris mažesnis nei 75 g/m<sup>2</sup> (20 sv. stand.), reikia spausdinti Popieriaus rūšį nustačius į parinktį Lengvas popierius. To nepadarius, popierius gali per daug užsiriesti ir dėl to atsirasti tiekimo klaidų, ypač esant drėgnesnei aplinkai.
- Spausdinant ant abiejų pusių, palaikomas popieriaus svoris nuo 60–162 g/m<sup>2</sup> (16–43 sv. stand.).
- Maksimalus 100 % medvilnės sudėties laikmenos svoris – 90 g/m<sup>2</sup> (24 sv. stand.).

### Tray fill line information

Depending on construction, paper labels and card stock can sometimes be difficult to pick and feed reliably. Performance can be improved by controlling the number of sheets of media loaded in the tray. There are two fill lines in the tray. The solid line is the maximum paper fill indicator. No media should be loaded in the tray above this line or paper jams could occur. The dashed line is the alternate paper fill indicator. It should be used if any feed or reliability issues are noted with specialty media, including labels and card stock. If paper jams occur when completely filling the tray, load the specialty media only up to the alternate paper fill indicator.



### Supported card stock

Paper type	Grain direction	Paper weight
<b>Index Bristol</b>	Grain long	199 g/m <sup>2</sup> (110 lb)
	Grain short	199 g/m <sup>2</sup> (110 lb)
<b>Tag</b>	Grain long	163 g/m <sup>2</sup> (100 lb)
	Grain short	203 g/m <sup>2</sup> (125 lb)
<b>Cover</b>	Grain long	176 g/m <sup>2</sup> (65 lb)
	Grain short	218 g/m <sup>2</sup> (80 lb)

### Supported labels

Label type	Width and length	Weight	Thickness	Smoothness
<b>Paper</b>	76 x 216 mm (3 x 8.5 in.) <sup>1</sup>	218 g/m <sup>2</sup> (58 lb)	0.13-0.20 mm (0.005-0.008 in.)	50-300 Sheffield <sup>2</sup>
<b>Vinyl</b>		300 g/m <sup>2</sup> (79.9 lb)		

<sup>1</sup> The minimum size for labels supported in the multipurpose feeder is 76 x 124 mm (3 x 5 in.). The minimum size for labels supported in the standard and optional trays is 148 x 210 mm (5.8 x 8.3 in.).

<sup>2</sup> 50 Sheffield is optimal. Using media higher than 300 Sheffield could result in print quality degradation.

**Pastaba:** Limit label printing to occasional use only, approximately 1500 labels per month.

## Letterhead orientation

Source	Printing	Printed side	Paper orientation
Trays	One-sided	Faceup	Load paper with the top edge toward the front of the tray.
	Two-sided	Facedown	Load paper with the top edge toward the back of the tray.
Multipurpose feeder	One-sided	Facedown	Load paper with the top edge entering the printer first.
	Two-sided	Faceup	Load paper with the top edge entering the printer last.

## „Lexmark“ spausdintuvai ir daugiafunkciai spausdintuvai B3340, B3442, M1342, MB3442, MS331, MS431, MS439, MX331, MX431, MX432, XM1342, XM3142



Toliau pateiktose lentelėse pateikiama informacija apie standartinius ir papildomus popieriaus šaltinius bei jiems tinkamus popieriaus formatus, rūšis ir svorius.

**Pastaba:** Jei sąrašė nėra pageidaujamo popieriaus formato, pasirinkite arčiausiai sąrašė esantį *didesnį* formatą.

## Palaikomi popieriaus formatai

Popieriaus formatas	Standartinis 250 lapų dėklas	Papildomas 550 lapų dėklas	Daugiafunkcis tiektuvas	Abipusis spausdinimas	ADT
<b>A4</b> 210 x 297 mm (8,27 x 11,7 col.)	✓	✓	✓	✓	✓
<b>A5 stačiai (trumpuoju kraštu)</b> 148 x 210 mm (5,83 x 8,27 col.)	✓	✓	✓	X	✓

<sup>1</sup> Numatytasis palaikymas – tiekimas ilguoju kraštu.

<sup>2</sup> Popierius turi būti ne mažiau kaip 210 mm (8,27 col.) pločio ir 279,4 mm (11 col.) ilgio norint spausdinti iš abiejų pusių.

<sup>3</sup> Pasirinkus universalų formatą, suformatuojamas 215,90 x 355,60 mm (8,5 x 14 col.) formato puslapis, išskyrus atvejus, kai formatą nurodo programa.

Popieriaus formatas	Standartinis 250 lapų dėklas	Papildomas 550 lapų dėklas	Daugiafunkcis tiektuvas	Abipusis spausdinimas	ADT
<b>A5 gulsčiai (ilguoju kraštu)<sup>1</sup></b> 210 x 148 mm (8,27 x 5,83 col.)	✓	✓	✓	X	✓
<b>A6</b> 105 x 148 mm (4,13 x 5,83 col.)	✓	✓	✓	X	✓
<b>JIS B5</b> 182 x 257 mm (7,17 x 10,1 col.)	✓	✓	✓	X	✓
<b>„Oficio (Mexico)“</b> 215,9 x 340,4 mm (8,5 x 13,4 col.)	✓	✓	✓	✓	✓
<b>„Hagaki“</b> 100 x 148 mm (3,94 x 5,83 col.)	✓	X	✓	X	X
<b>„Statement“</b> 139,7 x 215,9 mm (5,5 x 8,5 col.)	✓	✓	✓	X	✓
<b>„Executive“</b> 184,2 x 266,7 mm (7,25 x 10,5 col.)	✓	✓	✓	X	✓
<b>„Letter“</b> 215,9 x 279,4 mm (8,5 x 11 col.)	✓	✓	✓	✓	✓
<b>„Legal“</b> 215,9 x 355,6 mm (8,5 x 14 col.)	✓	✓	✓	✓	✓
<b>„Folio“</b> 215,9 x 330,2 mm (8,5 x 13 col.)	✓	✓	✓	✓	✓
<b>Universalus<sup>3</sup></b> Nuo 99 x 148 mm iki 215,9 x 359,92 mm (nuo 3,9 x 5,83 col. iki 8,5 x 14,17 col.)	✓	✓	✓	✓ <sup>2</sup>	X

<sup>1</sup> Numatytasis palaikymas – tiekimas ilguoju kraštu.

<sup>2</sup> Popierius turi būti ne mažiau kaip 210 mm (8,27 col.) pločio ir 279,4 mm (11 col.) ilgio norint spausdinti iš abiejų pusių.

<sup>3</sup> Pasirinkus universalų formatą, suformatuojamas 215,90 x 355,60 mm (8,5 x 14 col.) formato puslapis, išskyrus atvejus, kai formatą nurodo programa.

Popieriaus formatas	Standartinis 250 lapų dėklas	Papildomas 550 lapų dėklas	Daugiafunkcis tiektuvas	Abipusis spausdinimas	ADT
<b>Universalus<sup>3</sup></b> Nuo 105 x 148 mm iki 215,9 x 355,6 mm (nuo 4,13 x 5,83 col. iki 8,5 x 14 col.)	X	X	X	X	✓
<b>„7 3/4 Envelope“</b> 98,4 x 190,5 mm (3,875 x 7,5 col.)	X	X	✓	X	X
<b>„9 Envelope“</b> 98,4 x 225,4 mm (3,875 x 8,9 col.)	X	X	✓	X	X
<b>„10 Envelope“</b> 104,8 x 241,3 mm (4,12 x 9,5 col.)	X	X	✓	X	X
<b>„DL Envelope“</b> 110 x 220 mm (4,33 x 8,66 col.)	X	X	✓	X	X
<b>„C5 Envelope“</b> 162 x 229 mm (6,38 x 9,01 col.)	X	X	✓	X	X
<b>„B5 Envelope“</b> 176 x 250 mm (6,93 x 9,84 col.)	X	X	✓	X	X
<b>Kiti vokų („Envelope“) formatai</b> Nuo 98,4 x 162 mm iki 176 x 250 mm (nuo 3,87 x 6,38 col. iki 6,93 x 9,84 col.)	X	X	✓	X	X

<sup>1</sup> Numatytasis palaikymas – tiekimas ilguoju kraštu.

<sup>2</sup> Popierius turi būti ne mažiau kaip 210 mm (8,27 col.) pločio ir 279,4 mm (11 col.) ilgio norint spausdinti iš abiejų pusių.

<sup>3</sup> Pasirinkus universalų formatą, suformatuojamas 215,90 x 355,60 mm (8,5 x 14 col.) formato puslapis, išskyrus atvejus, kai formatą nurodo programa.

## Palaikomos popieriaus rūšys

Popieriaus rūšis	Standartinis 250 lapų dėklas	Papildomas 550 lapų dėklas	Daugiafunkcis tiektuvas	Abipusis spausdinimas	Automatinis dokumentų tiektuvas
<b>Paprastas popierius</b>	✓	✓	✓	✓	✓
<b>Kartoninis popierius</b>	X	X	✓	X	X

\* Palaikomas vienpusis popierinių etikečių spausdinimas retkarčiais, mažiau nei 20 puslapių per mėnesį. Vinilinės, vaistų ir dvipusės etiketės nepalaikomos.

Popieriaus rūšis	Standartinis 250 lapų dėklas	Papildomas 550 lapų dėklas	Daugiafunkcis tiektuvas	Abipusis spausdinimas	Automatinis dokumentų tiektuvas
Perdirbtas popierius	✓	✓	✓	✓	X
Popierinės etiketės*	✓	✓	✓	X	X
Standus popierius	✓	✓	✓	✓	X
Firminiai blankai	✓	✓	✓	✓	X
Iš anksto paruoštos formos	✓	✓	✓	✓	X
Spalvotas popierius	✓	✓	✓	✓	X
Lengvas popierius	✓	✓	✓	✓	X
Sunkus popierius	✓	✓	✓	✓	X
Šiurkštus / medvilninis popierius	✓	✓	✓	✓	X
Vokai	X	X	✓	X	X
Šiurkštūs vokai	X	X	✓	X	X

\* Palaikomas vienpusis popierinių etikečių spausdinimas retkarčiais, mažiau nei 20 puslapių per mėnesį. Vinilinės, vaistų ir dvipusės etiketės nepalaikomos.

### Palaikomi popieriaus svoriai

	Standartinis 250 lapų dėklas	Papildomas 550 lapų dėklas	Daugiafunkcis tiektuvas	Abipusis spausdinimas	Automatinis dokumentų tiektuvas
Popieriaus svoris	60–120 g/m <sup>2</sup> (16–32 sv.)	60–120 g/m <sup>2</sup> (16–32 sv.)	60–217 g/m <sup>2</sup> (16–58 sv.)	60–90 g/m <sup>2</sup> (16–24 sv.)	60–90 g/m <sup>2</sup> (16–24 sv.)

**„Lexmark“ daugiafunkciai spausdintuvai MX931, CX930, CX931, XC9325, XC9335**



Toliau pateiktose lentelėse pateikiama informacija apie standartinius ir papildomus popieriaus šaltinius bei jiems tinkamus popieriaus formatus, rūšis ir svorius.

**Pastaba:** Jei sąrašė nėra pageidaujamo popieriaus formato, pasirinkite arčiausiai sąrašė esantį *didesnį* formatą.

## Palaikomi popieriaus formatai

**Popieriaus formatai, kuriuos palaiko standartinis dėklas, daugiafunkcis spausdintuvas, vokų dėklas ir dvipusis spausdinimas**

Popieriaus formatas	Standartinis 520 lapų dėklas	Daugiafunkcis tiek tuvas	Vokų dėklas	Abipusis spausdinimas
<b>A3<sup>1</sup></b> 297 x 420 mm (11,69 x 16,54 col.)	✓	✓	X	✓
<b>A4</b> 210 x 297 mm (8,27 x 11,7 col.)	✓	✓ <sup>2</sup>	X	✓
<b>A5</b> 148 x 210 mm (5,83 x 8,27 col.)	✓ <sup>1</sup>	✓ <sup>2</sup>	X	✓
<b>A6</b> 105 x 148 mm (4,13 x 5,83 col.)	X	✓ <sup>1</sup>	X	X
<b>„Executive“</b> 184,2 x 266,7 mm (7,25 x 10,5 col.)	✓	✓ <sup>2</sup>	X	✓

<sup>1</sup> Įkeliamas tik esant trumpo krašto orientacijai.

<sup>2</sup> Įkeliamas tik esant ilgo krašto orientacijai.

<sup>3</sup> Palaikomas nuo 139,7 x 181,86 mm (5,5 x 7,16 col.) iki 296,93 x 431,8 mm (11,69 x 17 col.) dydžio popierius.

<sup>4</sup> Palaikomas nuo 88,9 x 98,38 mm (3,5 x 3,87 col.) iki 296,93 x 482,6 mm (11,69 x 19 col.) dydžio popierius.

<sup>5</sup> Palaikomas nuo 128 x 139,7 mm (5 x 5,5 col.) iki 296,93 x 482,6 mm (11,69 x 19 col.) dydžio popierius.



Popieriaus formatas	Standartinis 520 lapų dėklas	Daugiafunkcis tiektuvas	Vokų dėklas	Abipusis spausdinimas
„Folio“ <sup>1</sup> 215,9 x 330,2 mm (8,5 x 13 col.)	✓	✓	X	✓
„Hagaki“ 100 x 148 mm (3,94 x 5,83 col.)	X	✓ <sub>1</sub>	X	X
JIS B4 <sup>1</sup> 257 x 364 mm (10,12 x 14,33 col.)	✓	✓	X	✓
JIS B5 182 x 257 mm (7,17 x 10,1 col.)	✓	✓ <sub>2</sub>	X	✓
Didžioji knyga <sup>1</sup> 279,4 x 4431,8 mm (11 x 17 col.)	✓	✓	X	✓
„Legal“ <sup>1</sup> 215,9 x 355,6 mm (8,5 x 14 col.)	✓	✓	X	✓
„Letter“ 215,9 x 279,4 mm (8,5 x 11 col.)	✓	✓ <sub>2</sub>	X	✓
„Oficio (Mexico)“ <sup>1</sup> 215,9 x 340,4 mm (8,5 x 13,4 col.)	✓	✓	X	✓
„Statement“ 139,7 x 215,9 mm (5,5 x 8,5 col.)	✓ <sub>1</sub>	✓ <sub>2</sub>	X	✓
Universalus	✓ <sub>3</sub>	✓ <sub>4</sub>	X	✓ <sub>5</sub>
„7 3/4 Envelope“ 98,4 x 190,5 mm (3,875 x 7,5 col.)	X	✓ <sub>2</sub>	✓	X
„9 Envelope“ 98,4 x 225,4 mm (3,875 x 8,9 col.)	X	✓ <sub>2</sub>	✓	X

<sup>1</sup> Įkeliamas tik esant trumpo krašto orientacijai.

<sup>2</sup> Įkeliamas tik esant ilgo krašto orientacijai.

<sup>3</sup> Palaikomas nuo 139,7 x 181,86 mm (5,5 x 7,16 col.) iki 296,93 x 431,8 mm (11,69 x 17 col.) dydžio popierius.

<sup>4</sup> Palaikomas nuo 88,9 x 98,38 mm (3,5 x 3,87 col.) iki 296,93 x 482,6 mm (11,69 x 19 col.) dydžio popierius.

<sup>5</sup> Palaikomas nuo 128 x 139,7 mm (5 x 5,5 col.) iki 296,93 x 482,6 mm (11,69 x 19 col.) dydžio popierius.

Popieriaus formatas	Standartinis 520 lapų dėklas	Daugiafunkcis tiekėtuvas	Vokų dėklas	Abipusis spausdinimas
„10 Envelope“ 104,8 x 241,3 mm (4,12 x 9,5 col.)	X	√ <sup>2</sup>	√	X
„B5 Envelope“ 176 x 250 mm (6,93 x 9,84 col.)	X	√ <sup>1</sup>	√	X
„C5 Envelope“ 162 x 229 mm (6,38 x 9,01 col.)	X	√ <sup>2</sup>	√	X
„DL Envelope“ 110 x 220 mm (4,33 x 8,66 col.)	X	√ <sup>2</sup>	√	X

<sup>1</sup> Įkeliamas tik esant trumpo krašto orientacijai.

<sup>2</sup> Įkeliamas tik esant ilgo krašto orientacijai.

<sup>3</sup> Palaikomas nuo 139,7 x 181,86 mm (5,5 x 7,16 col.) iki 296,93 x 431,8 mm (11,69 x 17 col.) dydžio popierius.

<sup>4</sup> Palaikomas nuo 88,9 x 98,38 mm (3,5 x 3,87 col.) iki 296,93 x 482,6 mm (11,69 x 19 col.) dydžio popierius.

<sup>5</sup> Palaikomas nuo 128 x 139,7 mm (5 x 5,5 col.) iki 296,93 x 482,6 mm (11,69 x 19 col.) dydžio popierius.

#### Pastabos:

- ADT palaiko nuo 125 x 85 mm (4,92 x 3,35 col.) iki 297 x 431,8 mm (11,69 x 17 col.) dydžio popierių.
- Plokščiasis skeneris palaiko didžiausią 297 x 431,8 mm (11,69 x 17 col.) dydžio popierių.

#### Popieriaus formatai, kuriuos palaiko papildomi dėklai

Popieriaus formatas	Papildomas 520 lapų dėklas, papildomas 520 lapų dėklas su dėže ir papildomas 3 x 520 lapų dėklas	Papildomas 2520 lapų sudvejintas dėklas	Papildomai pasirenkamas 2000 lapų dėklas
A3 <sup>1</sup> 297 x 420 mm (11,69 x 16,54 col.)	√	√	X
A4 210 x 297 mm (8,27 x 11,7 col.)	√	√	√ <sup>2</sup>
A5 <sup>1</sup> 148 x 210 mm (5,83 x 8,27 col.)	√	√	X

<sup>1</sup> Įkeliamas tik esant trumpo krašto orientacijai.

<sup>2</sup> Įkeliamas tik esant ilgo krašto orientacijai.

<sup>3</sup> Palaikomas nuo 139,7 x 181,86 mm (5,5 x 7,16 col.) iki 296,93 x 431,8 mm (11,69 x 17 col.) dydžio popierius.

Popieriaus formatas	Papildomas 520 lapų dėklas, papildomas 520 lapų dėklas su dėže ir papildomas 3 x 520 lapų dėklas	Papildomas 2520 lapų sudvejintas dėklas	Papildomai pasirenkamas 2000 lapų dėklas
<b>A6</b> 105 x 148 mm (4,13 x 5,83 col.)	X	X	X
<b>„Executive“</b> 184,2 x 266,7 mm (7,25 x 10,5 col.)	✓	✓	✓ <sup>2</sup>
<b>„Folio“<sup>1</sup></b> 215,9 x 330,2 mm (8,5 x 13 col.)	✓	✓	X
<b>„Hagaki“</b> 100 x 148 mm (3,94 x 5,83 col.)	X	X	X
<b>JIS B4<sup>1</sup></b> 257 x 364 mm (10,12 x 14,33 col.)	✓	✓	X
<b>JIS B5</b> 182 x 257 mm (7,17 x 10,1 col.)	✓	✓	✓ <sup>2</sup>
<b>Didžioji knyga<sup>1</sup></b> 279,4 x 4431,8 mm (11 x 17 col.)	✓	✓	X
<b>„Legal“<sup>1</sup></b> 215,9 x 355,6 mm (8,5 x 14 col.)	✓	✓	X
<b>„Letter“</b> 215,9 x 279,4 mm (8,5 x 11 col.)	✓	✓	✓ <sup>2</sup>
<b>„Oficio (Mexico)“<sup>1</sup></b> 215,9 x 340,4 mm (8,5 x 13,4 col.)	✓	✓	X
<b>„Statement“<sup>1</sup></b> 139,7 x 215,9 mm (5,5 x 8,5 col.)	✓	✓	X
<b>Universalus</b>	✓ <sup>3</sup>	✓ <sup>3</sup>	✓ <sup>3</sup>

<sup>1</sup> Įkeliamas tik esant trumpo krašto orientacijai.

<sup>2</sup> Įkeliamas tik esant ilgo krašto orientacijai.

<sup>3</sup> Palaikomas nuo 139,7 x 181,86 mm (5,5 x 7,16 col.) iki 296,93 x 431,8 mm (11,69 x 17 col.) dydžio popierius.

Popieriaus formatas	Papildomas 520 lapų dėklas, papildomas 520 lapų dėklas su dėže ir papildomas 3 x 520 lapų dėklas	Papildomas 2520 lapų sudvejintas dėklas	Papildomai pasirenkamas 2000 lapų dėklas
„7 3/4 Envelope“ 98,4 x 190,5 mm (3,875 x 7,5 col.)	X	X	X
„9 Envelope“ 98,4 x 225,4 mm (3,875 x 8,9 col.)	X	X	X
„10 Envelope“ 104,8 x 241,3 mm (4,12 x 9,5 col.)	X	X	X
„B5 Envelope“ 176 x 250 mm (6,93 x 9,84 col.)	X	X	X
„C5 Envelope“ 162 x 229 mm (6,38 x 9,01 col.)	X	X	X
„DL Envelope“ 110 x 220 mm (4,33 x 8,66 col.)	X	X	X

<sup>1</sup> Įkeliamas tik esant trumpo krašto orientacijai.  
<sup>2</sup> Įkeliamas tik esant ilgo krašto orientacijai.  
<sup>3</sup> Palaikomas nuo 139,7 x 181,86 mm (5,5 x 7,16 col.) iki 296,93 x 431,8 mm (11,69 x 17 col.) dydžio popierius.

### Popieriaus formatai, kuriuos palaiko išvedinių dėtuvių

Popieriaus formatas	Standartinė dėtuvi		Viršutinė dėtuvi
	Sukrovimas į krūvą	Poslinkis	Sukrovimas į krūvą
<b>A3</b> <sup>1</sup> 297 x 420 mm (11,69 x 16,54 col.)	✓	✓	✓
<b>A4</b> 210 x 297 mm (8,27 x 11,7 col.)	✓	✓	✓
<b>A5</b> 148 x 210 mm (5,83 x 8,27 col.)	✓	✓	✓

<sup>1</sup> Įkeliamas tik esant trumpo krašto orientacijai.  
<sup>2</sup> Įkeliamas tik esant ilgo krašto orientacijai.  
<sup>3</sup> Palaikomas nuo 88,9 x 98,38 mm (3,5 x 3,87 col.) iki 296,93 x 482,6 mm (11,69 x 19 col.) dydžio popierius.  
<sup>4</sup> Palaikomas nuo 88,9 x 98,38 mm (3,5 x 3,87 col.) iki 296,93 x 431,8 mm (11,69 x 17 col.) dydžio popierius.

Popieriaus formatas	Standartinė dėtuvė		Viršutinė dėtuvė
	Sukrovimas į krūvą	Poslinkis	Sukrovimas į krūvą
<b>A6<sup>1</sup></b> 105 x 148 mm (4,13 x 5,83 col.)	✓	✓	✓
<b>„Executive“</b> 184,2 x 266,7 mm (7,25 x 10,5 col.)	✓	✓	✓
<b>„Folio“<sup>1</sup></b> 215,9 x 330,2 mm (8,5 x 13 col.)	✓	✓	✓
<b>„Hagaki“<sup>1</sup></b> 100 x 148 mm (3,94 x 5,83 col.)	✓	✓	✓
<b>JIS B4<sup>1</sup></b> 257 x 364 mm (10,12 x 14,33 col.)	✓	✓	✓
<b>JIS B5</b> 182 x 257 mm (7,17 x 10,1 col.)	✓	✓	✓
<b>Didžioji knyga<sup>1</sup></b> 279,4 x 4431,8 mm (11 x 17 col.)	✓	✓	✓
<b>„Legal“<sup>1</sup></b> 215,9 x 355,6 mm (8,5 x 14 col.)	✓	✓	✓
<b>„Letter“</b> 215,9 x 279,4 mm (8,5 x 11 col.)	✓	✓	✓
<b>„Oficio (Mexico)“<sup>1</sup></b> 215,9 x 340,4 mm (8,5 x 13,4 col.)	✓	✓	✓
<b>„Statement“</b> 139,7 x 215,9 mm (5,5 x 8,5 col.)	✓	✓	✓
<b>Universalus</b>	✓ <sup>3</sup>	✓ <sup>4</sup>	X

<sup>1</sup> Įkeliamas tik esant trumpo krašto orientacijai.

<sup>2</sup> Įkeliamas tik esant ilgo krašto orientacijai.

<sup>3</sup> Palaikomas nuo 88,9 x 98,38 mm (3,5 x 3,87 col.) iki 296,93 x 482,6 mm (11,69 x 19 col.) dydžio popierius.

<sup>4</sup> Palaikomas nuo 88,9 x 98,38 mm (3,5 x 3,87 col.) iki 296,93 x 431,8 mm (11,69 x 17 col.) dydžio popierius.

Popieriaus formatas	Standartinė dėtuvė		Viršutinė dėtuvė
	Sukrovimas į krūvą	Poslinkis	Sukrovimas į krūvą
„7 3/4 Envelope“ <sup>2</sup> 98,4 x 190,5 mm (3,875 x 7,5 col.)	✓	✓	✓
„9 Envelope“ <sup>2</sup> 98,4 x 225,4 mm (3,875 x 8,9 col.)	✓	✓	✓
„10 Envelope“ <sup>2</sup> 104,8 x 241,3 mm (4,12 x 9,5 col.)	✓	✓	✓
„B5 Envelope“ <sup>2</sup> 176 x 250 mm (6,93 x 9,84 col.)	✓	✓	✓
„C5 Envelope“ <sup>2</sup> 162 x 229 mm (6,38 x 9,01 col.)	✓	✓	✓
„DL Envelope“ <sup>2</sup> 110 x 220 mm (4,33 x 8,66 col.)	✓	✓	✓

<sup>1</sup> Įkeliami tik esant trumpo krašto orientacijai.  
<sup>2</sup> Įkeliami tik esant ilgo krašto orientacijai.  
<sup>3</sup> Palaikomas nuo 88,9 x 98,38 mm (3,5 x 3,87 col.) iki 296,93 x 482,6 mm (11,69 x 19 col.) dydžio popierius.  
<sup>4</sup> Palaikomas nuo 88,9 x 98,38 mm (3,5 x 3,87 col.) iki 296,93 x 431,8 mm (11,69 x 17 col.) dydžio popierius.

### Popieriaus formatai, kuriuos palaiko apipavidalinimo įtaisai

Popieriaus formatas	Sąsagėlių segiklis			Sąsagėlių segimo, skylmušos įtaisai			
	Sukrovimas į krūvą	Poslinkis	Susegimas	Sukrovimas į krūvą	Poslinkis	Susegimas	Skylmuša
A3 <sup>1</sup> 297 x 420 mm (11,69 x 16,54 col.)	✓	✓	✓	✓	✓	✓	✓

<sup>1</sup> Įkeliami tik esant trumpo krašto orientacijai.  
<sup>2</sup> Įkeliami tik esant ilgo krašto orientacijai.  
<sup>3</sup> Palaikomas nuo 88,9 x 98,38 mm (3,5 x 3,87 col.) iki 296,93 x 431,8 mm (11,69 x 17 col.) dydžio popierius.  
<sup>4</sup> Palaikomas nuo 190 x 139,7 mm (7,48 x 5,5 col.) iki 296,93 x 431,8 mm (11,69 x 17 col.) dydžio popierius.  
<sup>5</sup> Palaikomas nuo 202,9 x 182,03 mm (7,99 x 7,17 col.) iki 296,93 x 431,8 mm (11,69 x 17 col.) dydžio popierius.  
<sup>6</sup> Palaikomas tik iki 2 skylių pramušimas.  
<sup>7</sup> Palaikomas tik iki 2 skylių pramušimas, kai įkeliami esant trumpo krašto orientacijai.  
<sup>8</sup> Palaikomas nuo 88,9 x 98,38 mm (3,5 x 3,87 col.) iki 320,04 x 1320,8 mm (12,6 x 52 col.) dydžio popierius.  
<sup>9</sup> Palaikomas nuo 209,97 x 148 mm (8,27 x 5,83 col.) iki 296,93 x 431,8 mm (11,69 x 17 col.) dydžio popierius.

Popieriaus formatas	Sąsagėlių segiklis			Sąsagėlių segimo, skylmušos įtaisas			
	Sukrovimas į krūvą	Poslinkis	Susegimas	Sukrovimas į krūvą	Poslinkis	Susegimas	Skylmuša
<b>A4</b> 210 x 297 mm (8,27 x 11,7 col.)	✓	✓	✓	✓	✓	✓	✓
<b>A5</b> 148 x 210 mm (5,83 x 8,27 col.)	✓	✓ <sup>2</sup>	X	✓	✓ <sup>2</sup>	✓ <sup>2</sup>	✓ <sup>6</sup>
<b>A6</b> 105 x 148 mm (4,13 x 5,83 col.)	✓	X	X	✓	X	X	X
<b>„Banner“</b> Didžiausias plotis: 215,9 mm (8,5 col.) Didžiausias ilgis: 1320,8 mm (52 col.)	✓ <sup>1</sup>	X	X	✓ <sup>1</sup>	X	X	X
<b>„Executive“</b> 184,2 x 266,7 mm (7,25 x 10,5 col.)	✓ <sup>2</sup>	✓ <sup>2</sup>	✓ <sup>2</sup>	✓	✓ <sup>2</sup>	✓ <sup>2</sup>	✓ <sup>2</sup>
<b>„Folio“<sup>1</sup></b> 215,9 x 330,2 mm (8,5 x 13 col.)	✓	✓	✓	✓	✓	✓	✓
<b>„Hagaki“</b> 100 x 148 mm (3,94 x 5,83 col.)	✓	X	X	✓	X	X	X
<b>JIS B4<sup>1</sup></b> 257 x 364 mm (10,12 x 14,33 col.)	✓	✓	✓	✓	✓	✓	✓
<b>JIS B5</b> 182 x 257 mm (7,17 x 10,1 col.)	✓	✓ <sup>2</sup>	✓ <sup>2</sup>	✓	✓ <sup>2</sup>	✓ <sup>2</sup>	✓ <sup>7</sup>

<sup>1</sup> Įkeliamas tik esant trumpo krašto orientacijai.

<sup>2</sup> Įkeliamas tik esant ilgo krašto orientacijai.

<sup>3</sup> Palaikomas nuo 88,9 x 98,38 mm (3,5 x 3,87 col.) iki 296,93 x 431,8 mm (11,69 x 17 col.) dydžio popierius.

<sup>4</sup> Palaikomas nuo 190 x 139,7 mm (7,48 x 5,5 col.) iki 296,93 x 431,8 mm (11,69 x 17 col.) dydžio popierius.

<sup>5</sup> Palaikomas nuo 202,9 x 182,03 mm (7,99 x 7,17 col.) iki 296,93 x 431,8 mm (11,69 x 17 col.) dydžio popierius.

<sup>6</sup> Palaikomas tik iki 2 skylių pramušimas.

<sup>7</sup> Palaikomas tik iki 2 skylių pramušimas, kai įkeliamas esant trumpo krašto orientacijai.

<sup>8</sup> Palaikomas nuo 88,9 x 98,38 mm (3,5 x 3,87 col.) iki 320,04 x 1320,8 mm (12,6 x 52 col.) dydžio popierius.

<sup>9</sup> Palaikomas nuo 209,97 x 148 mm (8,27 x 5,83 col.) iki 296,93 x 431,8 mm (11,69 x 17 col.) dydžio popierius.

Popieriaus formatas	Sąsagėlių segiklis			Sąsagėlių segimo, skylmušos įtaisas			
	Sukrovimas į krūvą	Poslinkis	Susegimas	Sukrovimas į krūvą	Poslinkis	Susegimas	Skylmuša
<b>Didžioji knyga</b> <sup>1</sup> 279,4 x 4431,8 mm (11 x 17 col.)	✓	✓	✓	✓	✓	✓	✓
<b>„Legal“</b> <sup>1</sup> 215,9 x 355,6 mm (8,5 x 14 col.)	✓	✓	✓	✓	✓	✓	✓
<b>„Letter“</b> 215,9 x 279,4 mm (8,5 x 11 col.)	✓	✓	✓	✓	✓	✓	✓
<b>„Oficio (Mexico)“</b> <sup>1</sup> 215,9 x 340,4 mm (8,5 x 13,4 col.)	✓	✓	✓	✓	✓	✓	✓
<b>„Statement“</b> 139,7 x 215,9 mm (5,5 x 8,5 col.)	✓	✓ <sup>2</sup>	X	X	X	X	X
<b>Universalus</b>	✓ <sup>3</sup>	✓ <sup>4</sup>	✓ <sup>5</sup>	✓ <sup>8</sup>	✓ <sup>9</sup>	✓ <sup>9</sup>	X
<b>„7 3/4 Envelope“</b> 98,4 x 190,5 mm (3,875 x 7,5 col.)	✓	X	X	X	X	X	X
<b>„9 Envelope“</b> 98,4 x 225,4 mm (3,875 x 8,9 col.)	✓	X	X	X	X	X	X
<b>„10 Envelope“</b> 104,8 x 241,3 mm (4,12 x 9,5 col.)	✓	X	X	X	X	X	X
<b>„B5 Envelope“</b> 176 x 250 mm (6,93 x 9,84 col.)	✓ <sup>2</sup>	X	X	X	X	X	X

<sup>1</sup> Įkeliama tik esant trumpo krašto orientacijai.

<sup>2</sup> Įkeliama tik esant ilgo krašto orientacijai.

<sup>3</sup> Palaikomas nuo 88,9 x 98,38 mm (3,5 x 3,87 col.) iki 296,93 x 431,8 mm (11,69 x 17 col.) dydžio popierius.

<sup>4</sup> Palaikomas nuo 190 x 139,7 mm (7,48 x 5,5 col.) iki 296,93 x 431,8 mm (11,69 x 17 col.) dydžio popierius.

<sup>5</sup> Palaikomas nuo 202,9 x 182,03 mm (7,99 x 7,17 col.) iki 296,93 x 431,8 mm (11,69 x 17 col.) dydžio popierius.

<sup>6</sup> Palaikomas tik iki 2 skylių pramušimas.

<sup>7</sup> Palaikomas tik iki 2 skylių pramušimas, kai įkeliama esant trumpo krašto orientacijai.

<sup>8</sup> Palaikomas nuo 88,9 x 98,38 mm (3,5 x 3,87 col.) iki 320,04 x 1320,8 mm (12,6 x 52 col.) dydžio popierius.

<sup>9</sup> Palaikomas nuo 209,97 x 148 mm (8,27 x 5,83 col.) iki 296,93 x 431,8 mm (11,69 x 17 col.) dydžio popierius.



Popieriaus formatas	Sąsagėlių segiklis			Sąsagėlių segimo, skylmušos įtaisai			
	Sukrovimas į krūvą	Poslinkis	Susegimas	Sukrovimas į krūvą	Poslinkis	Susegimas	Skylmuša
„C5 Envelope“ 162 x 229 mm (6,38 x 9,01 col.)	✓ <sup>1</sup>	X	X	X	X	X	X
„DL Envelope“ 110 x 220 mm (4,33 x 8,66 col.)	✓	X	X	X	X	X	X

<sup>1</sup> Įkeliama tik esant trumpo krašto orientacijai.  
<sup>2</sup> Įkeliama tik esant ilgo krašto orientacijai.  
<sup>3</sup> Palaikomas nuo 88,9 x 98,38 mm (3,5 x 3,87 col.) iki 296,93 x 431,8 mm (11,69 x 17 col.) dydžio popierius.  
<sup>4</sup> Palaikomas nuo 190 x 139,7 mm (7,48 x 5,5 col.) iki 296,93 x 431,8 mm (11,69 x 17 col.) dydžio popierius.  
<sup>5</sup> Palaikomas nuo 202,9 x 182,03 mm (7,99 x 7,17 col.) iki 296,93 x 431,8 mm (11,69 x 17 col.) dydžio popierius.  
<sup>6</sup> Palaikomas tik iki 2 skylių pramušimas.  
<sup>7</sup> Palaikomas tik iki 2 skylių pramušimas, kai įkeliama esant trumpo krašto orientacijai.  
<sup>8</sup> Palaikomas nuo 88,9 x 98,38 mm (3,5 x 3,87 col.) iki 320,04 x 1320,8 mm (12,6 x 52 col.) dydžio popierius.  
<sup>9</sup> Palaikomas nuo 209,97 x 148 mm (8,27 x 5,83 col.) iki 296,93 x 431,8 mm (11,69 x 17 col.) dydžio popierius.

## Palaikomos popieriaus rūšys

**Popieriaus rūšys, kurias palaiko standartinis dėklas, daugiafunkcis spausdintuvas, vokų dėklas ir dvipusis spausdinimas**

Popieriaus rūšis	Standartinis 520 lapų dėklas	Daugiafunkcis tiktuvus	Vokų dėklas	Abipusis spausdinimas
Standus popierius	✓	✓	X	✓
Kartoninis popierius („Card Stock“)	✓	✓	X	✓
Spalvotas popierius	✓	✓	X	✓
Tinkinta rūšis	✓	✓	X	✓
Vokai	X	✓	✓	X
Blizgus popierius („Glossy“)	✓	✓	X	✓
Sunkus blizgus popierius („Heavy Glossy“)	✓	✓	X	✓
Sunkus popierius	✓	✓	X	✓
Etiketės	✓	✓	X	X
Firminiai blankai	✓	✓	X	✓
Lengvas popierius	✓	✓	X	✓

Popieriaus rūšis	Standartinis 520 lapų dėklas	Daugiafunkcis tiektuvas	Vokų dėklas	Abipusis spausdinimas
Paprastas popierius („Plain Paper“)	✓	✓	X	✓
Iš anksto paruoštos formos	✓	✓	X	✓
Perdirbtas popierius	✓	✓	X	✓
Šiurkštūs vokai („Rough Envelope“)	X	✓	✓	X
Šiurkštus medvilninis popierius	✓	✓	X	✓
Vinilinės etiketės („Vinyl Labels“)	X	X	X	X

### Popieriaus rūšys, kurias palaiko papildomi dėklai

Popieriaus rūšis	Papildomas 520 lapų dėklas, papildomas 520 lapų dėklas su dėže ir papildomas 3 x 520 lapų dėklas	Papildomas 2520 lapų sudvejintas dėklas	Papildomai pasirenkamas 2000 lapų dėklas
Standus popierius	✓	✓	✓
Kartoninis popierius („Card Stock“)	✓	✓	✓
Spalvotas popierius	✓	✓	✓
Tinkinta rūšis	✓	✓	✓
Vokai	X	X	X
Blizgus popierius („Glossy“)	✓	✓	✓
Sunkus blizgus popierius („Heavy Glossy“)	✓	✓	✓
Sunkus popierius	✓	✓	✓
Etiketės	✓	✓	✓
Firminiai blankai	✓	✓	✓
Lengvas popierius	✓	✓	✓
Paprastas popierius („Plain Paper“)	✓	✓	✓
Iš anksto paruoštos formos	✓	✓	✓
Perdirbtas popierius	✓	✓	✓
Šiurkštūs vokai („Rough Envelope“)	X	X	X
Šiurkštus medvilninis popierius	✓	✓	✓
Vinilinės etiketės („Vinyl Labels“)	X	X	X

**Popieriaus rūšys, kurias palaiko išvedinių dėtuvių**

Popieriaus rūšis	Standartinė dėtuvi		Viršutinė dėtuvi
	Sukrovimas į krūvą	Poslinkis	Sukrovimas į krūvą
Standus popierius	✓	✓	✓
Kartoninis popierius („Card Stock“)	✓	✓	✓
Spalvotas popierius	✓	✓	✓
Tinkinta rūšis	✓	✓	✓
Vokai	✓	✓	✓
Blizgus popierius („Glossy“)	✓	✓	✓
Sunkus blizgus popierius („Heavy Glossy“)	✓	✓	✓
Sunkus popierius	✓	✓	✓
Etiketės	✓	✓	✓
Firminiai blankai	✓	✓	✓
Lengvas popierius	✓	✓	✓
Paprastas popierius („Plain Paper“)	✓	✓	✓
Iš anksto paruoštos formos	✓	✓	✓
Perdirbtas popierius	✓	✓	✓
Šiurkštūs vokai („Rough Envelope“)	✓	✓	✓
Šiurkštus medvilninis popierius	✓	✓	✓
Vinilinės etiketės („Vinyl Labels“)	X	X	X

**Popieriaus rūšys, kurias palaiko apipavidalinimo įtaisai**

Popieriaus rūšis	Sąsagėlių segiklis			Sąsagėlių segimo, skylmušos įtaisai			
	Sukrovimas į krūvą	Poslinkis	Susegimas	Sukrovimas į krūvą	Poslinkis	Susegimas	Skylmuša
Standus popierius	✓	✓	✓	✓	✓	✓	✓
Kartoninis popierius („Card Stock“)	✓	✓	X	✓	✓	X	✓
Spalvotas popierius	✓	✓	✓	✓	✓	✓	✓
Tinkinta rūšis	✓	✓	✓	✓	✓	✓	✓
Vokai	✓	X	X	X	X	X	X
Blizgus popierius („Glossy“)	✓	✓	✓	✓	✓	✓	✓

Popieriaus rūšis	Sąsagėlių segiklis			Sąsagėlių segimo, skylmušos įtaisas			
	Sukrovimas į krūvą	Poslinkis	Susegimas	Sukrovimas į krūvą	Poslinkis	Susegimas	Skylmuša
Sunkus blizgus popierius („Heavy Glossy“)	✓	✓	X	✓	✓	X	✓
Sunkus popierius	✓	✓	X	✓	✓	X	✓
Etiketės	✓	✓	X	X	X	X	X
Firminiai blankai	✓	✓	✓	✓	✓	✓	✓
Lengvas popierius	✓	✓	✓	✓	✓	✓	✓
Paprastas popierius („Plain Paper“)	✓	✓	✓	✓	✓	✓	✓
Iš anksto paruoštos formos	✓	✓	✓	✓	✓	✓	✓
Perdirbtas popierius	✓	✓	✓	✓	✓	✓	✓
Šiurkštūs vokai („Rough Envelope“)	✓	X	X	X	X	X	X
Šiurkštus medvilninis popierius	✓	✓	X	✓	✓	X	✓
Vinilinės etiketės („Vinyl Labels“)	X	X	X	X	X	X	X

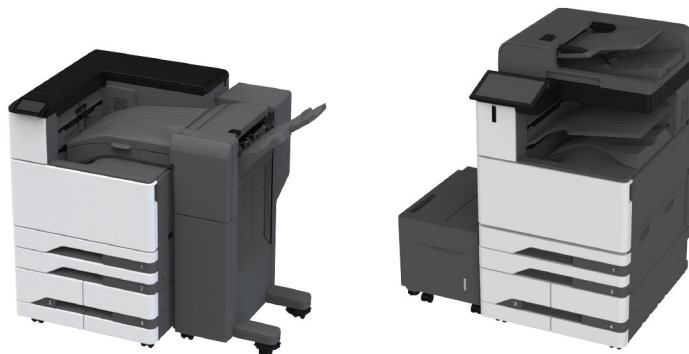
## Palaikomi popieriaus svoriai

520 lapų dėklas, 520 lapų dėklas su dėže, 3 x 520 lapų dėklas ir 2520 lapų sudvejintas dėklas	Daugiafunkcis tiek tuvas	Vokų dėklas	Papildomai pasirenkamas 2000 lapų dėklas
60–256 g/m <sup>2</sup> (12–68 sv.)	60–216 g/m <sup>2</sup> (12–57 sv.)	75–90 g/m <sup>2</sup> (20–24 sv.)	60–216 g/m <sup>2</sup> (12–57 sv.)

### Pastabos:

- Jei popierius sveria 60–176 g/m<sup>2</sup> (16–47 sv. stand.), rekomenduojama naudoti išilginio pluošto popierių.
- Ant popieriaus, kurio svoris mažesnis nei 75 g/m<sup>2</sup> (20 sv. stand.), reikia spausdinti Popieriaus rūšį nustačius į parinktį Lengvas popierius. To nepadarius, popierius gali per daug užsiriesti ir dėl to atsirasti tiekimo klaidų, ypač esant drėgnesnei aplinkai.
- Spausdinant ant abiejų pusių palaikomas popieriaus svoris nuo 60–162 g/m<sup>2</sup> (16–43 sv. stand.).
- Maksimalus 100 % medvilnės sudėties laikmenos svoris – 90 g/m<sup>2</sup> (24 sv. stand.).

## „Lexmark“ spausdintuvai ir daugiafunkciai spausdintuvai CS943, CX942, CX943, CX944, XC9445, XC9455, XC9465



Toliau pateiktose lentelėse pateikiama informacija apie standartinius ir papildomus popieriaus šaltinius bei jiems tinkamus popieriaus formatus, rūšis ir svorius.

**Pastaba:** Jei sąrašė nėra pageidaujamo popieriaus formato, pasirinkite arčiausiai sąrašė esantį *didesnį* formatą.

### Palaikomi popieriaus formatai

**Popieriaus formatai, kuriuos palaiko standartinis dėklas, daugiafunkcis spausdintuvas, vokų dėklas ir dvipusis spausdinimas**

Popieriaus formatas	Orientacija	Standartinis 2 x 520 lapų dėklas	Daugiafunkcis tiek tuvas	Vokų dėklas	Abipusis spausdinimas
<b>A3</b> 297 x 420 mm (11,69 x 16,54 col.)	Dedant trumpuoju kraštu	✓	✓	X	✓
	Dedant ilguoju kraštu	X	X	X	X
<b>A4</b> 210 x 297 mm (8,27 x 11,7 col.)	Dedant trumpuoju kraštu	✓	✓	X	✓
	Dedant ilguoju kraštu	✓	✓	X	✓
<b>A5</b> 148 x 210 mm (5,83 x 8,27 col.)	Dedant trumpuoju kraštu	✓	✓	X	✓
	Dedant ilguoju kraštu	X	✓	X	✓

<sup>1</sup> Palaikomas nuo 100 x 297 mm (3,94 x 11,69 col.) iki 320 x 457,2 mm (12,6 x 18 col.) formato popierius.

<sup>2</sup> Palaikomas nuo 88,9 x 98,4 mm (3,5 x 3,87 col.) iki 320,4 x 1320,8 mm (12,61 x 52 col.) formato popierius.

<sup>3</sup> Palaikomas nuo 90 x 98,4 mm (3,54 x 3,87 col.) iki 241,3 x 372 mm (9,5 x 14,65 col.) formato popierius.

<sup>4</sup> Palaikoma tik 2 dėkle.

Popieriaus formatas	Orientacija	Standartinis 2 x 520 lapų dėklas	Daugiafunkcis tiekuvvas	Vokų dėklas	Abipusis spausdinimas
<b>A6</b> 105 x 148 mm (4,13 x 5,83 col.)	Dedant trumpuoju kraštu	✓	✓	X	X
	Dedant ilguoju kraštu	X	X	X	X
<b>12x18</b> 304,8 x 457,2 mm (12 x 18 col.)	Dedant trumpuoju kraštu	✓ <sup>4</sup>	✓	X	✓
	Dedant ilguoju kraštu	X	X	X	X
<b>„Executive“</b> 184,2 x 266,7 mm (7,25 x 10,5 col.)	Dedant trumpuoju kraštu	✓	✓	X	✓
	Dedant ilguoju kraštu	✓	✓	X	✓
<b>Folio</b> 215,9 x 330,2 mm (8,5 x 13 col.)	Dedant trumpuoju kraštu	✓	✓	X	✓
	Dedant ilguoju kraštu	X	X	X	X
<b>Hagaki</b> 100 x 148 mm (3,94 x 5,83 col.)	Dedant trumpuoju kraštu	✓	✓	X	X
	Dedant ilguoju kraštu	X	X	X	X
<b>JIS B4</b> 257 x 364 mm (10,12 x 14,33 col.)	Dedant trumpuoju kraštu	✓	✓	X	✓
	Dedant ilguoju kraštu	X	X	X	X
<b>JIS B5</b> 182 x 257 mm (7,17 x 10,1 col.)	Dedant trumpuoju kraštu	✓	✓	X	✓
	Dedant ilguoju kraštu	✓	✓	X	✓
<b>„Ledger“</b> 279,4 x 4431,8 mm (11 x 17 col.)	Dedant trumpuoju kraštu	✓	✓	X	✓
	Dedant ilguoju kraštu	X	X	X	X
<b>„Legal“</b> 215,9 x 355,6 mm (8,5 x 14 col.)	Dedant trumpuoju kraštu	✓	✓	X	✓
	Dedant ilguoju kraštu	X	X	X	X
<b>„Letter“</b> 215,9 x 279,4 mm (8,5 x 11 col.)	Dedant trumpuoju kraštu	✓	✓	X	✓
	Dedant ilguoju kraštu	✓	✓	X	✓
<b>„Oficio“ (Meksika)</b> 215,9 x 340,4 mm (8,5 x 13,4 col.)	Dedant trumpuoju kraštu	✓	X	X	✓
	Dedant ilguoju kraštu	X	X	X	X
<b>SRA3 A3+</b> 329 x 483 mm (12,9 x 19,02 col.)	Dedant trumpuoju kraštu	✓ <sup>4</sup>	✓	X	✓
	Dedant ilguoju kraštu	X	X	X	X

<sup>1</sup> Palaikomas nuo 100 x 297 mm (3,94 x 11,69 col.) iki 320 x 457,2 mm (12,6 x 18 col.) formato popierius.

<sup>2</sup> Palaikomas nuo 88,9 x 98,4 mm (3,5 x 3,87 col.) iki 320,4 x 1320,8 mm (12,61 x 52 col.) formato popierius.

<sup>3</sup> Palaikomas nuo 90 x 98,4 mm (3,54 x 3,87 col.) iki 241,3 x 372 mm (9,5 x 14,65 col.) formato popierius.

<sup>4</sup> Palaikoma tik 2 dėkle.

Popieriaus formatas	Orientacija	Standartinis 2 x 520 lapų dėklas	Daugiafunkcis tiekuvvas	Vokų dėklas	Abipusis spausdinimas
<b>„Statement“</b> 139,7 x 215,9 mm (5,5 x 8,5 col.)	Dedant trumpuoju kraštu	✓	✓	X	✓
	Dedant ilguoju kraštu	X	X	X	✓
<b>„Monarch 7 3/4“</b> 98,4 x 190,5 mm (3,875 x 7,5 col.)	Dedant trumpuoju kraštu	X	X	X	X
	Dedant ilguoju kraštu	X	✓	✓	X
<b>„Envelope (Naganata #3)“</b> 120 x 235 mm (4,75 x 9,25 col.)	Dedant trumpuoju kraštu	X	X	✓	X
	Dedant ilguoju kraštu	X	X	X	X
<b>„9 Envelope“</b> 98,4 x 225,4 mm (3,875 x 8,9 col.)	Dedant trumpuoju kraštu	X	X	X	X
	Dedant ilguoju kraštu	X	✓	✓	X
<b>„Commercial #10 Envelope“</b> 104,8 x 241,3 mm (4,12 x 9,5 col.)	Dedant trumpuoju kraštu	X	X	X	X
	Dedant ilguoju kraštu	X	✓	✓	X
<b>„B5 Envelope“</b> 176 x 250 mm (6,93 x 9,84 col.)	Dedant trumpuoju kraštu	X	✓	✓	X
	Dedant ilguoju kraštu	X	X	X	X
<b>„Envelope (ISO C4)“</b> 229 x 324 mm (9 x 12,8 col.)	Dedant trumpuoju kraštu	X	X	✓	X
	Dedant ilguoju kraštu	X	X	X	X
<b>„Envelope (ISO C5)“</b> 162 x 229 mm (6,38 x 9,01 col.)	Dedant trumpuoju kraštu	X	X	X	X
	Dedant ilguoju kraštu	X	X	✓	X
<b>„DL Envelope“</b> 110 x 220 mm (4,33 x 8,66 col.)	Dedant trumpuoju kraštu	X	X	X	X
	Dedant ilguoju kraštu	X	X	✓	X
<b>Universalus</b>	Nėra	✓ <sup>1</sup>	✓ <sup>2</sup>	✓ <sup>3</sup>	X

<sup>1</sup> Palaikomas nuo 100 x 297 mm (3,94 x 11,69 col.) iki 320 x 457,2 mm (12,6 x 18 col.) formato popierius.  
<sup>2</sup> Palaikomas nuo 88,9 x 98,4 mm (3,5 x 3,87 col.) iki 320,4 x 1320,8 mm (12,61 x 52 col.) formato popierius.  
<sup>3</sup> Palaikomas nuo 90 x 98,4 mm (3,54 x 3,87 col.) iki 241,3 x 372 mm (9,5 x 14,65 col.) formato popierius.  
<sup>4</sup> Palaikoma tik 2 dėkle.

**Popieriaus dydžiai, kuriuos palaiko pasirenkami dėklai**

Popieriaus formatas	Orientacija	Papildomas 2 x 520 lapų dėklas	Papildomas 2000 lapų sudvejintas dėklas	Pasirenkamas 2000 lapų dėklas	Automatinis dokumentų tiekimas
<b>A3</b> 297 x 420 mm (11,69 x 16,54 col.)	Dedant trumpuoju kraštu	✓	X	X	✓
	Dedant ilguoju kraštu	X	X	X	X
<b>A4</b> 210 x 297 mm (8,27 x 11,7 col.)	Dedant trumpuoju kraštu	✓	X	X	✓
	Dedant ilguoju kraštu	✓	✓	✓	✓
<b>A5</b> 148 x 210 mm (5,83 x 8,27 col.)	Dedant trumpuoju kraštu	✓	X	X	✓
	Dedant ilguoju kraštu	X	X	X	✓
<b>A6</b> 105 x 148 mm (4,13 x 5,83 col.)	Dedant trumpuoju kraštu	✓	X	X	X
	Dedant ilguoju kraštu	X	X	X	X
<b>12x18</b> 304,8 x 457,2 mm (12 x 18 col.)	Dedant trumpuoju kraštu	✓	X	X	✓
	Dedant ilguoju kraštu	X	X	X	X
<b>„Executive“</b> 184,2 x 266,7 mm (7,25 x 10,5 col.)	Dedant trumpuoju kraštu	✓	X	X	✓
	Dedant ilguoju kraštu	✓	✓	✓	✓
<b>Folio</b> 215,9 x 330,2 mm (8,5 x 13 col.)	Dedant trumpuoju kraštu	✓	X	X	✓
	Dedant ilguoju kraštu	X	X	X	X
<b>Hagaki</b> 100 x 148 mm (3,94 x 5,83 col.)	Dedant trumpuoju kraštu	✓	X	X	X
	Dedant ilguoju kraštu	X	X	X	X
<b>JIS B4</b> 257 x 364 mm (10,12 x 14,33 col.)	Dedant trumpuoju kraštu	✓	X	X	✓
	Dedant ilguoju kraštu	X	X	X	X
<b>JIS B5</b> 182 x 257 mm (7,17 x 10,1 col.)	Dedant trumpuoju kraštu	✓	X	X	✓
	Dedant ilguoju kraštu	✓	✓	✓	✓
<b>„Ledger“</b> 279,4 x 4431,8 mm (11 x 17 col.)	Dedant trumpuoju kraštu	✓	X	X	✓
	Dedant ilguoju kraštu	X	X	X	X

<sup>1</sup> Palaikomas nuo 100 x 148 mm (3,94 x 5,83 col.) iki 320 x 457,2 mm (12,6 x 18 col.) formato popierius.

<sup>2</sup> Palaikomas nuo 125 x 85 mm (4,92 x 3,35 col.) iki 297 x 482,6 mm (11,69 x 19 col.) formato popierius.



Popieriaus formatas	Orientacija	Papildomas 2 x 520 lapų dėklas	Papildomas 2000 lapų sudvejintas dėklas	Pasirenkamas 2000 lapų dėklas	Automatinis dokumentų tiektuvas
<b>„Legal“</b> 215,9 x 355,6 mm (8,5 x 14 colių)	Dedant trumpuoju kraštu	✓	X	X	✓
	Dedant ilguoju kraštu	X	X	X	X
<b>„Letter“</b> 215,9 x 279,4 mm (8,5 x 11 col.)	Dedant trumpuoju kraštu	✓	X	X	✓
	Dedant ilguoju kraštu	✓	✓	✓	✓
<b>„Oficio“ (Meksika)</b> 215,9 x 340,4 mm (8,5 x 13,4 col.)	Dedant trumpuoju kraštu	✓	X	X	✓
	Dedant ilguoju kraštu	X	X	X	X
<b>SRA3 A3+</b> 329 x 483 mm (12,9 x 19,02 col.)	Dedant trumpuoju kraštu	✓	X	X	X
	Dedant ilguoju kraštu	X	X	X	X
<b>„Statement“</b> 139,7 x 215,9 mm (5,5 x 8,5 col.)	Dedant trumpuoju kraštu	✓	X	X	✓
	Dedant ilguoju kraštu	X	X	X	✓
<b>„Monarch 7 3/4“</b> 98,4 x 190,5 mm (3,875 x 7,5 col.)	Dedant trumpuoju kraštu	X	X	X	X
	Dedant ilguoju kraštu	X	X	X	X
<b>„Envelope (Naganata #3)“</b> 120 x 235 mm (4,75 x 9,25 col.)	Dedant trumpuoju kraštu	X	X	X	X
	Dedant ilguoju kraštu	X	X	X	X
<b>„9 Envelope“</b> 98,4 x 225,4 mm (3,875 x 8,9 col.)	Dedant trumpuoju kraštu	X	X	X	X
	Dedant ilguoju kraštu	X	X	X	X
<b>„Commercial #10 Envelope“</b> 104,8 x 241,3 mm (4,12 x 9,5 col.)	Dedant trumpuoju kraštu	X	X	X	X
	Dedant ilguoju kraštu	X	X	X	X
<b>B5 vokas</b> 176 x 250 mm (6,93 x 9,84 col.)	Dedant trumpuoju kraštu	X	X	X	X
	Dedant ilguoju kraštu	X	X	X	X
<b>„Envelope (ISO C4)“</b> 229 x 324 mm (9 x 12,8 col.)	Dedant trumpuoju kraštu	X	X	X	X
	Dedant ilguoju kraštu	X	X	X	X
<b>C5 vokas</b> 162 x 229 mm (6,38 x 9,01 col.)	Dedant trumpuoju kraštu	X	X	X	X
	Dedant ilguoju kraštu	X	X	X	X

<sup>1</sup> Palaikomas nuo 100 x 148 mm (3,94 x 5,83 col.) iki 320 x 457,2 mm (12,6 x 18 col.) formato popierius.

<sup>2</sup> Palaikomas nuo 125 x 85 mm (4,92 x 3,35 col.) iki 297 x 482,6 mm (11,69 x 19 col.) formato popierius.

Popieriaus formatas	Orientacija	Papildomas 2 x 520 lapų dėklas	Papildomas 2000 lapų sudvejintas dėklas	Pasirenkamas 2000 lapų dėklas	Automatinis dokumentų tiektuvas
„DL Envelope“ 110 x 220 mm (4,33 x 8,66 col.)	Dedant trumpuoju kraštu	X	X	X	X
	Dedant ilguoju kraštu	X	X	X	✓
„Universal“	Nėra	✓ <sup>1</sup>	X	X	✓ <sup>2</sup>

<sup>1</sup> Palaikomas nuo 100 x 148 mm (3,94 x 5,83 col.) iki 320 x 457,2 mm (12,6 x 18 col.) formato popierius.  
<sup>2</sup> Palaikomas nuo 125 x 85 mm (4,92 x 3,35 col.) iki 297 x 482,6 mm (11,69 x 19 col.) formato popierius.

### Popieriaus dydžiai, palaikomi išvesties dėžėse

Popieriaus formatas	Išvesties dėžė	Orientacija	Standartinė dėtuvė		Dvigubo paėmimo krepšelis	
			Sukrovimas į krūvą	Grupavimas	Sukrovimas į krūvą	Grupavimas
A3 297 x 420 mm (11,69 x 16,54 col.)	Standartinė dėtuvė	Dedant trumpuoju kraštu	✓	✓	X	X
		Dedant ilguoju kraštu	X	X	X	X
	1	Dedant trumpuoju kraštu	X	X	✓	✓
		Dedant ilguoju kraštu	X	X	X	X
A4 210 x 297 mm (8,27 x 11,7 col.)	Standartinė dėtuvė	Dedant trumpuoju kraštu	✓	✓	X	X
		Dedant ilguoju kraštu	✓	✓	X	X
	1	Dedant trumpuoju kraštu	X	X	✓	✓
		Dedant ilguoju kraštu	X	X	✓	✓
A5 148 x 210 mm (5,83 x 8,27 col.)	Standartinė dėtuvė	Dedant trumpuoju kraštu	✓	✓	X	X
		Dedant ilguoju kraštu	✓	✓	X	X
	1	Dedant trumpuoju kraštu	X	X	✓	✓
		Dedant ilguoju kraštu	X	X	✓	✓

Popieriaus formatas	Išvesties dėžė	Orientacija	Standartinė dėtuvė		Dvigubo paėmimo krepšelis	
			Sukrovimas į krūvą	Grupavimas	Sukrovimas į krūvą	Grupavimas
<b>A6</b> 105 x 148 mm (4,13 x 5,83 col.)	Standartinė dėtuvė	Dedant trumpuoju kraštu	✓	✓	✓	✓
		Dedant ilguoju kraštu	✓	✓	✓	✓
	1	Dedant trumpuoju kraštu	X	X	✓	✓
		Dedant ilguoju kraštu	X	X	✓	✓
<b>12x18</b> 304,8 x 457,2 mm (12 x 18 col.)	Standartinė dėtuvė	Dedant trumpuoju kraštu	✓	X	X	X
		Dedant ilguoju kraštu	X	X	X	X
	1	Dedant trumpuoju kraštu	X	X	✓	X
		Dedant ilguoju kraštu	X	X	X	X
<b>„Banner“</b> Maks. plotis: 215,9 mm (8,5 colio) Maks. ilgis: 1320,8 mm (52 col.)	Standartinė dėtuvė	Dedant trumpuoju kraštu	✓	X	X	X
		Dedant ilguoju kraštu	X	X	X	X
	1	Dedant trumpuoju kraštu	X	X	✓	X
		Dedant ilguoju kraštu	X	X	X	X
<b>„Executive“</b> 184,2 x 266,7 mm (7,25 x 10,5 col.)	Standartinė dėtuvė	Dedant trumpuoju kraštu	✓	✓	X	X
		Dedant ilguoju kraštu	✓	✓	X	X
	1	Dedant trumpuoju kraštu	X	X	✓	✓
		Dedant ilguoju kraštu	X	X	✓	✓
<b>Folio</b> 215,9 x 330,2 mm (8,5 x 13 col.)	Standartinė dėtuvė	Dedant trumpuoju kraštu	✓	✓	X	X
		Dedant ilguoju kraštu	X	X	X	X
	1	Dedant trumpuoju kraštu	X	X	✓	✓
		Dedant ilguoju kraštu	X	X	X	X

Popieriaus formatas	Išvesties dėžė	Orientacija	Standartinė dėtuvė		Dvigubo paėmimo krepšelis	
			Sukrovimas į krūvą	Grupavimas	Sukrovimas į krūvą	Grupavimas
<b>Hagaki</b> 100 x 148 mm (3,94 x 5,83 col.)	Standartinė dėtuvė	Dedant trumpuoju kraštu	✓	✓	X	X
		Dedant ilguoju kraštu	✓	✓	X	X
	1	Dedant trumpuoju kraštu	X	X	✓	✓
		Dedant ilguoju kraštu	X	X	✓	✓
<b>JIS B4</b> 257 x 364 mm (10,12 x 14,33 col.)	Standartinė dėtuvė	Dedant trumpuoju kraštu	✓	✓	X	X
		Dedant ilguoju kraštu	X	X	X	X
	1	Dedant trumpuoju kraštu	X	X	✓	✓
		Dedant ilguoju kraštu	X	X	X	X
<b>JIS B5</b> 182 x 257 mm (7,17 x 10,1 col.)	Standartinė dėtuvė	Dedant trumpuoju kraštu	✓	✓	X	X
		Dedant ilguoju kraštu	✓	✓	X	X
	1	Dedant trumpuoju kraštu	X	X	✓	✓
		Dedant ilguoju kraštu	X	X	✓	✓
<b>„Ledger“</b> 279,4 x 4431,8 mm (11 x 17 col.)	Standartinė dėtuvė	Dedant trumpuoju kraštu	✓	✓	X	X
		Dedant ilguoju kraštu	X	X	X	X
	1	Dedant trumpuoju kraštu	X	X	✓	✓
		Dedant ilguoju kraštu	X	X	X	X
<b>„Legal“</b> 215,9 x 355,6 mm (8,5 x 14 col.)	Standartinė dėtuvė	Dedant trumpuoju kraštu	✓	✓	X	X
		Dedant ilguoju kraštu	X	X	X	X
	1	Dedant trumpuoju kraštu	X	X	✓	✓
		Dedant ilguoju kraštu	X	X	X	X

Popieriaus formatas	Išvesties dėžė	Orientacija	Standartinė dėtuvė		Dvigubo paėmimo krepšelis	
			Sukrovimas į krūvą	Grupavimas	Sukrovimas į krūvą	Grupavimas
„Letter“ 215,9 x 279,4 mm (8,5 x 11 col.)	Standartinė dėtuvė	Dedant trumpuoju kraštu	✓	✓	X	X
		Dedant ilguoju kraštu	✓	✓	X	X
	1	Dedant trumpuoju kraštu	X	X	✓	✓
		Dedant ilguoju kraštu	X	X	✓	✓
„Oficio“ (Meksika) 215,9 x 340,4 mm (8,5 x 13,4 col.)	Standartinė dėtuvė	Dedant trumpuoju kraštu	✓	✓	X	X
		Dedant ilguoju kraštu	X	X	X	X
	1	Dedant trumpuoju kraštu	X	X	✓	✓
		Dedant ilguoju kraštu	X	X	X	X
SRA3 320,04 x 449,58 mm (12,6 x 17,7 col.)	Standartinė dėtuvė	Dedant trumpuoju kraštu	✓	X	X	X
		Dedant ilguoju kraštu	X	X	X	X
	1	Dedant trumpuoju kraštu	X	X	✓	X
		Dedant ilguoju kraštu	X	X	X	X
„Statement“ 139,7 x 215,9 mm (5,5 x 8,5 col.)	Standartinė dėtuvė	Dedant trumpuoju kraštu	✓	✓	X	X
		Dedant ilguoju kraštu	✓	✓	X	X
	1	Dedant trumpuoju kraštu	X	X	✓	✓
		Dedant ilguoju kraštu	X	X	✓	✓
„Envelope (Monarch 7 3/4)“ 98,4 x 190,5 mm (3,875 x 7,5 col.)	Standartinė dėtuvė	Dedant trumpuoju kraštu	✓	✓	X	X
		Dedant ilguoju kraštu	✓	✓	X	X
	1	Dedant trumpuoju kraštu	X	X	✓	✓
		Dedant ilguoju kraštu	X	X	✓	✓

Popieriaus formatas	Išvesties dėžė	Orientacija	Standartinė dėtuvė		Dvigubo paėmimo krepšelis	
			Sukrovimas į krūvą	Grupavimas	Sukrovimas į krūvą	Grupavimas
„Envelope (Naganata #3)“ 120 x 235 mm (4,75 x 9,25 col.)	Standartinė dėtuvė	Dedant trumpuoju kraštu	✓	✓	X	X
		Dedant ilguoju kraštu	✓	✓	X	X
	1	Dedant ilguoju kraštu	X	X	✓	✓
		Dedant trumpuoju kraštu	X	X	✓	✓
„Envelope (Commercial #9)“ 98,4 x 225,4 mm (3,875 x 8,9 col.)	Standartinė dėtuvė	Dedant trumpuoju kraštu	✓	✓	X	X
		Dedant ilguoju kraštu	✓	✓	X	X
	1	Dedant trumpuoju kraštu	X	X	✓	✓
		Dedant ilguoju kraštu	X	X	✓	✓
„Envelope (Commercial #10)“ 104,8 x 241,3 mm (4,12 x 9,5 col.)	Standartinė dėtuvė	Dedant trumpuoju kraštu	✓	✓	X	X
		Dedant ilguoju kraštu	✓	✓	X	X
	1	Dedant trumpuoju kraštu	X	X	✓	✓
		Dedant ilguoju kraštu	X	X	✓	✓
„B5 Envelope“ 176 x 250 mm (6,93 x 9,84 col.)	Standartinė dėtuvė	Dedant trumpuoju kraštu	X	X	X	X
		Dedant ilguoju kraštu	✓	✓	X	X
	1	Dedant trumpuoju kraštu	X	X	X	X
		Dedant ilguoju kraštu	X	X	✓	✓
„Envelope (ISO C4)“ 229 x 324 mm (9 x 12,8 col.)	Standartinė dėtuvė	Dedant trumpuoju kraštu	✓	✓	X	X
		Dedant ilguoju kraštu	X	X	X	X
	1	Dedant trumpuoju kraštu	X	X	✓	✓
		Dedant ilguoju kraštu	X	X	X	X

Popieriaus formatas	Išvesties dėžė	Orientacija	Standartinė dėtuvė		Dvigubo paėmimo krepšelis	
			Sukrovimas į krūvą	Grupavimas	Sukrovimas į krūvą	Grupavimas
„Envelope (ISO C5)“ 162 x 229 mm (6,38 x 9,01 col.)	Standartinė dėtuvė	Dedant trumpuoju kraštu	✓	✓	X	X
		Dedant ilguoju kraštu	X	X	X	X
	1	Dedant trumpuoju kraštu	X	X	✓	✓
		Dedant ilguoju kraštu	X	X	X	X
„DL Envelope“ 110 x 220 mm (4,33 x 8,66 col.)	Standartinė dėtuvė	Dedant trumpuoju kraštu	✓	✓	X	X
		Dedant ilguoju kraštu	✓	✓	X	X
	1	Dedant trumpuoju kraštu	X	X	✓	✓
		Dedant ilguoju kraštu	X	X	✓	✓

### Popieriaus formatai, kuriuos palaiko sąsagėlių segiklis įtaisas ir sąsagėlių segimo, skylmušos įtaisas

Popieriaus formatas	Išvesčių dėtuvė	Orientacija	Sąsagėlių segiklis			Sąsagėlių, skylmušos įtaisas			
			Sukrovimas į krūvą	Grupavimas	Susegimas	Sukrovimas į krūvą	Grupavimas	Susegimas	Skylnuša
<b>A3</b> 297 x 420 mm (11,69 x 16,54 col.)	Standartinė dėtuvė	Dedant trumpuoju kraštu	✓	✓	✓	✓	✓	✓	✓
		Dedant ilguoju kraštu	X	X	X	X	X	X	X
<b>A4</b> 210 x 297 mm (8,27 x 11,7 col.)	Standartinė dėtuvė	Dedant trumpuoju kraštu	✓	✓	✓	✓	✓	✓	✓
		Dedant ilguoju kraštu	✓	✓	✓	✓	✓	✓	✓

<sup>1</sup> Palaiko tik iki dviejų skylių išmušimą.

Popieriaus formatas	Išvesčių dėtuvė	Orientacija	Sąsagėlių segiklis			Sąsagėlių, skylmušos įtaisas			
			Sukrovimas į krūvą	Grupavimas	Susegimas	Sukrovimas į krūvą	Grupavimas	Susegimas	Skylmuša
<b>A5</b> 148 x 210 mm (5,83 x 8,27 col.)	Standartinė dėtuvė	Dedant trumpuoju kraštu	✓	X	X	✓	X	X	✓ <sup>1</sup>
		Dedant ilguoju kraštu	✓	✓	X	✓	✓	✓	✓ <sup>1</sup>
<b>A6</b> 105 x 148 mm (4,13 x 5,83 col.)	Standartinė dėtuvė	Dedant trumpuoju kraštu	✓	X	X	✓	X	X	X
		Dedant ilguoju kraštu	X	X	X	X	X	X	X
<b>12x18</b> 304,8 x 457,2 mm (12 x 18 col.)	Standartinė dėtuvė	Dedant trumpuoju kraštu	X	X	X	✓	X	X	X
		Dedant ilguoju kraštu	X	X	X	X	X	X	X
<b>„Banner“</b> Maks. plotis: 215,9 mm (8,5 colio) Maks. ilgis: 1320,8 mm (52 col.)	Standartinė dėtuvė	Dedant trumpuoju kraštu	X	X	X	✓	X	X	X
		Dedant ilguoju kraštu	X	X	X	X	X	X	X
<b>„Executive“</b> 184,2 x 266,7 mm (7,25 x 10,5 col.)	Standartinė dėtuvė	Dedant trumpuoju kraštu	✓	X	X	✓	X	X	X
		Dedant ilguoju kraštu	✓	✓	✓	✓	✓	✓	✓
<b>Folio</b> 215,9 x 330,2 mm (8,5 x 13 col.)	Standartinė dėtuvė	Dedant trumpuoju kraštu	✓	✓	✓	✓	✓	✓	✓
		Dedant ilguoju kraštu	X	X	X	X	X	X	X
<b>Hagaki</b> 100 x 148 mm (3,94 x 5,83 col.)	Standartinė dėtuvė	Dedant trumpuoju kraštu	✓	X	X	✓	X	X	X
		Dedant ilguoju kraštu	✓	X	X	✓	X	X	X

<sup>1</sup> Palaiko tik iki dviejų skylių išmušimą.



Popieriaus formatas	Išvesčių dėtuvė	Orientacija	Sąsagėlių segiklis			Sąsagėlių, skylmušos įtaisas			
			Sukrovimas į krūvą	Grupavimas	Susegimas	Sukrovimas į krūvą	Grupavimas	Susegimas	Skylmuša
<b>JIS B4</b> 257 x 364 mm (10,12 x 14,33 col.)	Standartinė dėtuvė	Dedant trumpuoju kraštu	✓	✓	✓	✓	✓	✓	✓
		Dedant ilguoju kraštu	X	X	X	X	X	X	X
<b>JIS B5</b> 182 x 257 mm (7,17 x 10,1 col.)	Standartinė dėtuvė	Dedant trumpuoju kraštu	✓	X	X	✓	X	X	✓ <sup>1</sup>
		Dedant ilguoju kraštu	✓	✓	✓	✓	✓	✓	✓
<b>„Ledger“</b> 279,4 x 4431,8 mm (11 x 17 col.)	Standartinė dėtuvė	Dedant trumpuoju kraštu	✓	✓	✓	✓	✓	✓	✓
		Dedant ilguoju kraštu	X	X	X	X	X	X	X
<b>„Legal“</b> 215,9 x 355,6 mm (8,5 x 14 col.)	Standartinė dėtuvė	Dedant trumpuoju kraštu	✓	✓	✓	✓	✓	✓	✓
		Dedant ilguoju kraštu	X	X	X	X	X	X	X
<b>„Letter“</b> 215,9 x 279,4 mm (8,5 x 11 col.)	Standartinė dėtuvė	Dedant trumpuoju kraštu	✓	✓	✓	✓	✓	✓	✓
		Dedant ilguoju kraštu	✓	✓	✓	✓	✓	✓	✓
<b>Oficio (Meksika)</b> 215,9 x 340,4 mm (8,5 x 13,4 col.)	Standartinė dėtuvė	Dedant trumpuoju kraštu	✓	✓	✓	✓	✓	✓	✓
		Dedant ilguoju kraštu	X	X	X	X	X	X	X
<b>SRA3</b> 320,04 x 449,58 mm (12,6 x 17,7 col.)	Standartinė dėtuvė	Dedant trumpuoju kraštu	X	X	X	✓	X	X	X
		Dedant ilguoju kraštu	X	X	X	X	X	X	X

<sup>1</sup> Palaiko tik iki dviejų skylių išmušimą.

Popieriaus formatas	Išvesčių dėtuvė	Orientacija	Sąsagėlių segiklis			Sąsagėlių, skylmušos įtaisas			
			Sukrovimas į krūvą	Grupavimas	Susegimas	Sukrovimas į krūvą	Grupavimas	Susegimas	Skylmuša
<b>„Statement“</b> 139,7 x 215,9 mm (5,5 x 8,5 col.)	Standartinė dėtuvė	Dedant trumpuoju kraštu	✓	X	X	X	X	X	X
		Dedant ilguoju kraštu	✓	✓	X	X	X	X	X
<b>7 3/4 Vokas</b> 98,4 x 190,5 mm (3,875 x 7,5 col.)	Standartinė dėtuvė	Dedant trumpuoju kraštu	✓	X	X	X	X	X	X
		Dedant ilguoju kraštu	✓	X	X	✓	X	X	X
<b>„9 Envelope“</b> 98,4 x 225,4 mm (3,875 x 8,9 col.)	Standartinė dėtuvė	Dedant trumpuoju kraštu	✓	X	X	X	X	X	X
		Dedant ilguoju kraštu	✓	X	X	✓	X	X	X
<b>„10 Envelope“</b> 104,8 x 241,3 mm (4,12 x 9,5 col.)	Standartinė dėtuvė	Dedant trumpuoju kraštu	✓	X	X	X	X	X	X
		Dedant ilguoju kraštu	✓	X	X	✓	X	X	X
<b>„B5 Envelope“</b> 176 x 250 mm (6,93 x 9,84 col.)	Standartinė dėtuvė	Dedant trumpuoju kraštu	X	X	X	X	X	X	X
		Dedant ilguoju kraštu	✓	X	X	✓	X	X	X
<b>„C5 Envelope“</b> 162 x 229 mm (6,38 x 9,01 col.)	Standartinė dėtuvė	Dedant trumpuoju kraštu	X	X	X	✓	X	X	X
		Dedant ilguoju kraštu	X	X	X	X	X	X	X
<b>„DL Envelope“</b> 110 x 220 mm (4,33 x 8,66 col.)	Standartinė dėtuvė	Dedant trumpuoju kraštu	✓	X	X	X	X	X	X
		Dedant ilguoju kraštu	✓	X	X	✓	X	X	X

<sup>1</sup> Palaiko tik iki dviejų skylių išmušimą.

**Popieriaus formatai, kuriuos palaiko trigubo sulenkimo / Z sulenkimo įtaisais ir bukletų apipavidalinimo įtaisais**

Popieriaus formatas	Išvesties dėžė	Orientacija	Trigubo sulenkimo / Z sulenkimo apipavidalinimo įtaisais		Brošiūrų apipavidalinimo įtaisais						
			Trigubas sulenkimas	Z sulenkimas	Sukrovimas į krūvą	Grupavimas	Susegimas	Skylmuša	Bukleto susegimas	Bukleto susegimas, lankstymas	Dvigubas sulenkimas, vienas lapas
A3 297 x 420 mm (11,69 x 16,54 col.)	Standartinė dėžė	Dedant trumpuoju kraštu	X	✓	✓	✓	X	✓	X	X	X
		Dedant ilguoju kraštu	X	X	X	X	X	X	X	X	X
	1	Dedant trumpuoju kraštu	X	✓	✓	✓	✓	✓ <sup>2</sup>	X	X	X
		Dedant ilguoju kraštu	X	X	X	X	X	X	X	X	X
	2	Dedant trumpuoju kraštu	X	X	X	X	X	X	✓	✓	✓
		Dedant ilguoju kraštu	X	X	X	X	X	X	X	X	X
	3	Dedant trumpuoju kraštu	X	X	X	X	X	X	X	X	X
		Dedant ilguoju kraštu	X	X	X	X	X	X	X	X	X

<sup>1</sup> Palaiko tik iki dviejų skylių išmušimą.

<sup>2</sup> Palaiko du dvigubus segiklius

Popieriaus formatas	Išvesties dėžė	Orientacija	Trigubo sulenkimo / Z sulenkimo apipavidalinimo įtaisas		Brošiūrų apipavidalinimo įtaisas						
			Trigubas sulenkimas	Z sulenkimas	Sukrovimas į krūvą	Grupavimas	Susegimas	Skylmuša	Bukleto susegimas	Bukleto susegimas, lankstymas	Dvigubas sulenkimas, vienas lapas
A4 210 x 297 mm (8,27 x 11,7 col.)	Standartinė dėžė	Dedant trumpuoju kraštu	X	X	✓	✓	X	✓	X	X	X
		Dedant ilguoju kraštu	X	X	✓	✓	X	✓	X	X	X
	1	Dedant trumpuoju kraštu	X	X	✓	✓	✓	✓	X	X	X
		Dedant ilguoju kraštu	X	X	✓	✓	✓	✓ <sup>2</sup>	X	X	X
	2	Dedant trumpuoju kraštu	X	X	X	X	X	X	✓	✓	✓
		Dedant ilguoju kraštu	X	X	X	X	X	X	X	X	X
	3	Dedant trumpuoju kraštu	✓	X	X	X	X	X	X	X	X
		Dedant ilguoju kraštu	X	X	X	X	X	X	X	X	X

<sup>1</sup> Palaiko tik iki dviejų skylių išmušimą.

<sup>2</sup> Palaiko du dvigubus segiklius

Popieriaus formatas	Išvesties dėžė	Orientacija	Trigubo sulenkimo / Z sulenkimo apipavidalinimo įtaisas		Brošiūrų apipavidalinimo įtaisas							
			Trigubas sulenkimas	Z sulenkimas	Sukrovimas į krūvą	Grupavimas	Susegimas	Skyľmuša	Bukleto susegimas	Bukleto susegimas, lankstymas	Dvigubas sulenkimas, vienas lapas	
A5 148 x 210 mm (5,83 x 8,27 col.)	Standartinė dėžė	Dedant trumpuoju kraštu	X	X	✓	X	X	X	X	X	X	X
		Dedant ilguoju kraštu	X	X	✓	X	X	✓ <sup>1</sup>	X	X	X	X
	1	Dedant trumpuoju kraštu	X	X	X	X	X	X	X	X	X	X
		Dedant ilguoju kraštu	X	X	X	X	X	✓ <sup>1</sup>	X	X	X	X
	2	Dedant trumpuoju kraštu	X	X	X	X	X	X	X	X	X	X
		Dedant ilguoju kraštu	X	X	X	X	X	X	X	X	X	X
	3	Dedant trumpuoju kraštu	X	X	X	X	X	X	X	X	X	X
		Dedant ilguoju kraštu	X	X	X	X	X	X	X	X	X	X

<sup>1</sup> Palaiko tik iki dviejų skylių išmušimą.

<sup>2</sup> Palaiko du dvigubus segiklius

Popieriaus formatas	Išvesties dėžė	Orientacija	Trigubo sulenkimo / Z sulenkimo apipavidalinimo įtaisas		Brošiūrų apipavidalinimo įtaisas							
			Trigubas sulenkimas	Z sulenkimas	Sukrovimas į krūvą	Grupavimas	Susegimas	Skylmuša	Bukleto susegimas	Bukleto susegimas, lankstymas	Dvigubas sulenkimas, vienas lapas	
A6 105 x 148 mm (4,13 x 5,83 col.)	Standartinė dėžė	Dedant trumpuoju kraštu	X	X	✓	X	X	X	X	X	X	X
		Dedant ilguoju kraštu	X	X	X	X	X	X	X	X	X	X
	1	Dedant trumpuoju kraštu	X	X	X	X	X	X	X	X	X	X
		Dedant ilguoju kraštu	X	X	X	X	X	X	X	X	X	X
	2	Dedant trumpuoju kraštu	X	X	X	X	X	X	X	X	X	X
		Dedant ilguoju kraštu	X	X	X	X	X	X	X	X	X	X
	3	Dedant trumpuoju kraštu	X	X	X	X	X	X	X	X	X	X
		Dedant ilguoju kraštu	X	X	X	X	X	X	X	X	X	X

<sup>1</sup> Palaiko tik iki dviejų skylių išmušimą.

<sup>2</sup> Palaiko du dvigubus segiklius

Popieriaus formatas	Išvesties dėžė	Orientacija	Trigubo sulenkimo / Z sulenkimo apipavidalinimo įtaisas		Brošiūrų apipavidalinimo įtaisas							
			Trigubas sulenkimas	Z sulenkimas	Sukrovimas į krūvą	Grupavimas	Susegimas	Skylmuša	Bukleto susegimas	Bukleto susegimas, lankstymas	Dvigubas sulenkimas, vienas lapas	
<b>12x18</b> 304,8 x 457,2 mm (12 x 18 col.)	Standartinė dėžė	Dedant trumpuoju kraštu	X	X	✓	X	X	X	X	X	X	X
		Dedant ilguoju kraštu	X	X	X	X	X	X	X	X	X	X
	1	Dedant trumpuoju kraštu	X	X	✓	X	X	X	X	X	X	X
		Dedant ilguoju kraštu	X	X	✓	X	X	X	X	X	X	X
	2	Dedant trumpuoju kraštu	X	X	X	X	X	X	X	✓	✓	✓
		Dedant ilguoju kraštu	X	X	X	X	X	X	X	X	X	X
	3	Dedant trumpuoju kraštu	X	X	X	X	X	X	X	X	X	X
		Dedant ilguoju kraštu	X	X	X	X	X	X	X	X	X	X

<sup>1</sup> Palaiko tik iki dviejų skylių išmušimą.

<sup>2</sup> Palaiko du dvigubus segiklius

Popieriaus formatas	Išvesties dėžė	Orientacija	Trigubo sulenkimo / Z sulenkimo apipavidalinimo įtaisai		Brošiūrų apipavidalinimo įtaisai							
			Trigubas sulenkimas	Z sulenkimas	Sukrovimas į krūvą	Grupavimas	Susegimas	Skylmuša	Bukleto susegimas	Bukleto susegimas, lankstymas	Dvigubas sulenkimas, vienas lapas	
„Banner“ Maks. plotis: 215,9 mm (8,5 colio) Maks. ilgis: 1320,8 mm (52 col.)	Standartinė dėžė	Dedant trumpuoju kraštu	X	X	✓	X	X	X	X	X	X	X
		Dedant ilguoju kraštu	X	X	X	X	X	X	X	X	X	X
	1	Dedant trumpuoju kraštu	X	X	X	X	X	X	X	X	X	X
		Dedant ilguoju kraštu	X	X	X	X	X	X	X	X	X	X
	2	Dedant trumpuoju kraštu	X	X	X	X	X	X	X	X	X	X
		Dedant ilguoju kraštu	X	X	X	X	X	X	X	X	X	X
		Dedant trumpuoju kraštu	X	X	X	X	X	X	X	X	X	X
		Dedant ilguoju kraštu	X	X	X	X	X	X	X	X	X	X

<sup>1</sup> Palaiko tik iki dviejų skylių išmušimą.

<sup>2</sup> Palaiko du dvigubus segiklius



Popieriaus formatas	Išvesties dėžė	Orientacija	Trigubo sulenkimo / Z sulenkimo apipavidalinimo įtaisai		Brošiūrų apipavidalinimo įtaisai							
			Trigubas sulenkimas	Z sulenkimas	Sukrovimas į krūvą	Grupavimas	Susegimas	Skylmuša	Bukleto susegimas	Bukleto susegimas, lankstymas	Dvigubas sulenkimas, vienas lapas	
„Executive“ 184,2 x 266,7 mm (7,25 x 10,5 col.)	Standartinė dėžė	Dedant trumpuoju kraštu	X	X	✓	X	X	X	X	X	X	X
		Dedant ilguoju kraštu	X	X	✓	✓	X	✓	X	X	X	X
	1	Dedant trumpuoju kraštu	X	X	✓	X	X	X	X	X	X	X
		Dedant ilguoju kraštu	X	X	✓	✓	✓	✓	X	X	X	X
	2	Dedant trumpuoju kraštu	X	X	X	X	X	X	X	X	X	X
		Dedant ilguoju kraštu	X	X	X	X	X	X	X	X	X	X
	3	Dedant trumpuoju kraštu	X	X	X	X	X	X	X	X	X	X
		Dedant ilguoju kraštu	X	X	X	X	X	X	X	X	X	X

<sup>1</sup> Palaiko tik iki dviejų skylių išmušimą.

<sup>2</sup> Palaiko du dvigubus segiklius

Popieriaus formatas	Išvesties dėžė	Orientacija	Trigubo sulenkimo / Z sulenkimo apipavidalinimo įtaisai		Brošiūrų apipavidalinimo įtaisai						
			Trigubas sulenkimas	Z sulenkimas	Sukrovimas į krūvą	Grupavimas	Susegimas	Skylmuša	Bukleto susegimas	Bukleto susegimas, lankstymas	Dvigubas sulenkimas, vienas lapas
Folio 215,9 x 330,2 mm (8,5 x 13 col.)	Standartinė dėžė	Dedant trumpuoju kraštu	X	X	✓	✓	X	✓	X	X	X
		Dedant ilguoju kraštu	X	X	X	X	X	X	X	X	X
	1	Dedant trumpuoju kraštu	X	X	✓	✓	✓	✓	X	X	X
		Dedant ilguoju kraštu	X	X	X	X	X	X	X	X	X
	2	Dedant trumpuoju kraštu	X	X	X	X	X	X	✓	✓	✓
		Dedant ilguoju kraštu	X	X	X	X	X	X	X	X	X
	3	Dedant trumpuoju kraštu	X	X	X	X	X	X	X	X	X
		Dedant ilguoju kraštu	X	X	X	X	X	X	X	X	X

<sup>1</sup> Palaiko tik iki dviejų skylių išmušimą.

<sup>2</sup> Palaiko du dvigubus segiklius

Popieriaus formatas	Išvesties dėžė	Orientacija	Trigubo sulenkimo / Z sulenkimo apipavidalinimo įtaisas		Brošiūrų apipavidalinimo įtaisas							
			Trigubas sulenkimas	Z sulenkimas	Sukrovimas į krūvą	Grupavimas	Susegimas	Skylmuša	Bukleto susegimas	Bukleto susegimas, lankstymas	Dvigubas sulenkimas, vienas lapas	
<b>Hagaki</b> 100 x 148 mm (3,94 x 5,83 col.)	Standartinė dėžė	Dedant trumpuoju kraštu	X	X	✓	X	X	X	X	X	X	X
		Dedant ilguoju kraštu	X	X	✓	X	X	X	X	X	X	X
	1	Dedant trumpuoju kraštu	X	X	X	X	X	X	X	X	X	X
		Dedant ilguoju kraštu	X	X	X	X	X	X	X	X	X	X
	2	Dedant trumpuoju kraštu	X	X	X	X	X	X	X	X	X	X
		Dedant ilguoju kraštu	X	X	X	X	X	X	X	X	X	X
	3	Dedant trumpuoju kraštu	X	X	X	X	X	X	X	X	X	X
		Dedant ilguoju kraštu	X	X	X	X	X	X	X	X	X	X

<sup>1</sup> Palaiko tik iki dviejų skylių išmušimą.

<sup>2</sup> Palaiko du dvigubus segiklius

Popieriaus formatas	Išvesties dėžė	Orientacija	Trigubo sulenkimo / Z sulenkimo apipavidalinimo įtaisas		Brošiūrų apipavidalinimo įtaisas						
			Trigubas sulenkimas	Z sulenkimas	Sukrovimas į krūvą	Grupavimas	Susegimas	Skylmuša	Bukleto susegimas	Bukleto susegimas, lankstymas	Dvigubas sulenkimas, vienas lapas
<b>JIS B4</b> 257 x 364 mm (10,12 x 14,33 col.)	Standartinė dėžė	Dedant trumpuoju kraštu	X	✓	✓	✓	X	✓	X	X	X
		Dedant ilguoju kraštu	X	✓	X	X	X	X	X	X	X
	1	Dedant trumpuoju kraštu	X	✓	✓	✓	✓ <sup>2</sup>	✓	X	X	X
		Dedant ilguoju kraštu	X	✓	X	X	X	X	X	X	X
	2	Dedant trumpuoju kraštu	X	X	X	X	X	X	✓	✓	✓
		Dedant ilguoju kraštu	X	X	X	X	X	X	X	X	X
	3	Dedant trumpuoju kraštu	X	X	X	X	X	X	X	X	X
		Dedant ilguoju kraštu	X	X	X	X	X	X	X	X	X

<sup>1</sup> Palaiko tik iki dviejų skylių išmušimą.

<sup>2</sup> Palaiko du dvigubus segiklius

Popieriaus formatas	Išvesties dėžė	Orientacija	Trigubo sulenkimo / Z sulenkimo apipavidalinimo įtaisas		Brošiūrų apipavidalinimo įtaisas							
			Trigubas sulenkimas	Z sulenkimas	Sukrovimas į krūvą	Grupavimas	Susegimas	Skylmuša	Bukleto susegimas	Bukleto susegimas, lankstymas	Dvigubas sulenkimas, vienas lapas	
<b>JIS B5</b> 182 x 257 mm (7,17 x 10,1 col.)	Standartinė dėžė	Dedant trumpuoju kraštu	X	X	✓	X	X	X	X	X	X	X
		Dedant ilguoju kraštu	X	X	✓	✓	X	✓	X	X	X	X
	1	Dedant trumpuoju kraštu	X	X	✓	X	X	X	X	X	X	X
		Dedant ilguoju kraštu	X	X	✓	✓	✓ <sup>2</sup>	✓	X	X	X	X
	2	Dedant trumpuoju kraštu	X	X	X	X	X	X	X	✓	✓	✓
		Dedant ilguoju kraštu	X	X	X	X	X	X	X	X	X	X
	3	Dedant trumpuoju kraštu	X	X	X	X	X	X	X	X	X	X
		Dedant ilguoju kraštu	X	X	X	X	X	X	X	X	X	X

<sup>1</sup> Palaiko tik iki dviejų skylių išmušimą.

<sup>2</sup> Palaiko du dvigubus segiklius

Popieriaus formatas	Išvesties dėžė	Orientacija	Trigubo sulenkimo / Z sulenkimo apipavidalinimo įtaisas		Brošiūrų apipavidalinimo įtaisas						
			Trigubas sulenkimas	Z sulenkimas	Sukrovimas į krūvą	Grupavimas	Susegimas	Skylmuša	Bukleto susegimas	Bukleto susegimas, lankstymas	Dvigubas sulenkimas, vienas lapas
„Ledger“ 279,4 x 4431,8 mm (11 x 17 col.)	Standartinė dėžė	Dedant trumpuoju kraštu	X	✓	✓	✓	X	✓	X	X	X
		Dedant ilguoju kraštu	X	✓	X	X	X	X	X	X	X
	1	Dedant trumpuoju kraštu	X	✓	✓	✓	✓ <sup>2</sup>	✓	X	X	X
		Dedant ilguoju kraštu	X	✓	X	X	X	X	X	X	X
	2	Dedant trumpuoju kraštu	X	X	X	X	X	X	✓	✓	✓
		Dedant ilguoju kraštu	X	X	X	X	X	X	X	X	X
	3	Dedant trumpuoju kraštu	X	X	X	X	X	X	X	X	X
		Dedant ilguoju kraštu	X	X	X	X	X	X	X	X	X

<sup>1</sup> Palaiko tik iki dviejų skylių išmušimą.

<sup>2</sup> Palaiko du dvigubus segiklius

Popieriaus formatas	Išvesties dėžė	Orientacija	Trigubo sulenkimo / Z sulenkimo apipavidalinimo įtaisas		Brošiūrų apipavidalinimo įtaisas						
			Trigubas sulenkimas	Z sulenkimas	Sukrovimas į krūvą	Grupavimas	Susegimas	Skylmuša	Bukleto susegimas	Bukleto susegimas, lankstymas	Dvigubas sulenkimas, vienas lapas
„Legal“ 215,9 x 355,6 mm (8,5 x 14 colių)	Standartinė dėžė	Dedant trumpuoju kraštu	X	X	✓	✓	X	✓	X	X	X
		Dedant ilguoju kraštu	X	X	X	X	X	X	X	X	X
	1	Dedant trumpuoju kraštu	X	X	✓	✓	✓	✓	X	X	X
		Dedant ilguoju kraštu	X	X	X	X	X	X	X	X	X
	2	Dedant trumpuoju kraštu	X	X	X	X	X	X	✓	✓	✓
		Dedant ilguoju kraštu	X	X	✓	✓	X	✓	X	X	X
	3	Dedant trumpuoju kraštu	X	X	X	X	X	X	X	X	X
		Dedant ilguoju kraštu	X	X	X	X	X	X	X	X	X

<sup>1</sup> Palaiko tik iki dviejų skylių išmušimą.

<sup>2</sup> Palaiko du dvigubus segiklius

Popieriaus formatas	Išvesties dėžė	Orientacija	Trigubo sulenkimo / Z sulenkimo apipavidalinimo įtaisas		Brošiūrų apipavidalinimo įtaisas						
			Trigubas sulenkimas	Z sulenkimas	Sukrovimas į krūvą	Grupavimas	Susegimas	Skylmuša	Bukleto susegimas	Bukleto susegimas, lankstymas	Dvigubas sulenkimas, vienas lapas
„Letter“ 215,9 x 279,4 mm (8,5 x 11 col.)	Standartinė dėžė	Dedant trumpuoju kraštu	X	✓	✓	✓	X	✓	X	X	X
		Dedant ilguoju kraštu	X	X	✓	✓	X	✓	X	X	X
	1	Dedant trumpuoju kraštu	X	✓	✓	✓	✓	✓	X	X	X
		Dedant ilguoju kraštu	X	X	✓	✓	✓ <sup>2</sup>	✓	X	X	X
	2	Dedant trumpuoju kraštu	X	X	X	X	X	X	✓	✓	✓
		Dedant ilguoju kraštu	X	X	X	X	X	X	X	X	X
	3	Dedant trumpuoju kraštu	✓	X	X	X	X	X	X	X	X
		Dedant ilguoju kraštu	X	X	X	X	X	X	X	X	X

<sup>1</sup> Palaiko tik iki dviejų skylių išmušimą.

<sup>2</sup> Palaiko du dvigubus segiklius



Popieriaus formatas	Išvesties dėžė	Orientacija	Trigubo sulenkimo / Z sulenkimo apipavidalinimo įtaisas		Brošiūrų apipavidalinimo įtaisas						
			Trigubas sulenkimas	Z sulenkimas	Sukrovimas į krūvą	Grupavimas	Susegimas	Skylmuša	Bukleto susegimas	Bukleto susegimas, lankstymas	Dvigubas sulenkimas, vienas lapas
„Oficio“ (Meksika) 215,9 x 340,4 mm (8,5 x 13,4 col.)	Standartinė dėžė	Dedant trumpuoju kraštu	X	X	✓	✓	X	✓	X	X	X
		Dedant ilguoju kraštu	X	X	X	X	X	X	X	X	X
	1	Dedant trumpuoju kraštu	X	X	✓	✓	✓	✓	X	X	X
		Dedant ilguoju kraštu	X	X	X	X	X	X	X	X	X
	2	Dedant trumpuoju kraštu	X	X	X	X	X	X	✓	✓	✓
		Dedant ilguoju kraštu	X	X	X	X	X	X	X	X	X
	3	Dedant trumpuoju kraštu	X	X	X	X	X	X	X	X	X
		Dedant ilguoju kraštu	X	X	X	X	X	X	X	X	X

<sup>1</sup> Palaiko tik iki dviejų skylių išmušimą.

<sup>2</sup> Palaiko du dvigubus segiklius

Popieriaus formatas	Išvesties dėžė	Orientacija	Trigubo sulenkimo / Z sulenkimo apipavidalinimo įtaisas		Brošiūrų apipavidalinimo įtaisas							
			Trigubas sulenkimas	Z sulenkimas	Sukrovimas į krūvą	Grupavimas	Susegimas	Skylmuša	Bukleto susegimas	Bukleto susegimas, lankstymas	Dvigubas sulenkimas, vienas lapas	
<b>SRA3</b> 320,04 x 449,58 mm (12,6 x 17,7 col.)	Standartinė dėžė	Dedant trumpuoju kraštu	X	X	✓	X	X	X	X	X	X	X
		Dedant ilguoju kraštu	X	X	X	X	X	X	X	X	X	X
	1	Dedant trumpuoju kraštu	X	X	✓	X	X	X	X	X	X	X
		Dedant ilguoju kraštu	X	X	X	X	X	X	X	X	X	X
	2	Dedant trumpuoju kraštu	X	X	X	X	X	X	X	✓	✓	✓
		Dedant ilguoju kraštu	X	X	X	X	X	X	X	X	X	X
	3	Dedant trumpuoju kraštu	X	X	X	X	X	X	X	X	X	X
		Dedant ilguoju kraštu	X	X	X	X	X	X	X	X	X	X

<sup>1</sup> Palaiko tik iki dviejų skylių išmušimą.

<sup>2</sup> Palaiko du dvigubus segiklius

Popieriaus formatas	Išvesties dėžė	Orientacija	Trigubo sulenkimo / Z sulenkimo apipavidalinimo įtaisas		Brošiūrų apipavidalinimo įtaisas							
			Trigubas sulenkimas	Z sulenkimas	Sukrovimas į krūvą	Grupavimas	Susegimas	Skylmuša	Bukleto susegimas	Bukleto susegimas, lankstymas	Dvigubas sulenkimas, vienas lapas	
„Statement“ 139,7 x 215,9 mm (5,5 x 8,5 col.)	Standartinė dėžė	Dedant trumpuoju kraštu	X	X	✓	X	X	X	X	X	X	X
		Dedant ilguoju kraštu	X	X	✓	X	X	X	X	X	X	X
	1	Dedant trumpuoju kraštu	X	X	X	X	X	X	X	X	X	X
		Dedant ilguoju kraštu	X	X	X	X	X	X	X	X	X	X
	2	Dedant trumpuoju kraštu	X	X	X	X	X	X	X	X	X	X
		Dedant ilguoju kraštu	X	X	X	X	X	X	X	X	X	X
	3	Dedant trumpuoju kraštu	X	X	X	X	X	X	X	X	X	X
		Dedant ilguoju kraštu	X	X	X	X	X	X	X	X	X	X

<sup>1</sup> Palaiko tik iki dviejų skylių išmušimą.

<sup>2</sup> Palaiko du dvigubus segiklius

Popieriaus formatas	Išvesties dėžė	Orientacija	Trigubo sulenkimo / Z sulenkimo apipavidalinimo įtaisas		Brošiūrų apipavidalinimo įtaisas							
			Trigubas sulenkimas	Z sulenkimas	Sukrovimas į krūvą	Grupavimas	Susegimas	Skylmuša	Bukleto susegimas	Bukleto susegimas, lankstymas	Dvigubas sulenkimas, vienas lapas	
<b>7 3/4 Vokas</b> 98,4 x 190,5 mm (3,875 x 7,5 col.)	Standartinė dėžė	Dedant trumpuoju kraštu	X	X	X	X	X	X	X	X	X	X
		Dedant ilguoju kraštu	X	X	✓	X	X	X	X	X	X	X
	1	Dedant trumpuoju kraštu	X	X	X	X	X	X	X	X	X	X
		Dedant ilguoju kraštu	X	X	X	X	X	X	X	X	X	X
	2	Dedant trumpuoju kraštu	X	X	X	X	X	X	X	X	X	X
		Dedant ilguoju kraštu	X	X	X	X	X	X	X	X	X	X
	3	Dedant trumpuoju kraštu	X	X	X	X	X	X	X	X	X	X
		Dedant ilguoju kraštu	X	X	X	X	X	X	X	X	X	X

<sup>1</sup> Palaiko tik iki dviejų skylių išmušimą.

<sup>2</sup> Palaiko du dvigubus segiklius

Popieriaus formatas	Išvesties dėžė	Orientacija	Trigubo sulenkimo / Z sulenkimo apipavidalinimo įtaisas		Brošiūrų apipavidalinimo įtaisas							
			Trigubas sulenkimas	Z sulenkimas	Sukrovimas į krūvą	Grupavimas	Susegimas	Skylmuša	Bukleto susegimas	Bukleto susegimas, lankstymas	Dvigubas sulenkimas, vienas lapas	
„9 Envelope“ 98,4 x 225,4 mm (3,875 x 8,9 col.)	Standartinė dėžė	Dedant trumpuoju kraštu	X	X	X	X	X	X	X	X	X	X
		Dedant ilguoju kraštu	X	X	✓	X	X	X	X	X	X	X
	1	Dedant trumpuoju kraštu	X	X	X	X	X	X	X	X	X	X
		Dedant ilguoju kraštu	X	X	X	X	X	X	X	X	X	X
	2	Dedant trumpuoju kraštu	X	X	X	X	X	X	X	X	X	X
		Dedant ilguoju kraštu	X	X	X	X	X	X	X	X	X	X
	3	Dedant trumpuoju kraštu	X	X	X	X	X	X	X	X	X	X
		Dedant ilguoju kraštu	X	X	X	X	X	X	X	X	X	X

<sup>1</sup> Palaiko tik iki dviejų skylių išmušimą.

<sup>2</sup> Palaiko du dvigubus segiklius

Popieriaus formatas	Išvesties dėžė	Orientacija	Trigubo sulenkimo / Z sulenkimo apipavidalinimo įtaisas		Brošiūrų apipavidalinimo įtaisas							
			Trigubas sulenkimas	Z sulenkimas	Sukrovimas į krūvą	Grupavimas	Susegimas	Skylmuša	Bukleto susegimas	Bukleto susegimas, lankstymas	Dvigubas sulenkimas, vienas lapas	
„10 Envelope“ 104,8 x 241,3 mm (4,12 x 9,5 col.)	Standartinė dėžė	Dedant trumpuoju kraštu	X	X	X	X	X	X	X	X	X	X
		Dedant ilguoju kraštu	X	X	✓	X	X	X	X	X	X	X
	1	Dedant trumpuoju kraštu	X	X	X	X	X	X	X	X	X	X
		Dedant ilguoju kraštu	X	X	X	X	X	X	X	X	X	X
	2	Dedant trumpuoju kraštu	X	X	X	X	X	X	X	X	X	X
		Dedant ilguoju kraštu	X	X	X	X	X	X	X	X	X	X
	3	Dedant trumpuoju kraštu	X	X	X	X	X	X	X	X	X	X
		Dedant ilguoju kraštu	X	X	X	X	X	X	X	X	X	X

<sup>1</sup> Palaiko tik iki dviejų skylių išmušimą.

<sup>2</sup> Palaiko du dvigubus segiklius

Popieriaus formatas	Išvesties dėžė	Orientacija	Trigubo sulenkimo / Z sulenkimo apipavidalinimo įtaisas		Brošiūrų apipavidalinimo įtaisas							
			Trigubas sulenkimas	Z sulenkimas	Sukrovimas į krūvą	Grupavimas	Susegimas	Skylmuša	Bukleto susegimas	Bukleto susegimas, lankstymas	Dvigubas sulenkimas, vienas lapas	
„B5 Envelope“ 176 x 250 mm (6,93 x 9,84 col.)	Standartinė dėžė	Dedant trumpuoju kraštu	X	X	X	X	X	X	X	X	X	X
		Dedant ilguoju kraštu	X	X	✓	X	X	X	X	X	X	X
	1	Dedant trumpuoju kraštu	X	X	X	X	X	X	X	X	X	X
		Dedant ilguoju kraštu	X	X	X	X	X	X	X	X	X	X
	2	Dedant trumpuoju kraštu	X	X	X	X	X	X	X	X	X	X
		Dedant ilguoju kraštu	X	X	X	X	X	X	X	X	X	X
	3	Dedant trumpuoju kraštu	X	X	X	X	X	X	X	X	X	X
		Dedant ilguoju kraštu	X	X	X	X	X	X	X	X	X	X

<sup>1</sup> Palaiko tik iki dviejų skylių išmušimą.

<sup>2</sup> Palaiko du dvigubus segiklius

Popieriaus formatas	Išvesties dėžė	Orientacija	Trigubo sulenkimo / Z sulenkimo apipavidalinimo įtaisai		Brošiūrų apipavidalinimo įtaisai							
			Trigubas sulenkimas	Z sulenkimas	Sukrovimas į krūvą	Grupavimas	Susegimas	Skylmuša	Bukleto susegimas	Bukleto susegimas, lankstymas	Dvigubas sulenkimas, vienas lapas	
„C5 Envelope“ 162 x 229 mm (6,38 x 9,01 col.)	Standartinė dėžė	Dedant trumpuoju kraštu	X	X	✓	X	X	X	X	X	X	X
		Dedant ilguoju kraštu	X	X	✓	X	X	X	X	X	X	X
	1	Dedant trumpuoju kraštu	X	X	X	X	X	X	X	X	X	X
		Dedant ilguoju kraštu	X	X	X	X	X	X	X	X	X	X
	2	Dedant trumpuoju kraštu	X	X	X	X	X	X	X	X	X	X
		Dedant ilguoju kraštu	X	X	X	X	X	X	X	X	X	X
	3	Dedant trumpuoju kraštu	X	X	X	X	X	X	X	X	X	X
		Dedant ilguoju kraštu	X	X	X	X	X	X	X	X	X	X

<sup>1</sup> Palaiko tik iki dviejų skylių išmušimą.

<sup>2</sup> Palaiko du dvigubus segiklius



Popieriaus formatas	Išvesties dėžė	Orientacija	Trigubo sulenkimo / Z sulenkimo apipavidalinimo įtaisai		Brošiūrų apipavidalinimo įtaisai							
			Trigubas sulenkimas	Z sulenkimas	Sukrovimas į krūvą	Grupavimas	Susegimas	Skylnuša	Bukleto susegimas	Bukleto susegimas, lankstymas	Dvigubas sulenkimas, vienas lapas	
„DL Envelope“ 110 x 220 mm (4,33 x 8,66 col.)	Standartinė dėžė	Dedant trumpuoju kraštu	X	X	X	X	X	X	X	X	X	X
		Dedant ilguoju kraštu	X	X	✓	X	X	X	X	X	X	X
	1	Dedant trumpuoju kraštu	X	X	X	X	X	X	X	X	X	X
		Dedant ilguoju kraštu	X	X	X	X	X	X	X	X	X	X
	2	Dedant trumpuoju kraštu	X	X	X	X	X	X	X	X	X	X
		Dedant ilguoju kraštu	X	X	X	X	X	X	X	X	X	X
	3	Dedant trumpuoju kraštu	X	X	X	X	X	X	X	X	X	X
		Dedant ilguoju kraštu	X	X	X	X	X	X	X	X	X	X

<sup>1</sup> Palaiko tik iki dviejų skylių išmušimą.

<sup>2</sup> Palaiko du dvigubus segiklius

## Palaikomos popieriaus rūšys

**Popieriaus rūšys, kurias palaiko standartinis dėklas, daugiafunkcis spausdintuvas, vokų dėklas ir dvipusis spausdinimas**

Popieriaus rūšis	Standartinis 2 x 520 lapų dėklas	Daugiafunkcis tiktuvus	Vokų dėklas	Abipusis spausdinimas
Standus popierius	✓	✓	X	✓
Kartoninis popierius („Card Stock“)	✓	✓	X	✓

Popieriaus rūšis	Standartinis 2 x 520 lapų dėklas	Daugiafunkcis tiektuvas	Vokų dėklas	Abipusis spausdinimas
Spalvotas popierius	✓	✓	X	✓
Tinkinta rūšis	✓	✓	X	✓
Vokai	X	✓	✓	X
Blizgus popierius („Glossy“)	✓	✓	X	✓
Sunkus blizgus popierius („Heavy Glossy“)	✓	✓	X	✓
Sunkus popierius	✓	✓	X	✓
Etiketės	✓	✓	X	X
Firminiai blankai	✓	✓	X	✓
Lengvas popierius	✓	✓	X	✓
Paprastas popierius („Plain Paper“)	✓	✓	X	✓
Iš anksto paruoštos formos	✓	✓	X	✓
Perdirbtas popierius	✓	✓	X	✓
Šiurkštūs vokai („Rough Envelope“)	X	✓	✓	X
Šiurkštus medvilninis popierius	✓	✓	X	✓
Permatomos laikmenos („Transparencies“)	X	X	X	X
Vinilinės etiketės („Vinyl Labels“)	X	X	X	X

### Popieriaus rūšys, kurias palaiko papildomi dėklai

Popieriaus rūšis	Papildomas 2 x 520 lapų dėklas	Papildomas 2000 lapų sudvejintas dėklas	Papildomai pasirinkamas 2000 lapų dėklas
Standus popierius	✓	✓	✓
Kartoninis popierius („Card Stock“)	✓	✓	✓
Spalvotas popierius	✓	✓	✓
Tinkinta rūšis	✓	✓	✓
Vokai	X	X	X
Blizgus popierius („Glossy“)	✓	✓	✓
Sunkus blizgus popierius („Heavy Glossy“)	✓	✓	✓
Sunkus popierius	✓	✓	✓
Etiketės	✓	✓	✓

Popieriaus rūšis	Papildomas 2 x 520 lapų dėklas	Papildomas 2000 lapų sudvejintas dėklas	Papildomai pasirenkamas 2000 lapų dėklas
Firminiai blankai	✓	✓	✓
Lengvas popierius	✓	✓	✓
Paprastas popierius („Plain Paper“)	✓	✓	✓
Iš anksto paruoštos formos	✓	✓	✓
Perdirbtas popierius	✓	✓	✓
Šiurkštūs vokai („Rough Envelope“)	X	X	X
Šiurkštus medvilninis popierius	✓	✓	✓
Permatomos laikmenos („Transparencies“)	X	X	X
Vinilinės etiketės („Vinyl Labels“)	X	X	X

#### Popieriaus rūšys, kurias palaiko išvedinių dėtuvės

Popieriaus rūšis	Standartinė dėtuvė		Dvigubo paėmimo krepšelis
	Sukrovimas į krūvą	Poslinkis	Sukrovimas į krūvą
Standus popierius	✓	✓	✓
Kartoninis popierius („Card Stock“)	✓	✓	✓
Spalvotas popierius	✓	✓	✓
Tinkinta rūšis	✓	✓	✓
Vokai	✓	✓	✓
Blizgus popierius („Glossy“)	✓	✓	✓
Sunkus blizgus popierius („Heavy Glossy“)	✓	✓	✓
Sunkus popierius	✓	✓	✓
Etiketės	✓	✓	✓
Firminiai blankai	✓	✓	✓
Lengvas popierius	✓	✓	✓
Paprastas popierius („Plain Paper“)	✓	✓	✓
Iš anksto paruoštos formos	✓	✓	✓
Perdirbtas popierius	✓	✓	✓
Šiurkštūs vokai („Rough Envelope“)	✓	✓	✓
Šiurkštus medvilninis popierius	✓	✓	✓

Popieriaus rūšis	Standartinė dėtuė		Dvigubo paėmimo krepšelis
	Sukrovimas į krūvą	Poslinkis	Sukrovimas į krūvą
Permatomos laikmenos („Transparencies“)	X	X	X
Vinilinės etiketės („Vinyl Labels“)	X	X	X

**Popieriaus rūšys, kurias palaiko sąsagėlių segiklis įtaisas ir sąsagėlių segimo, skylmušos įtaisas**

Popieriaus rūšis	Sąsagėlių segiklis			Sąsagėlių segimo, skylmušos įtaisas			
	Sukrovimas į krūvą	Poslinkis	Susegimas	Sukrovimas į krūvą	Poslinkis	Susegimas	Skylmuša
Standus popierius	✓	✓	✓	✓	✓	✓	✓
Kartoninis popierius („Card Stock“)	✓	✓	X	✓	✓	X	✓
Spalvotas popierius	✓	✓	✓	✓	✓	✓	✓
Tinkinta rūšis	✓	✓	✓	✓	✓	✓	✓
Vokai	✓	X	X	X	X	X	X
Blizgus popierius („Glossy“)	✓	✓	✓	✓	✓	✓	✓
Sunkus blizgus popierius („Heavy Glossy“)	✓	✓	X	✓	✓	X	✓
Sunkus popierius	✓	✓	X	✓	✓	X	✓
Etiketės	✓	✓	X	X	X	X	X
Firminiai blankai	✓	✓	✓	✓	✓	✓	✓
Lengvas popierius	✓	✓	✓	✓	✓	✓	✓
Paprastas popierius („Plain Paper“)	✓	✓	✓	✓	✓	✓	✓
Iš anksto paruoštos formos	✓	✓	✓	✓	✓	✓	✓
Perdirbtas popierius	✓	✓	✓	✓	✓	✓	✓
Šiurkštūs vokai („Rough Envelope“)	✓	X	X	X	X	X	X
Šiurkštus medvilninis popierius	✓	✓	X	✓	✓	X	✓
Permatomos laikmenos („Transparencies“)	X	X	X	X	X	X	X
Vinilinės etiketės („Vinyl Labels“)	X	X	X	X	X	X	X

**Popieriaus rūšys, kurias palaiko trigubo sulenkimo / Z sulenkimo įtaisas ir bukletų apipavidalinimo įtaisas**

Popieriaus rūšis	Trigubo sulenkimo / Z sulenkimo apipavidalinimo įtaisas		Brošiūrų apipavidalinimo įtaisas				
	Trigubas sulenkimas	Z sulenkimas	Sukrovimas į krūvą	Poslinkis	Susegimas	Skyľmuša	Sulenkimas
Standus popierius	✓	X	✓	✓	✓	✓	X
Kartoninis popierius („Card Stock“)	X	X	✓	✓	X	✓	X
Spalvotas popierius	✓	✓	✓	✓	✓	✓	✓
Tinkinta rūšis	✓	✓	✓	✓	✓	✓	✓
Vokai	X	X	X	X	X	X	X
Blizgus popierius („Glossy“)	✓	X	✓	✓	✓	✓	✓
Sunkus blizgus popierius („Heavy Glossy“)	X	X	✓	✓	X	✓	X
Sunkus popierius	X	X	✓	✓	X	✓	X
Etiketės	X	X	X	X	X	X	X
Firminiai blankai	X	X	✓	✓	✓	✓	✓
Lengvas popierius	✓	✓	✓	✓	✓	✓	✓
Paprastas popierius („Plain Paper“)	✓	✓	✓	✓	✓	✓	✓
Iš anksto paruoštos formos	✓	✓	✓	✓	X	✓	X
Perdirbtas popierius	✓	✓	✓	✓	✓	✓	✓
Šiurkštūs vokai („Rough Envelope“)	X	X	X	X	X	X	X
Šiurkštus medvilninis popierius	X	X	✓	✓	X	✓	X
Permatomos laikmenos („Transparencies“)	X	X	X	X	X	X	X
Vinilinės etiketės („Vinyl Labels“)	X	X	X	X	X	X	X

**Pastabos:**

- Etiketės, vokai ir kartoninis popierius visada spausdinami mažesne sparta.

- Spausdinant ant abiejų pusių palaikomas popieriaus svoris – tik iki 163 g/m<sup>2</sup> (90 sv. stand.). Visos sunkesnės laikmenos palaikomos tik spausdinant ant vienos pusės.
- Retkarčiais tinka naudoti vinilines etiketes, bet jas reikia išbandyti dėl priimtumo. Kai kurias vinilines etiketes patikimiau tiekti iš daugiafunkcio tiektuvo.

## Palaikomi popieriaus svoriai

Standartinis arba papildomas 2 x 520 lapų dėklas ir papildomas 2000 lapų sudvejintas dėklas	Daugiafunkcis tiektuvas	Vokų dėklas	Papildomai pasirenkamas 2000 lapų dėklas
60–256 g/m <sup>2</sup> (12–68 sv. standus popierius)	60–216 g/m <sup>2</sup> (12–57 sv. standus popierius)	75–90 g/m <sup>2</sup> (20–24 sv. standus popierius)	60–216 g/m <sup>2</sup> (12–57 sv. standus popierius)

### Pastabos:

- Jei popierius sveria 60–176 g/m<sup>2</sup> (16–47 sv. stand.), rekomenduojama naudoti išilginio pluošto popierių.
- Ant popieriaus, kurio svoris mažesnis nei 75 g/m<sup>2</sup> (20 sv. stand.), reikia spausdinti Popieriaus rūšį nustatčius į parinktį Lengvas popierius. To nepadarius, popierius gali per daug užsiriesti ir dėl to atsirasti tiekimo klaidų, ypač esant drėgnesnei aplinkai.
- Spausdinant ant abiejų pusių palaikomas popieriaus svoris nuo 60–162 g/m<sup>2</sup> (16–43 sv. stand.).
- Maksimalus 100 % medvilnės sudėties laikmenos svoris – 90 g/m<sup>2</sup> (24 sv. stand.).

## „Lexmark“ spausdintuvai ir daugiafunkciai spausdintuvai C2326, CS431, C3426, CS439, CX431, MC3426, XC2326



Toliau pateiktose lentelėse pateikiama informacija apie standartinius ir papildomus popieriaus šaltinius bei jiems tinkamus popieriaus formatus, rūšis ir svorius.

**Pastaba:** Jei sąrašė nėra pageidaujamo popieriaus formato, pasirinkite arčiausiai sąrašė esantį *didesnį* formatą.

## Palaikomi popieriaus formatai

Popieriaus formatas	Standartinis arba papildomas 250 lapų dėklas	Neautomatinis tiekimas	Abipusis spausdinimas	ADT	Skaitytuvo stiklas
<b>A4</b> 210 x 297 mm (8,27 x 11,7 col.)	✓	✓	✓	✓	✓
<b>A5<sup>1</sup></b> 148 x 210 mm (5,83 x 8,27 col.)	✓	✓	X	✓	✓
<b>A6</b> 105 x 148 mm (4,13 x 5,83 col.)	✓	✓	X	✓	✓
<b>JIS B5</b> 182 x 257 mm (7,17 x 10,1 col.)	✓	✓	X	✓	✓
<b>„Oficio (Mexico)“</b> 215,9 x 340,4 mm (8,5 x 13,4 col.)	✓	✓	✓	✓	X
<b>„Hagaki“</b> 100 x 148 mm (3,94 x 5,83 col.)	✓	✓	X	X	✓
<b>„Statement“</b> 139,7 x 215,9 mm (5,5 x 8,5 col.)	✓	✓	X	✓	✓
<b>„Executive“</b> 184,2 x 266,7 mm (7,25 x 10,5 col.)	✓	✓	X	✓	✓
<b>„Letter“</b> 215,9 x 279,4 mm (8,5 x 11 col.)	✓	✓	✓	✓	✓
<b>„Legal“</b> 215,9 x 355,6 mm (8,5 x 14 col.)	✓	✓	✓	✓	X
<b>„Folio“</b> 215,9 x 330,2 mm (8,5 x 13 col.)	✓	✓	✓	✓	X
<b>Universalus<sup>2, 3</sup></b> Nuo 98,4 x 148 mm (3,86 x 5,83 col.) iki 215,9 x 355,6 mm (8,5 x 14 col.)	✓	✓	✓	✓	✓ <sup>4</sup>
<b>Universal<sup>2, 3</sup></b> Nuo 25,4 x 25,4 mm (1 x 1 col.) iki 215,9 x 297 mm (8,5 x 11,69 col.)	X	X	X	X	✓

<sup>1</sup> Numatytasis palaikymas – tiekimas ilguoju kraštu. Naudojant tiekiamą trumpuoju kraštu, A5 laikomas siauru popieriumi.

<sup>2</sup> Pasirinkus šį formatą, suformatuojamas 215,90 x 355,60 mm (8,5 x 14 col.) formato puslapis, išskyrus atvejus, kai formatą nurodo programinės įrangos programa.

<sup>3</sup> Siaurą popierių į spausdintuvą dėkite trumpuoju kraštu.

<sup>4</sup> Palaikomas tik iki 216 x 297 mm (8,5 x 11,7 col.) popieriaus formatai.

<sup>5</sup> Standartiniame 250 lapų dėkle palaikomas ne daugiau nei penkių vokų įdėjimas vienu metu. Papildomame 250 lapų dėkle palaikomas ne daugiau nei 40 vokų įdėjimas vienu metu.

Popieriaus formatas	Standartinis arba papildomas 250 lapų dėklas	Neautomatinis tiekimas	Abipusis spausdinimas	ADT	Skaitytuvo stiklas
<b>Universalus</b> <sup>2, 3</sup> Nuo 98 x 148 mm (3,86 x 5,83 col.) iki 215,9 x 355,6 mm (8,5 x 14 col.)	X	X	X	✓	X
<b>„7 3/4 Envelope“</b> 98,4 x 190,5 mm (3,875 x 7,5 col.)	✓ <sup>5</sup>	✓	X	X	✓
<b>„9 Envelope“</b> 98,4 x 225,4 mm (3,875 x 8,9 col.)	✓ <sup>5</sup>	✓	X	X	✓
<b>„10 Envelope“</b> 104,8 x 241,3 mm (4,12 x 9,5 col.)	✓ <sup>5</sup>	✓	X	X	✓
<b>„DL Envelope“</b> 110 x 220 mm (4,33 x 8,66 col.)	✓ <sup>5</sup>	✓	X	X	✓
<b>„C5 Envelope“</b> 162 x 229 mm (6,38 x 9,01 col.)	✓ <sup>5</sup>	✓	X	X	✓
<b>„B5 Envelope“</b> 176 x 250 mm (6,93 x 9,84 col.)	✓ <sup>5</sup>	✓	X	X	✓
<b>Kiti vokų („Envelope“) formatai</b> Nuo 98,4 x 162 mm (3,87 x 6,38 col.) iki 176 x 250 mm (6,93 x 9,84 col.)	✓ <sup>5</sup>	✓	X	X	Nėra

<sup>1</sup> Numatytasis palaikymas – tiekimas ilguoju kraštu. Naudojant tiekimą trumpuoju kraštu, A5 laikomas siauru popieriumi.

<sup>2</sup> Pasirinkus šį formatą, suformatuojamas 215,90 x 355,60 mm (8,5 x 14 col.) formato puslapis, išskyrus atvejus, kai formatą nurodo programinės įrangos programa.

<sup>3</sup> Siaurą popierių į spausdintuvą dėkite trumpuoju kraštu.

<sup>4</sup> Palaikomas tik iki 216 x 297 mm (8,5 x 11,7 col.) popieriaus formatas.

<sup>5</sup> Standartiniame 250 lapų dėkle palaikomas ne daugiau nei penkių vokų įdėjimas vienu metu. Papildomame 250 lapų dėkle palaikomas ne daugiau nei 40 vokų įdėjimas vienu metu.

## Palaikomos popieriaus rūšys

### Pastabos:

- Etiketės, vokai ir kartoninis popierius visada spausdinami mažesne sparta.
- Retkarčiais tinka naudoti etiketes, kurias reikia išbandyti dėl priimtimumo.
- ADT palaikomas tik paprastas popierius.



Popieriaus rūšis	Standartinis arba papildomas 250 lapų dėklas	Neautomatinis tiek tuvas	Abipusis spausdinimas
Paprastas popierius	✓	✓	✓
Kartoninis popierius	✓	✓	X
Etiketės	✓	✓	X
Vokai	✓	✓	X

## Palaikomi popieriaus svoriai

**Pastaba:** ADT palaikomas 52–90,3 g/m<sup>2</sup> (14–24 sv.) popierius.

Popieriaus rūšis ir svoris	Standartinis arba papildomas 250 lapų dėklas	Neautomatinis tiek tuvas	Abipusis spausdinimas
<b>Lengvas popierius</b> 60–74,9 g/m <sup>2</sup> ilgo pluošto popierius (16–19,9 sv.)	✓	✓	✓
<b>Paprastas popierius</b> 75–90,3 g/m <sup>2</sup> ilgo pluošto popierius (20–24 sv.)	✓	✓	✓
<b>Sunkus popierius</b> 90,3–105 g/m <sup>2</sup> ilgo pluošto popierius (24,1–28 sv.)	✓	✓	✓
<b>Kartoninis popierius</b> 105,1–162 g/m <sup>2</sup> ilgo pluošto popierius (28,1–43 sv.)	✓	✓	X
<b>Kartoninis popierius</b> 105,1–200 g/m <sup>2</sup> ilgo pluošto popierius (28,1–53 sv.)	X	✓	X
<b>Popierinės etiketės</b> 131 g/m <sup>2</sup> (35 sv.)	✓	✓	X
<b>Vokai</b> 60–105 g/m <sup>2</sup> (16–28 sv.)	✓	✓	X

## Lexmark CS331, CX331, C3224, C3326, MC3224, MC3326 spausdintuvai ir MFP



Toliau pateiktose lentelėse pateikiama informacija apie standartinius ir papildomus popieriaus šaltinius bei jiems tinkamus popieriaus formatus, rūšis ir svorius.

**Pastaba:** Jei sąrašė nėra pageidaujamo popieriaus formato, pasirinkite arčiausiai sąrašė esantį *didesnį* formatą.

## Supported paper sizes

Paper size	250-sheet tray	Manual feeder	Two-sided printing	ADF	Scanner glass
<b>A4</b> 210 x 297 mm (8.27 x 11.7 in.)	✓	✓	✓	✓	✓
<b>A5<sup>1</sup></b> 148 x 210 mm (5.83 x 8.27 in.)	✓	✓	X	✓	✓
<b>A6</b> 105 x 148 mm (4.13 x 5.83 in.)	✓	✓	X	✓	✓
<b>JIS B5</b> 182 x 257 mm (7.17 x 10.1 in.)	✓	✓	X	✓	✓
<b>Oficio (Mexico)</b> 215.9 x 340.4 mm (8.5 x 13.4 in.)	✓	✓	✓	✓	X
<b>Hagaki</b> 100 x 148 mm (3.94 x 5.83 in.)	✓	✓	X	X	✓
<b>Statement</b> 139.7 x 215.9 mm (5.5 x 8.5 in.)	✓	✓	X	✓	✓
<b>Executive</b> 184.2 x 266.7 mm (7.25 x 10.5 in.)	✓	✓	X	✓	✓
<b>Letter</b> 215.9 x 279.4 mm (8.5 x 11 in.)	✓	✓	✓	✓	✓
<b>Legal</b> 215.9 x 355.6 mm (8.5 x 14 in.)	✓	✓	✓	✓	X
<b>Folio</b> 215.9 x 330.2 mm (8.5 x 13 in.)	✓	✓	✓	✓	X
<b>Universal<sup>3,4</sup></b> 98.4 x 148 mm (3.86 x 5.83 in.) to 215.9 x 355.6 mm (8.5 x 14 in.)	✓	✓	✓	✓	✓ <sup>2</sup>
<b>Universal<sup>3,4</sup></b> 25.4 x 25.4 mm (1 x 1 in.) to 215.9 x 297 mm (8.5 x 11.69 in.)	X	X	X	X	✓

<sup>1</sup> The default support is long-edge feed. When running on short-edge feed, A5 is treated as narrow paper.

<sup>2</sup> This paper source supports paper size only up to 216 x 297 mm (8.5 x 11.7 in.).

<sup>3</sup> When Universal is selected, the page is formatted for 215.90 x 355.60 mm (8.5 x 14 in.) unless specified by the software application.

<sup>4</sup> Load narrow paper with the short edge entering the printer first.

<sup>5</sup> Print only up to five envelopes at a time.

Paper size	250-sheet tray	Manual feeder	Two-sided printing	ADF	Scanner glass
<b>Universal</b> <sup>3,4</sup> 105 x 148 mm (4.13 x 5.83 in.) to 215.9 x 355.6 mm (8.5 x 14 in.)	X	X	X	✓	X
<b>7 3/4 Envelope</b> 98.4 x 190.5 mm (3.875 x 7.5 in.)	✓ <sup>5</sup>	✓	X	X	✓
<b>9 Envelope</b> 98.4 x 225.4 mm (3.875 x 8.9 in.)	✓ <sup>5</sup>	✓	X	X	✓
<b>10 Envelope</b> 104.8 x 241.3 mm (4.12 x 9.5 in.)	✓ <sup>5</sup>	✓	X	X	✓
<b>DL Envelope</b> 110 x 220 mm (4.33 x 8.66 in.)	✓ <sup>5</sup>	✓	X	X	✓
<b>C5 Envelope</b> 162 x 229 mm (6.38 x 9.01 in.)	✓ <sup>5</sup>	✓	X	X	✓
<b>B5 Envelope</b> 176 x 250 mm (6.93 x 9.84 in.)	✓ <sup>5</sup>	✓	X	X	✓
<b>Other Envelope</b> <sup>3</sup> 98.4 x 162 mm (3.87 x 6.38 in.) to 176 x 250 mm (6.93 x 9.84 in.)	✓ <sup>5</sup>	✓	X	X	N/A

<sup>1</sup> The default support is long-edge feed. When running on short-edge feed, A5 is treated as narrow paper.

<sup>2</sup> This paper source supports paper size only up to 216 x 297 mm (8.5 x 11.7 in.).

<sup>3</sup> When Universal is selected, the page is formatted for 215.90 x 355.60 mm (8.5 x 14 in.) unless specified by the software application.

<sup>4</sup> Load narrow paper with the short edge entering the printer first.

<sup>5</sup> Print only up to five envelopes at a time.

## Palaikomos popieriaus rūšys

### Pastabos:

- Etiketės, vokai ir kartoninis popierius visada spausdinami mažesne sparta.
- Retkarčiais tinka naudoti etiketes, kurias reikia išbandyti dėl priimtimumo.
- ADT palaikomas tik paprastas popierius.

Popieriaus rūšis	250 lapų dėklas	Neautomatinis tiekimas	Abipusis spausdinimas
Paprastas popierius	✓	✓	✓
Kartoninis popierius	✓	✓	X
Etiketės	✓	✓	X
Vokai	✓	✓	X

## Palaikomi popieriaus svoriai

**Pastaba:** ADT palaikomas 52–90,3 g/m<sup>2</sup> (14–24 sv.) popierius.

Popieriaus rūšis ir svoris	250 lapų dėklas	Neautomatinis tiek tuvas	Abipusis spausdinimas
<b>Lengvas popierius</b> 60–74,9 g/m <sup>2</sup> ilgo pluošto popierius (16–19,9 sv.)	✓	✓	✓
<b>Paprastas popierius</b> 75–90,3 g/m <sup>2</sup> ilgo pluošto popierius (20–24 sv.)	✓	✓	✓
<b>Sunkus popierius</b> 90,3–105 g/m <sup>2</sup> ilgo pluošto popierius (24,1–28 sv.)	✓	✓	✓
<b>Kartoninis popierius</b> 105,1–162 g/m <sup>2</sup> ilgo pluošto popierius (28,1–43 sv.)	✓	✓	X
<b>Kartoninis popierius</b> 105,1–200 g/m <sup>2</sup> ilgo pluošto popierius (28,1–53 sv.)	X	✓	X
<b>Popierinės etiketės</b> 131 g/m <sup>2</sup> (35 sv.)	✓	✓	X
<b>Vokai</b> 60–105 g/m <sup>2</sup> (16–28 sv.)	✓	✓	X

## Lexmark B2236 spausdintuvas ir MB2236 MFP



Toliau pateiktose lentelėse pateikiama informacija apie standartinius ir papildomus popieriaus šaltinius bei jiems tinkamus popieriaus formatus, rūšis ir svorius.

**Pastaba:** Jei sąrašė nėra pageidaujamo popieriaus formato, pasirinkite arčiausiai sąrašė esantį *didesnį* formatą.

## Supported paper sizes

### Pastabos:

- Paper less than 210 mm (8.3 in.) wide always prints at reduced speed.
- Use the manual feeder when printing on paper less than 105 mm (4.1 in.) wide.
- The minimum paper dimension supported for two-sided printing is 210 x 279.4 mm (8.3 x 11 in.).
- The maximum paper length supported by the scanner glass is 297 mm (11.7 in.).
- For two-sided printing on letter-, legal-, or folio-size paper, make sure that the paper size setting in the duplex unit is set to Letter.

Paper size	250-sheet tray	Manual feeder	Two-sided printing	Scanner glass	Automatic document feeder
<b>A4</b> 210 x 297 mm (8.27 x 11.7 in.)	✓	✓	✓	✓	✓
<b>A5 (short edge feed)</b> 148 x 210 mm (5.83 x 8.27 in.)	✓	✓	X	✓	✓
<b>A5 (long edge feed)</b> 210 x 148 mm (8.27 x 5.83 in.)	✓	✓	X	✓	✓
<b>A6</b> 105 x 148 mm (4.13 x 5.83 in.)	✓	✓	X	✓	✓
<b>JIS B5</b> 182 x 257 mm (7.17 x 10.1 in.)	✓	✓	X	✓	✓
<b>Oficio (Mexico)</b> 215.9 x 340.4 mm (8.5 x 13.4 in.)	✓	✓	X	X	✓
<b>Hagaki</b> 100 x 148 mm (3.94 x 5.83 in.)	X	✓	X	✓	X
<b>Statement</b> 139.7 x 215.9 mm (5.5 x 8.5 in.)	✓	✓	X	✓	✓
<b>Executive</b> 184.2 x 266.7 mm (7.25 x 10.5 in.)	✓	✓	X	✓	✓
<b>Letter</b> 215.9 x 279.4 mm (8.5 x 11 in.)	✓	✓	✓	✓	✓
<b>Legal</b> 215.9 x 355.6 mm (8.5 x 14 in.)	✓	✓	✓	X	✓
<b>Folio</b> 215.9 x 330.2 mm (8.5 x 13 in.)	✓	✓	✓	X	✓
<b>Universal</b> 98 x 148 mm (3.9 x 5.8 in.) to 216 x 356 mm (8.5 x 14 in.)	X	✓	X	✓*	✓

\* This paper source supports paper size only up to 216 x 297 mm (8.5 x 11.7 in.).

Paper size	250-sheet tray	Manual feeder	Two-sided printing	Scanner glass	Automatic document feeder
<b>Universal</b> 105 x 148 mm (4.1 x 5.8 in.) to 216 x 356 mm (8.5 x 14 in.)	✓	✓	X	✓*	✓
<b>7 3/4 Envelope (Monarch)</b> 98.4 x 190.5 mm (3.875 x 7.5 in.)	X	✓	X	✓	X
<b>9 Envelope</b> 98.4 x 225.4 mm (3.875 x 8.9 in.)	X	✓	X	✓	X
<b>10 Envelope</b> 104.8 x 241.3 mm (4.12 x 9.5 in.)	X	✓	X	✓	X
<b>DL Envelope</b> 110 x 220 mm (4.33 x 8.66 in.)	X	✓	X	✓	X
<b>C5 Envelope</b> 162 x 229 mm (6.38 x 9.01 in.)	X	✓	X	✓	X
<b>B5 Envelope</b> 176 x 250 mm (6.93 x 9.84 in.)	X	✓	X	✓	X
<b>Universal Envelope</b> 98.4 x 162 mm (3.87 x 6.38 in.) to 176 x 250 mm (6.93 x 9.84 in.)	X	✓	X	✓	X

\* This paper source supports paper size only up to 216 x 297 mm (8.5 x 11.7 in.).

## Palaikomos popieriaus rūšys

**Pastaba:** Etiketės, vokai ir kartoninis popierius visada spausdinami mažesne sparta.

Popieriaus rūšis	250 lapų dėklas	Neautomatinis tiek tuvas	Abipusis spausdinimas	Automatinis dokumentų tiek tuvas
Paprastas popierius	✓	✓	✓	✓
Kartoninis popierius („Card stock“)	X	✓	X	X
Etiketės („Labels“)	X	✓	X	X
Standus popierius („Bond“)	✓	✓	✓	✓
Vokai („Envelope“)	X	✓	X	X
Firminiai blankai („Letterhead“)	✓	✓	✓	✓
Iš anksto paruoštos formos („Preprinted“)	✓	✓	✓	✓
Spalvotas popierius („Colored“)	✓	✓	✓	✓

Popieriaus rūšis	250 lapų dėklas	Neautomatinis tiekuvvas	Abipusis spausdinimas	Automatinis dokumentų tiekuvvas
Lengvas popierius („Light“)	✓	✓	✓	✓
Sunkus popierius („Heavy“)	✓	✓	✓	✓
Perdirbtas popierius („Recycled“)	✓	✓	✓	✓

### Palaikomi popieriaus svoriai

250 lapų dėklas	Neautomatinis tiekuvvas	Abipusis spausdinimas	Automatinis dokumentų tiekuvvas
60–105 g/m <sup>2</sup> (16–28 sv. standumo)	60–200 g/m <sup>2</sup> (16–54 sv. standumo)	70–105 g/m <sup>2</sup> (18,7–28 sv. standumo)	60–105 g/m <sup>2</sup> (16–28 sv. standumo)

**„Lexmark“ spausdintuvai ir daugiaviečiai spausdintuvai C2240, C2325, C2425, C2535, CS421, CS521, CS622, CX421, CX522, CX622, CX625, MC2325, MC2425, MC2535, MC2640, XC2235, XC4240.**



Toliau pateiktose lentelėse pateikiama informacija apie standartinius ir papildomus popieriaus šaltinius bei jiems tinkamus popieriaus formatus, rūšis ir svorius.

**Pastaba:** Jei sąrašė nėra pageidaujamo popieriaus formato, pasirinkite arčiausiai sąrašė esantį *didesnį* formatą.

## Palaikomi popieriaus formatai

**Pastaba:** Jūsų spausdintuvo modelyje gali būti 650 lapų dvigubas dėklas, kurį sudaro 550 lapų dėklas ir integruotas 100 lapų daugiafunkcis tiektuvas. 650 lapų dvigubo dėklo 550 lapų dėkle palaikomas tų pačių formatų popierius kaip ir papildomame 550 lapų dėkle. Integruotame daugiafunkciame tiektyve palaikomas įvairaus formato, rūšies ir svorio popierius.

Popieriaus formatas ir matmenys	Standartinis 250 lapų dėklas	Neautomatinis tiektuvas	Papildomas 650 lapų dvigubas dėklas		Papildomas 550 lapų dėklas	Abipusis spausdinimas
			550 lapų dėklas	Daugiafunkcis tiektuvas		
<b>A4</b> 210 x 297 mm (8,27 x 11,7 col.)	✓	✓	✓	✓	✓	✓
<b>A5<sup>1,2</sup></b> 148 x 210 mm (5,83 x 8,27 col.)	✓	✓	✓	✓	✓	✗
<b>A6</b> 105 x 148 mm (4,13 x 5,83 col.)	✓	✓	✗	✓	✗	✗
<b>JIS B5</b> 182 x 257 mm (7,17 x 10,1 col.)	✓	✓	✓	✓	✓	✗
<b>„Letter“</b> 215,9 x 279,4 mm (8,5 x 11 col.)	✓	✓	✓	✓	✓	✓
<b>„Legal“</b> 215,9 x 355,6 mm (8,5 x 14 col.)	✓	✓	✓	✓	✓	✓
<b>„Executive“</b> 184,2 x 266,7 mm (7,25 x 10,5 col.)	✓	✓	✓	✓	✓	✗
<b>„Oficio (Mexico)“</b> 215,9 x 340,4 mm (8,5 x 13,4 col.)	✓	✓	✓	✓	✓	✓
<b>„Folio“</b> 215,9 x 330,2 mm (8,5 x 13 col.)	✓	✓	✓	✓	✓	✓

<sup>1</sup> Šio formato popierių dėkite į 1 dėklą ir neautomatinį tiektuvą, į spausdintuvą kišdami ilguoju kraštu.

<sup>2</sup> Šio formato popierių dėkite į 2 dėklą, 3 dėklą ir daugiafunkcij tiektuvą, į spausdintuvą kišdami trumpuoju kraštu.

<sup>3</sup> Pasirinkus universalų formatą suformatuojamas 215,9 x 355,6 mm (8,5 x 14 col.) puslapis, išskyrus atvejus, kai formatą nurodo programinės įrangos programa.

<sup>4</sup> Siaurą popierių į spausdintuvą dėkite trumpuoju kraštu.

<sup>5</sup> Pasirinkus nustatymą „Kiti vokai“ suformatuojamas 215,9 x 355,6 mm (8,5 x 14 col.) puslapis, išskyrus atvejus, kai formatą nurodo programinės įrangos programa.



Popieriaus formatas ir matmenys	Standartinis 250 lapų dėklas	Neautomatinis tiekimas	Papildomas 650 lapų dvigubas dėklas		Papildomas 550 lapų dėklas	Abipusis spausdinimas
			550 lapų dėklas	Daugiafunkcis tiekimas		
<b>„Statement“</b> 139,7 x 215,9 mm (5,5 x 8,5 col.)	✓	✓	X	✓	X	X
<b>„Hagaki“</b> 100 x 148 mm (3,94 x 5,83 col.)	✓	✓	X	✓	X	X
<b>Universalus<sup>3,4</sup></b> Nuo 98,4 x 148 mm iki 215,9 x 355,6 mm (nuo 3,87 x 5,83 col. iki 8,5 x 14 col.)	✓	✓	X	✓	X	X
<b>Universalus<sup>3,4</sup></b> Nuo 76,2 x 127 mm iki 215,9 x 355,6 mm (nuo 3 x 5 col. iki 8,5 x 14 col.)	X	✓	X	✓	X	X
<b>Universalus<sup>3,4</sup></b> Nuo 148 x 210 mm iki 215,9 x 355,6 mm (nuo 5,83 x 8,27 col. iki 8,5 x 14 col.)	✓	✓	✓	✓	✓	X
<b>Universalus<sup>3,4</sup></b> Nuo 210 x 250 mm iki 215,9 x 355,6 mm (nuo 8,27 x 9,84 col. iki 8,5 x 14 col.)	✓	✓	✓	✓	✓	✓
<b>„7 3/4 Envelope“</b> 98,4 x 190,5 mm (3,875 x 7,5 col.)	✓	✓	X	✓	X	X
<b>„9 Envelope“</b> 98,4 x 225,4 mm (3,875 x 8,9 col.)	✓	✓	X	✓	X	X
<b>„10 Envelope“</b> 104,8 x 241,3 mm (4,12 x 9,5 col.)	✓	✓	X	✓	X	X

<sup>1</sup> Šio formato popierių dėkite į 1 dėklą ir neautomatinį tiekumą, į spausdintuvą kišdami ilgoju kraštu.

<sup>2</sup> Šio formato popierių dėkite į 2 dėklą, 3 dėklą ir daugiafunkcijį tiekumą, į spausdintuvą kišdami trumpuoju kraštu.

<sup>3</sup> Pasirinkus universalų formatą suformatuojamas 215,9 x 355,6 mm (8,5 x 14 col.) puslapis, išskyrus atvejus, kai formatą nurodo programinės įrangos programa.

<sup>4</sup> Siaurą popierių į spausdintuvą dėkite trumpuoju kraštu.

<sup>5</sup> Pasirinkus nustatymą „Kiti vokai“ suformatuojamas 215,9 x 355,6 mm (8,5 x 14 col.) puslapis, išskyrus atvejus, kai formatą nurodo programinės įrangos programa.

Popieriaus formatas ir matmenys	Standartinis 250 lapų dėklas	Neautomatinis tiek tuvas	Papildomas 650 lapų dvigubas dėklas		Papildomas 550 lapų dėklas	Abipusis spausdinimas
			550 lapų dėklas	Daugiafunkcis tiek tuvas		
„DL Envelope“ 110 x 220 mm (4,33 x 8,66 col.)	✓	✓	X	✓	X	X
„C5 Envelope“ 162 x 229 mm (6,38 x 9,01 col.)	✓	✓	X	✓	X	X
„B5 Envelope“ 176 x 250 mm (6,93 x 9,84 col.)	✓	✓	X	✓	X	X
„Monarch“ 98,425 x 190,5 mm (3,875 x 7,5 col.)	✓	✓	X	✓	X	X
Kiti vokai <sup>5</sup> Nuo 98,4 x 162 mm iki 176 x 250 mm (nuo 3,87 x 6,38 col. iki 6,93 x 9,84 col.)	✓	✓	X	✓	X	X
<p><sup>1</sup> Šio formato popierių dėkite į 1 dėklą ir neautomatinį tiek tuvą, į spausdintuvą kišdami ilgoju kraštu.</p> <p><sup>2</sup> Šio formato popierių dėkite į 2 dėklą, 3 dėklą ir daugiafunkcį tiek tuvą, į spausdintuvą kišdami trumpuoju kraštu.</p> <p><sup>3</sup> Pasirinkus universalų formatą suformatuojamas 215,9 x 355,6 mm (8,5 x 14 col.) puslapis, išskyrus atvejus, kai formatą nurodo programinės įrangos programa.</p> <p><sup>4</sup> Siaurą popierių į spausdintuvą dėkite trumpuoju kraštu.</p> <p><sup>5</sup> Pasirinkus nustatymą „Kiti vokai“ suformatuojamas 215,9 x 355,6 mm (8,5 x 14 col.) puslapis, išskyrus atvejus, kai formatą nurodo programinės įrangos programa.</p>						

## Supported paper types

### Pastabos:

- Your printer model may have a 650-sheet duo tray, which consists of a 550-sheet tray and an integrated 100-sheet multipurpose feeder. The 550-sheet tray of the 650-sheet duo tray supports the same paper type as the 550-sheet tray. The integrated multipurpose feeder supports different paper sizes, types, and weights.
- Labels, envelopes, and card stock always print at 25 pages per minute.
- The ADF supports only plain paper.

Paper type	Standard 250-sheet tray	Manual feeder	Optional 650-sheet duo tray		Optional 550-sheet tray	Two-sided printing
			550-sheet tray	Multipurpose feeder		
Plain paper	✓	✓	✓	✓	✓	✓
Card stock	✓	✓	✓	✓	✓	X

Paper type	Standard 250-sheet tray	Manual feeder	Optional 650-sheet duo tray		Optional 550-sheet tray	Two-sided printing
			550-sheet tray	Multipurpose feeder		
Envelopes	✓	✓	X	✓	X	X
Paper labels	✓	✓	✓	✓	✓	✓
Vinyl labels	✓	✓	✓	✓	✓	X

## Palaikomi popieriaus svoriai

### Pastabos:

- Jūsų spausdintuvo modelyje gali būti 650 lapų dvigubas dėklas, kurį sudaro 550 lapų dėklas ir integruotas 100 lapų daigfunkcis tiektuvas. 650 lapų dvigubo dėklo 550 lapų dėkle palaikomas tos pačios popieriaus rūšys kaip ir 550 lapų dėkle. Integruotame daigfunkciame tiekтуve palaikomas įvairaus formato, rūšies ir svorio popierius.
- Etiketės, vokai ir kartoninis popierius visada spausdinami 25 puslapių per minutę sparta.
- ADT palaikomas 52–120 g/m<sup>2</sup> (14–32 sv. standumo) popierius.

Popieriaus rūšis ir svoris	Standartinis 250 lapų dėklas	Neautomatinis tiekтуvas	Papildomas 650 lapų dvigubas dėklas		Papildomas 550 lapų dėklas	Abipusis spausdinimas
			550 lapų dėklas	Daigfunkcis tiekтуvas		
<b>Lengvas popierius<sup>1</sup></b> 60–74,9 g/m <sup>2</sup> ilgo pluošto popierius (16–19,9 sv. standumo)	✓	✓	✓	✓	✓	✓
<b>Paprastas popierius</b> 75–90,3 g/m <sup>2</sup> ilgo pluošto popierius (20–24 sv. standumo)	✓	✓	✓	✓	✓	✓
<b>Sunkus popierius</b> 90,3–105 g/m <sup>2</sup> ilgo pluošto popierius (24,1–28 sv. standumo)	✓	✓	✓	✓	✓	✓

<sup>1</sup> Ant popieriaus, kurio storis mažesnis nei 75 g/m<sup>2</sup> (20 sv.), turi būti spausdinama popieriaus rūšį nustačius į „Lengvas popierius“. To nepadarius, popierius gali per daug užsiriesti ir dėl to atsirasti tiekimo klaidų, ypač esant drėgnesnei aplinkai.

<sup>2</sup> Retkarčiais tinka naudoti etiketes ir kitas specialiąsias laikmenas, kurias reikia išbandyti dėl priimtumo.

<sup>3</sup> Tinka naudoti popieriaus etiketes iki 105 g/m<sup>2</sup> (28 sv. standumo) svorio.

<sup>4</sup> Maksimalus 100 % medvilnės sudėties laikmenos svoris – 24 sv. standumo.

<sup>5</sup> 28 sv. standumo vokuose gali būti ne daugiau kaip 25 % medvilnės.

Popieriaus rūšis ir svoris	Standartinis 250 lapų dėklas	Neautomatinis tiekuvvas	Papildomas 650 lapų dvigubas dėklas		Papildomas 550 lapų dėklas	Abipusis spausdinimas
			550 lapų dėklas	Daugiafunkcis tiekuvvas		
<b>Kartoninis popierius</b> 105,1–162 g/m <sup>2</sup> ilgo pluošto popierius (28,1–43 sv. standumo)	✓	✓	✓	✓	✓	X
<b>Kartoninis popierius</b> 105,1–200 g/m <sup>2</sup> ilgo pluošto popierius (28,1–53 sv. standumo)	✓	✓	X	X	X	X
<b>Popierinės etiketės<sup>2</sup></b> 131 g/m <sup>2</sup> (35 sv. standumo)	✓	✓	✓	✓	✓	✓ <sup>3</sup>
<b>Vinilinės etiketės<sup>2</sup></b> 131 g/m <sup>2</sup> (35 sv. standumo)	✓	✓	✓	✓	✓	X
<b>Vokai<sup>4,5</sup></b> 60–105 g/m <sup>2</sup> (16–28 sv. standumo)	✓	✓	X	✓	X	X

<sup>1</sup> Ant popieriaus, kurio storis mažesnis nei 75 g/m<sup>2</sup> (20 sv.), turi būti spausdinama popieriaus rūšį nustačius į „Lengvas popierius“. To nepadarius, popierius gali per daug užsiriesti ir dėl to atsirasti tiekimo klaidų, ypač esant drėgnesnei aplinkai.

<sup>2</sup> Retkarčiais tinka naudoti etiketes ir kitas specialiąsias laikmenas, kurias reikia išbandyti dėl priimtimumo.

<sup>3</sup> Tinka naudoti popieriaus etiketes iki 105 g/m<sup>2</sup> (28 sv. standumo) svorio.

<sup>4</sup> Maksimalus 100 % medvilnės sudėties laikmenos svoris – 24 sv. standumo.

<sup>5</sup> 28 sv. standumo vokuose gali būti ne daugiau kaip 25 % medvilnės.

## Lexmark MS725 spausdintuvas ir MX725 MFP



Toliau pateiktose lentelėse pateikiama informacija apie standartinius ir papildomus popieriaus šaltinius bei jiems tinkamus popieriaus formatus, rūšis ir svorius.

**Pastaba:** Jei sąrašė nėra pageidaujamo popieriaus formato, pasirinkite arčiausiai sąrašė esantį *didesnį* formatą.

## Supported paper sizes

### Paper sizes supported by the printer

Paper size	Standard 550-sheet tray, optional 250- or 550-sheet tray	Optional 2100-sheet tray	Multipurpose feeder	Two-sided printing
<b>A4</b> 210 x 297 mm (8.3 x 11.7 in.)	✓	✓	✓	✓
<b>A5 LEF*</b> 210 x 148 mm (8.3 x 5.8 in.)	✓	✓	✓	✓
<b>A5 SEF*</b> 148 x 210 mm (5.8 x 8.3 in.)	✓	X	✓	X
<b>A6</b> 105 x 148 mm (4.1 x 5.8 in.)	✓	X	✓	✓
<b>JIS B5</b> 182 x 257 mm (7.2 x 10.1 in.)	✓	X	✓	✓
<b>Oficio (Mexico)</b> 216 x 340 mm (8.5 x 13.4 in.)	✓	✓	✓	✓
<b>Statement</b> 140 x 216 mm (5.5 x 8.5 in.)	✓	X	✓	✓
<b>Executive</b> 184 x 267 mm (7.3 x 10.5 in.)	✓	X	✓	✓

\* A5 long edge feed (LEF) is recommended over A5 short edge feed (SEF).

Paper size	Standard 550-sheet tray, optional 250- or 550-sheet tray	Optional 2100-sheet tray	Multipurpose feeder	Two-sided printing
<b>Letter</b> 216 x 279 mm (8.5 x 11 in.)	✓	✓	✓	✓
<b>Legal</b> 216 x 356 mm (8.5 x 14 in.)	✓	✓	✓	✓
<b>Folio</b> 216 x 330 mm (8.5 x 13 in.)	✓	✓	✓	✓
<b>Universal</b> 105 x 148 mm (4.1 x 5.8 in.) to 216 x 356 mm (8.5 x 14 in.)	✓	X	✓	✓

\* A5 long edge feed (LEF) is recommended over A5 short edge feed (SEF).

### Paper sizes supported by the output options or finishers

**Pastaba:** The output options and finishers are supported only in the Lexmark MS725 printer model.

Paper size	Output expander or high-capacity output expander	4-bin mailbox	Staple finisher		Staple, hole punch finisher		
			Stack	Staple	Stack	Staple	Hole punch
<b>A4</b> 210 x 297 mm (8.3 x 11.7 in.)	✓	✓	✓	✓	✓	✓	✓
<b>A5 LEF</b> 210 x 148 mm (8.3 x 5.8 in.)	✓	✓	✓	✓	✓	✓	X
<b>A5 SEF</b> 148 x 210 mm (5.8 x 8.3 in.)	✓	✓	✓	X	✓	X	X
<b>A6</b> 105 x 148 mm (4.1 x 5.8 in.)	✓	✓	X	X	X	X	X
<b>JIS B5</b> 182 x 257 mm (7.2 x 10.1 in.)	✓	✓	✓	X	✓	X	X
<b>Oficio (Mexico)</b> 216 x 340 mm (8.5 x 13.4 in.)	✓	✓	✓	✓	✓	✓	✓
<b>Statement</b> 140 x 216 mm (5.5 x 8.5 in.)	✓	✓	X	X	X	X	X
<b>Executive</b> 184 x 267 mm (7.3 x 10.5 in.)	✓	✓	✓	X	✓	X	X
<b>Letter</b> 216 x 279 mm (8.5 x 11 in.)	✓	✓	✓	✓	✓	✓	✓
<b>Legal</b> 216 x 356 mm (8.5 x 14 in.)	✓	✓	✓	✓	✓	✓	X

Paper size	Output expander or high-capacity output expander	4-bin mailbox	Staple finisher		Staple, hole punch finisher		
			Stack	Staple	Stack	Staple	Hole punch
<b>Folio</b> 216 x 330 mm (8.5 x 13 in.)	✓	✓	✓	✓	✓	✓	✓
<b>Universal</b> 105 x 148 mm (4.1 x 5.8 in.) to 216 x 356 mm (8.5 x 14 in.)	✓	✓	x	x	x	x	x

## Supported paper types

### Paper types supported by the printer

Paper type	Standard 550-sheet tray, optional 250- or 550-sheet tray	Optional 2100-sheet tray	Multipurpose feeder	Two-sided printing
Plain paper	✓	✓	✓	✓
Card stock	✓	x	✓	✓
Transparency*	✓	x	✓	x
Labels	✓	x	✓	x
Vinyl Labels	✓	x	✓	x
Bond	✓	✓	✓	✓
Letterhead	✓	✓	✓	✓
Preprinted	✓	✓	✓	✓
Colored Paper	✓	x	✓	✓
Light	✓	x	✓	✓
Heavy	✓	x	✓	✓
Rough/Cotton	✓	x	✓	✓
Custom Type [x]	✓	x	✓	✓

\* To prevent transparencies from sticking together, print up to 20 pages only. Print the succeeding pages after three minutes.

### Paper types supported by the output options or finishers

**Pastaba:** The output options and finishers are supported only in the Lexmark MS725 printer model.

Paper type	Output expander or high-capacity output expander	4-bin mailbox	Staple finisher		Staple, hole punch finisher		
			Stack	Staple	Stack	Staple	Hole punch
Plain paper	✓	✓	✓	✓	✓	✓	✓
Card stock	✓	X	X	X	X	X	X
Transparencies	✓	X	✓	X	✓	X	X
Labels	✓	X	X	X	X	X	X
Vinyl Labels	✓	X	X	X	X	X	X
Bond	✓	✓	✓	✓	✓	✓	✓
Letterhead	✓	✓	✓	✓	✓	✓	✓
Preprinted	✓	✓	✓	✓	✓	✓	✓
Colored Paper	✓	X	X	X	X	X	X
Light	✓	X	X	X	X	X	X
Heavy	✓	X	X	X	X	X	X
Rough/Cotton	✓	X	X	X	X	X	X
Custom Type [x]	✓	X	X	X	X	X	X

## Supported paper weights

### Paper weights supported by the printer

Paper type and weight	Standard 550-sheet tray, optional 250- or 550-sheet tray	Optional 2100-sheet tray	Multipurpose feeder	Two-sided printing
<b>Plain paper or Bond<sup>1</sup></b> 60–176 g/m <sup>2</sup> grain long (16–47-lb bond)	✓	✓	✓	✓
<b>Transparency</b> 138–146 g/m <sup>2</sup> grain long (37–39-lb bond)	✓	X	✓	X

<sup>1</sup> Grain short is preferred for paper over 176 g/m<sup>2</sup> (47 lb).

<sup>2</sup> Pressure-sensitive area must enter the printer first.

<sup>3</sup> 28-lb bond envelopes are limited to 25% cotton content.



Paper type and weight	Standard 550-sheet tray, optional 250- or 550-sheet tray	Optional 2100-sheet tray	Multipurpose feeder	Two-sided printing
<b>Integrated forms<sup>2</sup></b> 140–175 g/m <sup>2</sup> (37–47-lb bond)	✓	X	✓	✓
<b>Integrated forms</b> 75–135 g/m <sup>2</sup> (20–36-lb bond)	✓	X	✓	✓

<sup>1</sup> Grain short is preferred for paper over 176 g/m<sup>2</sup> (47 lb).  
<sup>2</sup> Pressure-sensitive area must enter the printer first.  
<sup>3</sup> 28-lb bond envelopes are limited to 25% cotton content.

### Paper weights supported by the output options or finishers

**Pastaba:** The output options and finishers are supported only in the Lexmark MS725 printer model.

Paper type and weight	Output expander or high-capacity output expander	4-bin mailbox	Staple finisher		Staple, hole punch finisher		
			Stack	Staple	Stack	Staple	Hole punch
<b>Plain paper or Bond</b> 60–176 g/m <sup>2</sup> grain long (16–47-lb bond)	✓	X	✓	X	✓	X	X
<b>Plain paper or Bond</b> 60–90 g/m <sup>2</sup> grain long (16–24-lb bond)	✓	✓	✓	✓	✓	✓	✓
<b>Card stock</b> 203 g/m <sup>2</sup> grain long (125-lb bond)	✓	X	✓	X	✓	X	X
<b>Card stock</b> 199 g/m <sup>2</sup> grain long (110-lb bond)	✓	X	✓	X	✓	X	X
<b>Card stock</b> 176 g/m <sup>2</sup> grain long (65-lb bond)	✓	X	X	X	X	X	X
<b>Card stock</b> 163 g/m <sup>2</sup> grain long (90-lb bond)	✓	X	✓	X	✓	X	X
<b>Transparency</b> 138–146 g/m <sup>2</sup> grain long (37–39-lb bond)	✓	X	✓	X	✓	X	X
<b>Paper labels</b> 180 g/m <sup>2</sup> (48-lb bond)	✓	X	X	X	X	X	X
<b>Integrated forms</b> 140–175 g/m <sup>2</sup> (37–47-lb bond)	✓	X	X	X	X	X	X
<b>Integrated forms</b> 75–135 g/m <sup>2</sup> (20–36-lb bond)	✓	X	X	X	X	X	X

## Card stock and label guidelines

### Card stock and label weights support

The following media types are supported *only* in Lexmark MS725 and MX725 printer models.

- Vinyl and polyester labels
- Narrow media batch jobs

The following table lists the maximum weights supported by the trays and the multipurpose feeder.

Paper source	Card stock <sup>1</sup>			Labels			
	Index Bristol	Tag	Cover	Paper	Dual-web paper	Polyester	Vinyl
<b>Standard and optional 550-sheet trays</b>	199 g/m <sup>2</sup> (110 lb)	203 g/m <sup>2</sup> (125 lb)	176 g/m <sup>2</sup> (65 lb)	180 g/m <sup>2</sup>	180 g/m <sup>2</sup>	220 g/m <sup>2</sup>	300 g/m <sup>2</sup>
<b>Multipurpose feeder<sup>2</sup></b>	199 g/m <sup>2</sup> (110 lb)	203 g/m <sup>2</sup> (125 lb)	176 g/m <sup>2</sup> (65 lb)	180 g/m <sup>2</sup>	180 g/m <sup>2</sup>	220 g/m <sup>2</sup>	260 g/m <sup>2</sup>

<sup>1</sup> See „Grain orientation“ 16 puslapyje for specific recommendations.

<sup>2</sup> Due to label design characteristics, unacceptable feeding may be experienced from the multipurpose feeder.

<b>Labels</b>	Thickness	0.102–0.305 mm (0.004–0.012 in.)
	Smoothness	100–400 Sheffield*
* 150–250 Sheffield is optimal. Using media higher than 300 Sheffield could result in printing degradation.		

Labels are one of the most difficult print materials for laser printers. Use a special fuser cleaner for label applications to optimize feed reliability and prevent duplexing.

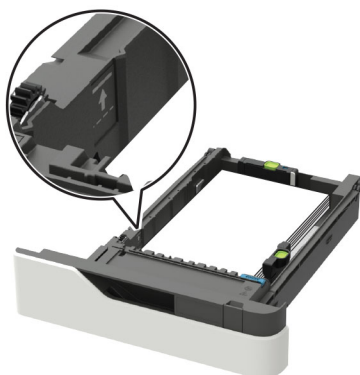
It is recommended that you install the fuser oil cleaner, P/N 40X8579, when you run labels. When you order a new cartridge, make sure that it includes the correct fuser wiper.

It is possible to duplex certain labels that have been specifically designed for this application. To duplex labels, consult the Lexmark converter lists to see which converters have successfully developed this type of label. You must install the wax wiper, P/N 40X8581. Cartridges designed for duplex label printing contain two wax wipers. Change the wax wiper at the halfway point of your normal cartridge usage to provide extra cleaning and optimize performance. Contact your supplies and label specialist for information on oil and wax vinyl label cartridges.

**Pastaba:** Wax wipers are not recommended when using vinyl labels.

### Tray fill line information

Depending on construction, labels and card stock can sometimes be difficult to pick and feed reliably. Performance can be improved by controlling the number of sheets of media loaded in the tray. There are two fill lines in the tray. The solid line is the maximum paper fill indicator. No media should be loaded in the tray above this line or paper jams could occur. The dashed line is the alternate paper fill indicator and should be used if any feed or reliability issues are noted with specialty media, including labels and card stock. If paper jams occur when completely filling the tray, load the specialty media only up to the alternate paper fill indicator.



For more information on the printer models and feeding different types of media, contact your Lexmark sales representative.

When printing on labels:

- From the control panel, set the paper size, type, texture, and weight in the Paper menu to match the labels loaded in the tray.
- Do *not* load labels together with paper or transparencies in the same tray. Combining print materials can cause feeding problems.
- Use full label sheets. Partial sheets may cause labels to peel off during printing, resulting in a paper jam. Adhesive material may contaminate your printer. It could also void your printer and cartridge warranties.

During printing, the number of labels per sheet can affect registration more than basis weight. Typically, the more labels per sheet, the better the registration.

When printing on card stock:

- From the control panel, set the paper size, type, texture, and weight in the Paper menu to match the card stock loaded in the tray.
- Do *not* use card stock that is creased. It may cause paper jams.

For more information, see the following:

- [„Pick roller technology“ 10 puslapyje](#)
- [„Grain orientation“ 16 puslapyje](#)
- [„Maintenance procedures“ 25 puslapyje](#)
- [„Troubleshooting“ 28 puslapyje](#)
- [„Primary rib pattern design guidelines for reference edge alignment“ 26 puslapyje](#)

**Lexmark B2865, M5255, M5270, MS821, MS822, MS823, MS825, MS826 spausdintuvai**



Toliau pateiktose lentelėse pateikiama informacija apie standartinius ir papildomus popieriaus šaltinius bei jiems tinkamus popieriaus formatus, rūšis ir svorius.

**Pastaba:** Jei sąrašė nėra pageidaujamo popieriaus formato, pasirinkite arčiausiai sąrašė esantį *didesnį* formatą.

## Supported paper sizes

### Paper sizes supported by the printer

Paper size	Standard 550-sheet tray, optional 250- or 550-sheet tray	Optional 2100-sheet tray	Multipurpose feeder	Two-sided printing
<b>A4</b> 210 x 297 mm (8.3 x 11.7 in.)	✓	✓	✓	✓
<b>A5 LEF<sup>1</sup></b> 210 x 148 mm (8.3 x 5.8 in.)	✓	✓	✓	✓
<b>A5 SEF<sup>1</sup></b> 148 x 210 mm (5.8 x 8.3 in.)	✓	✗	✓	✗
<b>A6</b> 105 x 148 mm (4.1 x 5.8 in.)	✓	✗	✓	✓
<b>JIS B5</b> 182 x 257 mm (7.2 x 10.1 in.)	✓	✗	✓	✓
<b>Oficio (Mexico)</b> 216 x 340 mm (8.5 x 13.4 in.)	✓	✓	✓	✓
<b>Statement</b> 140 x 216 mm (5.5 x 8.5 in.)	✓	✗	✓	✓
<b>Executive</b> 184 x 267 mm (7.3 x 10.5 in.)	✓	✗	✓	✓
<b>Letter</b> 216 x 279 mm (8.5 x 11 in.)	✓	✓	✓	✓

<sup>1</sup> A5 long edge feed (LEF) is recommended over A5 short edge feed (SEF).

<sup>2</sup> Envelopes wider than 101.6 mm (4.5 in.) may crease. This paper type must be tested for acceptability.

Paper size	Standard 550-sheet tray, optional 250- or 550-sheet tray	Optional 2100-sheet tray	Multipurpose feeder	Two-sided printing
<b>Legal</b> 216 x 356 mm (8.5 x 14 in.)	✓	✓	✓	✓
<b>Folio</b> 216 x 330 mm (8.5 x 13 in.)	✓	✓	✓	✓
<b>Universal</b> 76.2 x 127 mm to 216 x 356 mm (3 x 5 in. to 8.5 x 14 in.)	X	X	✓	X
<b>Universal</b> 105 x 148 mm (4.1 x 5.8 in.) to 216 x 356 mm (8.5 x 14 in.)	✓	X	✓	✓
<b>7 3/4 Envelope (Monarch)</b> 98 x 191 mm (3.9 x 7.5 in.)	✓	X	✓	X
<b>9 Envelope</b> 98 x 225 mm (3.9 x 8.9 in.)	✓	X	✓	X
<b>10 Envelope<sup>2</sup></b> 105 x 241 mm (4.1 x 9.5 in.)	✓	X	✓	X
<b>DL Envelope<sup>2</sup></b> 110 x 220 mm (4.3 x 8.7 in.)	✓	X	✓	X
<b>C5 Envelope<sup>2</sup></b> 162 x 229 mm (6.4 x 9 in.)	✓	X	✓	X
<b>B5 Envelope<sup>2</sup></b> 176 x 250 mm (6.9 x 9.8 in.)	✓	X	✓	X
<b>Other Envelope<sup>2</sup></b> 98.4 x 162 mm (3.9 x 6.4 in.) to 176 x 250 mm (6.9 x 9.8 in.)	✓	X	✓	X

<sup>1</sup> A5 long edge feed (LEF) is recommended over A5 short edge feed (SEF).

<sup>2</sup> Envelopes wider than 101.6 mm (4.5 in.) may crease. This paper type must be tested for acceptability.

**Paper sizes supported by the output options or finishers**

Paper size	Output expander, high-capacity output expander, or offset stacker	4-bin mailbox	Staple finisher		Staple, hole punch finisher		
			Stack	Staple	Stack	Staple	Hole punch
<b>A4</b> 210 x 297 mm (8.3 x 11.7 in.)	✓	✓	✓	✓	✓	✓	✓
<b>A5 LEF</b> 210 x 148 mm (8.3 x 5.8 in.)	✓	✓	✓	✓	✓	✓	X

Paper size	Output expander, high-capacity output expander, or offset stacker	4-bin mailbox	Staple finisher		Staple, hole punch finisher		
			Stack	Staple	Stack	Staple	Hole punch
<b>A5 SEF</b> 148 x 210 mm (5.8 x 8.3 in.)	✓	✓	✓	X	✓	X	X
<b>A6</b> 105 x 148 mm (4.1 x 5.8 in.)	✓	✓	X	X	X	X	X
<b>JIS B5</b> 182 x 257 mm (7.2 x 10.1 in.)	✓	✓	✓	X	✓	X	X
<b>Oficio (Mexico)</b> 216 x 340 mm (8.5 x 13.4 in.)	✓	✓	✓	✓	✓	✓	✓
<b>Statement</b> 140 x 216 mm (5.5 x 8.5 in.)	✓	✓	X	X	X	X	X
<b>Executive</b> 184 x 267 mm (7.3 x 10.5 in.)	✓	✓	✓	X	✓	X	X
<b>Letter</b> 216 x 279 mm (8.5 x 11 in.)	✓	✓	✓	✓	✓	✓	✓
<b>Legal</b> 216 x 356 mm (8.5 x 14 in.)	✓	✓	✓	✓	✓	✓	X
<b>Folio</b> 216 x 330 mm (8.5 x 13 in.)	✓	✓	✓	✓	✓	✓	✓
<b>Universal</b> 105 x 148 mm (4.1 x 5.8 in.) to 216 x 356 mm (8.5 x 14 in.)	✓	✓	X	X	X	X	X
<b>Universal</b> 76.2 x 127 mm to 216 x 356 mm (3 x 5 in. to 8.5 x 14 in.)	✓	X	X	X	X	X	X
<b>7 3/4 Envelope (Monarch)</b> 98 x 191 mm (3.9 x 7.5 in.)	✓	X	X	X	X	X	X
<b>9 Envelope</b> 98 x 225 mm (3.9 x 8.9 in.)	✓	X	X	X	X	X	X
<b>10 Envelope</b> 105 x 241 mm (4.1 x 9.5 in.)	✓	X	X	X	X	X	X
<b>DL Envelope</b> 110 x 220 mm (4.3 x 8.7 in.)	✓	X	X	X	X	X	X
<b>C5 Envelope</b> 162 x 229 mm (6.4 x 9 in.)	✓	X	X	X	X	X	X
<b>B5 Envelope</b> 176 x 250 mm (6.9 x 9.8 in.)	✓	X	X	X	X	X	X

Paper size	Output expander, high-capacity output expander, or offset stacker	4-bin mailbox	Staple finisher		Staple, hole punch finisher		
			Stack	Staple	Stack	Staple	Hole punch
<b>Other Envelopes</b> 98.4 x 162 mm (3.9 x 6.4 in.) to 176 x 250 mm (6.9 x 9.8 in.)	✓	X	X	X	X	X	X

## Supported paper types

### Paper types supported by the printer

Paper type	Standard 550-sheet tray, optional 250- or 550-sheet tray	Optional 2100-sheet tray	Multipurpose feeder	Two-sided printing
Plain paper	✓	✓	✓	✓
Card stock	✓	X	✓	✓
Transparency*	✓	X	✓	X
Labels	✓	X	✓	X
Bond	✓	✓	✓	✓
Envelope	✓	X	✓	X
Rough envelope	✓	X	✓	X
Letterhead	✓	✓	✓	✓
Preprinted	✓	✓	✓	✓
Colored paper	✓	X	✓	✓
Light	✓	X	✓	✓
Heavy	✓	X	✓	✓
Rough/Cotton	✓	X	✓	✓
Custom type [x]	✓	X	✓	✓

\* To prevent transparencies from sticking together, print up to 20 pages only. Print the succeeding pages after three minutes.

### Paper types supported by the output options or finishers

Paper type	Output expander or high-capacity output expander	4-bin mailbox	Staple finisher		Staple, hole punch finisher		
			Stack	Staple	Stack	Staple	Hole punch
Plain paper	✓	✓	✓	✓	✓	✓	✓
Card stock	✓	X	X	X	X	X	X
Transparencies	✓	X	✓	X	✓	X	X
Labels	✓	X	X	X	X	X	X
Bond	✓	✓	✓	✓	✓	✓	✓
Envelope	✓	X	X	X	X	X	X
Rough envelope	✓	X	X	X	X	X	X
Letterhead	✓	✓	✓	✓	✓	✓	✓
Preprinted	✓	✓	✓	✓	✓	✓	✓
Colored paper	✓	X	X	X	X	X	X
Light	✓	X	X	X	X	X	X
Heavy	✓	X	X	X	X	X	X
Rough/Cotton	✓	X	X	X	X	X	X
Custom type [x]	✓	X	X	X	X	X	X

### Supported paper weights

#### Paper weights supported by the printer

Paper type and weight	Standard 550-sheet tray, optional 250- or 550-sheet tray	Optional 2100-sheet tray	Multipurpose feeder	Two-sided printing
Plain paper or Bond <sup>1</sup> 60–176 g/m <sup>2</sup> grain long (16–47-lb bond)	✓	✓	✓	✓

<sup>1</sup> Grain short is preferred for paper over 176 g/m<sup>2</sup> (47 lb).

<sup>2</sup> Pressure-sensitive area must enter the printer first.

<sup>3</sup> 28-lb bond envelopes are limited to 25% cotton content.



Paper type and weight	Standard 550-sheet tray, optional 250- or 550-sheet tray	Optional 2100-sheet tray	Multipurpose feeder	Two-sided printing
<b>Transparency</b> 138–146 g/m <sup>2</sup> grain long (37–39-lb bond)	✓	X	✓	X
<b>Integrated forms<sup>2</sup></b> 140–175 g/m <sup>2</sup> (37–47-lb bond)	✓	X	✓	✓
<b>Integrated forms</b> 75–135 g/m <sup>2</sup> (20–36-lb bond)	✓	X	✓	✓
<b>Envelopes<sup>3</sup></b> 60–105 g/m <sup>2</sup> (16–28-lb bond)	✓	X	✓	✓

<sup>1</sup> Grain short is preferred for paper over 176 g/m<sup>2</sup> (47 lb).

<sup>2</sup> Pressure-sensitive area must enter the printer first.

<sup>3</sup> 28-lb bond envelopes are limited to 25% cotton content.

### Paper weights supported by the output options or finishers

Paper type and weight	Output expander or high-capacity output expander	4-bin mailbox	Staple finisher		Staple, hole punch finisher		
			Stack	Staple	Stack	Staple	Hole punch
<b>Plain paper or Bond</b> 60–176 g/m <sup>2</sup> grain long (16–47-lb bond)	✓	X	✓	X	✓	X	X
<b>Plain paper or Bond</b> 60–90 g/m <sup>2</sup> grain long (16–24-lb bond)	✓	✓	✓	✓	✓	✓	✓
<b>Card stock</b> 203 g/m <sup>2</sup> grain long (125-lb bond)	✓	X	✓	X	✓	X	X
<b>Card stock</b> 199 g/m <sup>2</sup> grain long (110-lb bond)	✓	X	✓	X	✓	X	X
<b>Card stock</b> 176 g/m <sup>2</sup> grain long (65-lb bond)	✓	X	X	X	X	X	X
<b>Card stock</b> 163 g/m <sup>2</sup> grain long (90-lb bond)	✓	X	✓	X	✓	X	X
<b>Transparency</b> 138–146 g/m <sup>2</sup> grain long (37–39-lb bond)	✓	X	✓	X	✓	X	X
<b>Paper labels</b> 180 g/m <sup>2</sup> (48-lb bond)	✓	X	X	X	X	X	X
<b>Integrated forms</b> 140–175 g/m <sup>2</sup> (37–47-lb bond)	✓	X	X	X	X	X	X

Paper type and weight	Output expander or high-capacity output expander	4-bin mailbox	Staple finisher		Staple, hole punch finisher		
			Stack	Staple	Stack	Staple	Hole punch
<b>Integrated forms</b> 75–135 g/m <sup>2</sup> (20–36-lb bond)	✓	X	X	X	X	X	X
<b>Envelopes</b> 60–105 g/m <sup>2</sup> (16–28-lb bond)	✓	X	X	X	X	X	X

## Card stock and label guidelines

### Card stock and label weights support

The following media types are *not* supported on this printer:

- **Vinyl and polyester labels**

Printing these labels can lead to print quality problems and printer damage. For applications where these labels are run, use the Lexmark MS725 or MX725 printer model.

- **Narrow media batch jobs**

When printing on paper less than 210 mm (8.3 inches) wide, the printer speed may decrease and throughput could substantially reduce. If you print large jobs on narrow paper regularly, use the Lexmark MS725 or MX725 printer model, which is designed to print batches of 10 or more pages of narrow paper at a faster speed. For more information, contact your Lexmark sales representative.

**Pastaba:** A5 default orientation is landscape, which is also called as LEF, and is not considered as narrow media.

The following table lists the maximum weights supported by the trays and the multipurpose feeder:

Paper source	Card stock <sup>1</sup>			Labels	
	Index Bristol	Tag	Cover	Paper	Dual-web paper
<b>Standard and optional 550-sheet trays</b>	199 g/m <sup>2</sup> (110 lb)	203 g/m <sup>2</sup> (125 lb)	176 g/m <sup>2</sup> (65 lb)	180 g/m <sup>2</sup>	180 g/m <sup>2</sup>
<b>Multipurpose feeder<sup>2</sup></b>	199 g/m <sup>2</sup> (110 lb)	203 g/m <sup>2</sup> (125 lb)	176 g/m <sup>2</sup> (65 lb)	180 g/m <sup>2</sup>	180 g/m <sup>2</sup>

<sup>1</sup> See „[Grain orientation](#)“ 16 puslapyje for specific recommendations.

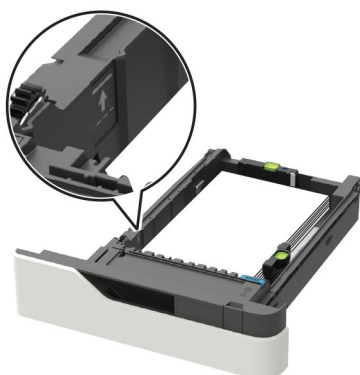
<sup>2</sup> Due to label design characteristics, unacceptable feeding may be experienced from the multipurpose feeder.

<b>Labels</b>	Thickness	0.102–0.305 mm (0.004–0.012 in.)
	Smoothness	100–400 Sheffield*

\* 150–250 Sheffield is optimal. Using media higher than 300 Sheffield could result in printing degradation.

## Tray fill line information

Depending on construction, paper labels and card stock can sometimes be difficult to pick and feed reliably. Performance can be improved by controlling the number of sheets of media loaded in the tray. There are two fill lines in the tray. The solid line is the maximum paper fill indicator. No media should be loaded in the tray above this line or paper jams could occur. The dashed line is the alternate paper fill indicator and should be used if any feed or reliability issues are noted with specialty media, including labels and card stock. If paper jams occur when completely filling the tray, load the specialty media only up to the alternate paper fill indicator.



For more information on the printer models and feeding different types of media, contact your Lexmark sales representative.

When printing on paper labels:

- From the control panel, set the paper size, type, texture, and weight in the Paper menu to match the labels loaded in the tray.
- Do *not* load labels together with paper or transparencies in the same paper tray. Combining print materials can cause feeding problems.
- Use full label sheets. Partial sheets may cause labels to peel off during printing, resulting in a paper jam. Adhesive material may contaminate your printer. It could also void your printer and cartridge warranties.

During printing, the number of labels per sheet can affect registration more than basis weight. Typically, the more labels per sheet, the better the registration.

When printing on card stock:

- From the control panel, set the paper size, type, texture, and weight in the Paper menu to match the card stock loaded in the tray.
- Do *not* use card stock that is creased. It may cause paper jams.

For more information, see the following:

- [„Pick roller technology“ 10 puslapyje](#)
- [„Grain orientation“ 16 puslapyje](#)
- [„Maintenance procedures“ 25 puslapyje](#)
- [„Troubleshooting“ 28 puslapyje](#)
- [„Primary rib pattern design guidelines for reference edge alignment“ 26 puslapyje](#)

## „Lexmark“ daugiafunkciai spausdintuvai MB2770, MX721, MX722, XM5365, XM5370



Toliau pateiktose lentelėse pateikiama informacija apie standartinius ir papildomus popieriaus šaltinius bei jiems tinkamus popieriaus formatus, rūšis ir svorius.

**Pastaba:** Jei sąrašė nėra pageidaujamo popieriaus formato, pasirinkite arčiausiai sąrašė esantį *didesnį* formatą.

### Supported paper sizes

Paper size	Standard 550-sheet tray, optional 250- or 550-sheet tray	Optional 2100-sheet tray	Multipurpose feeder	Two-sided printing
<b>A4</b> 210 x 297 mm (8.3 x 11.7 in.)	✓	✓	✓	✓
<b>A5 LEF<sup>1</sup></b> 210 x 148 mm (8.3 x 5.8 in.)	✓	✓	✓	✓
<b>A5 SEF</b> 148 x 210 mm (5.8 x 8.3 in.)	✓	X	✓	X
<b>A6</b> 105 x 148 mm (4.1 x 5.8 in.)	✓	X	✓	✓
<b>JIS B5</b> 182 x 257 mm (7.2 x 10.1 in.)	✓	X	✓	✓
<b>Oficio (Mexico)</b> 216 x 340 mm (8.5 x 13.4 in.)	✓	✓	✓	✓
<b>Statement</b> 140 x 216 mm (5.5 x 8.5 in.)	✓	X	✓	✓

<sup>1</sup> A5 long edge feed (LEF) is recommended over A5 short edge feed (SEF).

<sup>2</sup> Envelopes wider than 101.6 mm (4.5 in.) may crease. This paper type must be tested for acceptability.

Paper size	Standard 550-sheet tray, optional 250- or 550-sheet tray	Optional 2100-sheet tray	Multipurpose feeder	Two-sided printing
<b>Executive</b> 184 x 267 mm (7.3 x 10.5 in.)	✓	X	✓	✓
<b>Letter</b> 216 x 279 mm (8.5 x 11 in.)	✓	✓	✓	✓
<b>Legal</b> 216 x 356 mm (8.5 x 14 in.)	✓	✓	✓	✓
<b>Folio</b> 216 x 330 mm (8.5 x 13 in.)	✓	✓	✓	✓
<b>Universal</b> 105 x 148 mm (4.1 x 5.8 in.) to 216 x 356 mm (8.5 x 14 in.)	✓	X	✓	✓
<b>7 3/4 Envelope (Monarch)</b> 98 x 191 mm (3.9 x 7.5 in.)	✓	X	✓	X
<b>9 Envelope</b> 98 x 225 mm (3.9 x 8.9 in.)	✓	X	✓	X
<b>10 Envelope<sup>2</sup></b> 105 x 241 mm (4.1 x 9.5 in.)	✓	X	✓	X
<b>DL Envelope<sup>2</sup></b> 110 x 220 mm (4.3 x 8.7 in.)	✓	X	✓	X
<b>C5 Envelope<sup>2</sup></b> 162 x 229 mm (6.4 x 9 in.)	✓	X	✓	X
<b>B5 Envelope<sup>2</sup></b> 176 x 250 mm (6.9 x 9.8 in.)	✓	X	✓	X
<b>Other Envelope<sup>2</sup></b> 98.4 x 162 mm (3.9 x 6.4 in.) to 176 x 250 mm (6.9 x 9.8 in.)	✓	X	✓	X

<sup>1</sup> A5 long edge feed (LEF) is recommended over A5 short edge feed (SEF).

<sup>2</sup> Envelopes wider than 101.6 mm (4.5 in.) may crease. This paper type must be tested for acceptability.

## Supported paper types

Paper type	Standard 550-sheet tray, optional 250- or 550-sheet tray	Optional 2100-sheet tray	Multipurpose feeder	Two-sided printing
<b>Plain paper</b>	✓	✓	✓	✓
<b>Card stock</b>	✓	X	✓	✓

\* To prevent transparencies from sticking together, print up to 20 pages only. Print the succeeding pages after three minutes.

Paper type	Standard 550-sheet tray, optional 250- or 550-sheet tray	Optional 2100-sheet tray	Multipurpose feeder	Two-sided printing
Transparency*	✓	X	✓	X
Labels	✓	X	✓	X
Bond	✓	✓	✓	✓
Envelope	✓	X	✓	X
Rough envelope	✓	X	✓	X
Letterhead	✓	✓	✓	✓
Preprinted	✓	✓	✓	✓
Colored paper	✓	X	✓	✓
Light	✓	X	✓	✓
Heavy	✓	X	✓	✓
Rough/Cotton	✓	X	✓	✓
Custom type [x]	✓	X	✓	✓

\* To prevent transparencies from sticking together, print up to 20 pages only. Print the succeeding pages after three minutes.

## Palaikomi popieriaus svoriai

Popieriaus rūšis ir svoris	Standartinis 550 lapų dėklas, papildomas 250 arba 550 lapų dėklas	Papildomas 2100 lapų dėklas	Daugiafunkcis tiektuvas	Abipusis spausdinimas
<b>Paprastas arba standus popierius<sup>1</sup></b> 60–176 g/m <sup>2</sup> ilgo pluošto popierius (16–47 sv. standumo)	✓	✓	✓	✓
<b>Kartoninis popierius</b> 203 g/m <sup>2</sup> ilgo pluošto popierius (125 sv. standumo)	✓	X	✓	✓
<b>Kartoninis popierius</b> 199 g/m <sup>2</sup> ilgo pluošto popierius (110 sv. standumo)	✓	X	✓	✓

<sup>1</sup> Jei popieriaus tankis daugiau nei 176 g/m<sup>2</sup> (47 sv.), pageidaujama ilgo pluošto popierius.

<sup>2</sup> spausdintuvą pirmiausia reikia dėti spaudimui jautrią sritį.

<sup>3</sup> 28 sv. standumo vokuose gali būti ne daugiau kaip 25 % medvilnės.

Popieriaus rūšis ir svoris	Standartinis 550 lapų dėklas, papildomas 250 arba 550 lapų dėklas	Papildomas 2100 lapų dėklas	Daugiafunkcis tiek tuvas	Abipusis spausdinimas
<b>Kartoninis popierius</b> 176 g/m <sup>2</sup> ilgo pluošto popierius (65 sv. standumo)	✓	X	✓	✓
<b>Permatomos laikmenos</b> 138-146 g/m <sup>2</sup> ilgo pluošto popierius (37-39 sv. standumo)	✓	X	✓	X
<b>Popierinės etiketės</b> 180 g/m <sup>2</sup> (48 sv. standumo)	✓	X	✓	✓
<b>Integruotos formos<sup>2</sup></b> 140–175 g/m <sup>2</sup> (37–47 sv. standumo)	✓	X	✓	✓
<b>Integruotos formos</b> 75–135 g/m <sup>2</sup> (20–36 sv. standumo)	✓	X	✓	✓
<b>Vokai<sup>3</sup></b> 60–105 g/m <sup>2</sup> (16–28 sv. standumo)	✓	X	✓	✓

<sup>1</sup> Jei popieriaus tankis daugiau nei 176 g/m<sup>2</sup> (47 sv.), pageidaujama ilgo pluošto popierius.

<sup>2</sup> Į spausdintuvą pirmiausia reikia dėti spaudimui jautrią sritį.

<sup>3</sup> 28 sv. standumo vokuose gali būti ne daugiau kaip 25 % medvilnės.

## Card stock and label guidelines

### Card stock and label weights support

The following media types are not supported on this printer:

- **Vinyl and polyester labels**

Printing these labels can lead to print quality problems and printer damage. For applications where these labels are run, use the Lexmark MS725 or MX725 printer model.

- **Narrow media batch jobs**

When printing on paper less than 210 mm (8.3 inches) wide, the printer speed may decrease and throughput could substantially reduce. If you print large jobs on narrow paper regularly, use the Lexmark MS725 or MX725 printer model. This model is designed to print batches of 10 or more pages of narrow paper at a faster speed. For more information, contact your Lexmark sales representative.

**Pastaba:** A5 default orientation is landscape, which is also called as LEF, and is not considered as narrow media.

The following table lists the maximum weights supported by the trays and the multipurpose feeder:

Paper source	Card stock*			Labels	
	Index Bristol	Tag	Cover	Paper	Dual-web paper
<b>Standard and optional 550-sheet trays</b>	199 g/m <sup>2</sup> (110 lb)	203 g/m <sup>2</sup> (125 lb)	176 g/m <sup>2</sup> (65 lb)	180 g/m <sup>2</sup>	180 g/m <sup>2</sup>
<b>Multipurpose feeder<sup>2</sup></b>	199 g/m <sup>2</sup> (110 lb)	203 g/m <sup>2</sup> (125 lb)	176 g/m <sup>2</sup> (65 lb)	180 g/m <sup>2</sup>	180 g/m <sup>2</sup>

\* See „Grain orientation“ 16 puslapyje for specific recommendations.  
<sup>2</sup> Due to label design characteristics, unacceptable feeding may be experienced from the multipurpose feeder.

Labels	Thickness	0.102–0.305 mm (0.004–0.012 in.)
	Smoothness	100–400 Sheffield*

\* 150–250 Sheffield is optimal. Using media higher than 300 Sheffield could result in printing degradation.

**Tray fill line information**

Depending on construction, paper labels and card stock can sometimes be difficult to pick and feed reliably. Performance can be improved by controlling the number of sheets of media loaded in the tray. There are two fill lines in the tray. The solid line is the maximum paper fill indicator. No media should be loaded in the tray above this line or paper jams could occur. The dashed line is the alternate paper fill indicator. It should be used if any feed or reliability issues are noted with specialty media, including labels and card stock. If paper jams occur when completely filling the tray, load the specialty media only up to the alternate paper fill indicator.



For more information on the printer models and feeding different types of media, contact your Lexmark sales representative.

When printing on paper labels:

- From the control panel, set the paper size, type, texture, and weight in the Paper menu to match the labels loaded in the tray.
- Do not load labels together with paper or transparencies in the same paper tray. Combining print materials can cause feeding problems.
- Use full label sheets. Partial sheets may cause labels to peel off during printing, resulting in a paper jam. Adhesive material may contaminate your printer. It could also void your printer and cartridge warranties.

During printing, the number of labels per sheet can affect registration more than basis weight. Typically, the more labels per sheet, the better the registration.



When printing on card stock:

- From the control panel, set the paper size, type, texture, and weight in the Paper menu to match the card stock loaded in the tray.
- Do not use card stock that is creased. It may cause paper jams.

For more information, see the following:

- [„Pick roller technology“ 10 puslapyje](#)
- [„Grain orientation“ 16 puslapyje](#)
- [„Maintenance procedures“ 25 puslapyje](#)
- [„Troubleshooting“ 28 puslapyje](#)
- [„Primary rib pattern design guidelines for reference edge alignment“ 26 puslapyje](#)

## „Lexmark“ daugiafunkciai spausdintuvai MX822, MX826, XM7355, XM7370



Toliau pateiktose lentelėse pateikiama informacija apie standartinius ir papildomus popieriaus šaltinius bei jiems tinkamus popieriaus formatus, rūšis ir svorius.

**Pastaba:** Jei sąrašė nėra pageidaujamo popieriaus formato, pasirinkite arčiausiai sąrašė esantį *didesnį* formatą.

## Supported paper sizes

### Paper sizes supported by the printer

Paper size	Standard or optional 550-sheet tray	Optional 2100-sheet tray	Multipurpose feeder	Two-sided printing
<b>A4</b> 210 x 297 mm (8.3 x 11.7 in.)	✓	✓	✓	✓
<b>A5 LEF<sup>1</sup></b> 210 x 148 mm (8.3 x 5.8 in.)	✓	✓	✓	✓
<b>A5 SEF</b> 148 x 210 mm (5.8 x 8.3 in.)	✓	X	✓	X
<b>A6</b> 105 x 148 mm (4.1 x 5.8 in.)	✓	X	✓	✓
<b>JIS B5</b> 182 x 257 mm (7.2 x 10.1 in.)	✓	X	✓	✓
<b>Oficio (Mexico)</b> 216 x 340 mm (8.5 x 13.4 in.)	✓	✓	✓	✓
<b>Statement</b> 140 x 216 mm (5.5 x 8.5 in.)	✓	X	✓	✓
<b>Executive</b> 184 x 267 mm (7.3 x 10.5 in.)	✓	X	✓	✓
<b>Letter</b> 216 x 279 mm (8.5 x 11 in.)	✓	✓	✓	✓
<b>Legal</b> 216 x 356 mm (8.5 x 14 in.)	✓	✓	✓	✓
<b>Folio</b> 216 x 330 mm (8.5 x 13 in.)	✓	✓	✓	✓
<b>Universal</b> 105 x 148 mm (4.1 x 5.8 in.) to 216 x 356 mm (8.5 x 14 in.)	✓	X	✓	✓
<b>7 3/4 Envelope (Monarch)</b> 98 x 191 mm (3.9 x 7.5 in.)	✓	X	✓	X
<b>9 Envelope</b> 98 x 225 mm (3.9 x 8.9 in.)	✓	X	✓	X
<b>10 Envelope<sup>2</sup></b> 105 x 241 mm (4.1 x 9.5 in.)	✓	X	✓	X
<b>DL Envelope<sup>2</sup></b> 110 x 220 mm (4.3 x 8.7 in.)	✓	X	✓	X

<sup>1</sup> A5 long edge feed (LEF) is recommended over A5 short edge feed (SEF).

<sup>2</sup> Envelopes wider than 101.6 mm (4.5 in.) may crease. This paper type must be tested for acceptability.

Paper size	Standard or optional 550-sheet tray	Optional 2100-sheet tray	Multipurpose feeder	Two-sided printing
<b>C5 Envelope<sup>2</sup></b> 162 x 229 mm (6.4 x 9 in.)	✓	X	✓	X
<b>B5 Envelope<sup>2</sup></b> 176 x 250 mm (6.9 x 9.8 in.)	✓	X	✓	X
<b>Other Envelope<sup>2</sup></b> 98.4 x 162 mm (3.9 x 6.4 in.) to 176 x 250 mm (6.9 x 9.8 in.)	✓	X	✓	X

<sup>1</sup> A5 long edge feed (LEF) is recommended over A5 short edge feed (SEF).  
<sup>2</sup> Envelopes wider than 101.6 mm (4.5 in.) may crease. This paper type must be tested for acceptability.

### Paper sizes supported by the output options or finishers

Paper size	Offset stacker	4-bin mailbox	Staple finisher		Staple, hole punch finisher		
			Stack	Staple	Stack	Staple	Hole punch
<b>A4</b> 210 x 297 mm (8.3 x 11.7 in.)	✓	✓	✓	✓	✓	✓	✓
<b>A5 LEF</b> 210 x 148 mm (8.3 x 5.8 in.)	✓	✓	✓	✓	✓	✓	X
<b>A5 SEF</b> 148 x 210 mm (5.8 x 8.3 in.)	✓	✓	✓	X	✓	X	X
<b>A6</b> 105 x 148 mm (4.1 x 5.8 in.)	✓	✓	X	X	X	X	X
<b>JIS B5</b> 182 x 257 mm (7.2 x 10.1 in.)	✓	✓	✓	X	✓	X	X
<b>Oficio (Mexico)</b> 216 x 340 mm (8.5 x 13.4 in.)	✓	✓	✓	✓	✓	✓	✓
<b>Statement</b> 140 x 216 mm (5.5 x 8.5 in.)	✓	✓	✓	X	✓	X	X
<b>Executive</b> 184 x 267 mm (7.3 x 10.5 in.)	✓	✓	✓	X	✓	X	X
<b>Letter</b> 216 x 279 mm (8.5 x 11 in.)	✓	✓	✓	✓	✓	✓	✓
<b>Legal</b> 216 x 356 mm (8.5 x 14 in.)	✓	✓	✓	✓	✓	✓	X
<b>Folio</b> 216 x 330 mm (8.5 x 13 in.)	✓	✓	✓	✓	✓	✓	✓

Paper size	Offset stacker	4-bin mailbox	Staple finisher		Staple, hole punch finisher		
			Stack	Staple	Stack	Staple	Hole punch
<b>Universal</b> 105 x 148 mm (4.1 x 5.8 in.) to 216 x 356 mm (8.5 x 14 in.)	✓	✓	X	X	X	X	X
<b>7 3/4 Envelope (Monarch)</b> 98 x 191 mm (3.9 x 7.5 in.)	✓	X	X	X	X	X	X
<b>9 Envelope</b> 98 x 225 mm (3.9 x 8.9 in.)	✓	X	X	X	X	X	X
<b>10 Envelope</b> 105 x 241 mm (4.1 x 9.5 in.)	✓	X	X	X	X	X	X
<b>DL Envelope</b> 110 x 220 mm (4.3 x 8.7 in.)	✓	X	X	X	X	X	X
<b>C5 Envelope</b> 162 x 229 mm (6.4 x 9 in.)	✓	X	X	X	X	X	X
<b>B5 Envelope</b> 176 x 250 mm (6.9 x 9.8 in.)	✓	X	X	X	X	X	X
<b>Other Envelopes</b> 98.4 x 162 mm (3.9 x 6.4 in.) to 176 x 250 mm (6.9 x 9.8 in.)	✓	X	X	X	X	X	X

## Supported paper types

### Paper types supported by the printer

Paper type	Standard or optional 550-sheet tray	Optional 2100-sheet tray	Multipurpose feeder	Two-sided printing
Plain paper	✓	✓	✓	✓
Card stock	✓	X	✓	✓
Transparency*	✓	X	✓	X
Labels	✓	X	✓	X
Bond	✓	✓	✓	✓
Envelope	✓	X	✓	X
Rough envelope	✓	X	✓	X

\* To prevent transparencies from sticking together, print up to 20 pages only. Print the succeeding pages after three minutes.

Paper type	Standard or optional 550-sheet tray	Optional 2100-sheet tray	Multipurpose feeder	Two-sided printing
Letterhead	✓	✓	✓	✓
Preprinted	✓	✓	✓	✓
Colored paper	✓	X	✓	✓
Light	✓	X	✓	✓
Heavy	✓	X	✓	✓
Rough/Cotton	✓	X	✓	✓
Custom type [x]	✓	X	✓	✓

\* To prevent transparencies from sticking together, print up to 20 pages only. Print the succeeding pages after three minutes.

### Paper types supported by the output options or finishers

Paper type	Offset stacker	4-bin mailbox	Staple finisher		Staple, hole punch finisher		
			Stack	Staple	Stack	Staple	Hole punch
Plain paper	✓	✓	✓	✓	✓	✓	✓
Card stock	✓	X	X	X	X	X	X
Transparency	✓	X	✓	X	✓	X	X
Labels	✓	X	X	X	X	X	X
Bond	✓	✓	✓	✓	✓	✓	✓
Envelope	✓	X	X	X	X	X	X
Rough envelope	✓	X	X	X	X	X	X
Letterhead	✓	✓	✓	✓	✓	✓	✓
Preprinted	✓	✓	✓	✓	✓	✓	✓
Colored paper	✓	X	X	X	X	X	X
Light	✓	X	X	X	X	X	X
Heavy	✓	X	X	X	X	X	X
Rough/Cotton	✓	X	X	X	X	X	X

Paper type	Offset stacker	4-bin mailbox	Staple finisher		Staple, hole punch finisher		
			Stack	Staple	Stack	Staple	Hole punch
Custom type [x]	✓	X	X	X	X	X	X

## Supported paper weights

### Paper weights supported by the printer

Paper type and weight	Standard or optional 550-sheet tray	Optional 2100-sheet tray	Multipurpose feeder	Two-sided printing
<b>Plain paper or Bond<sup>1</sup></b> 60–176 g/m <sup>2</sup> grain long (16–47-lb bond)	✓	✓	✓	✓
<b>Card stock</b> 203 g/m <sup>2</sup> grain long (125-lb bond)	✓	X	✓	✓
<b>Card stock</b> 199 g/m <sup>2</sup> grain long (110-lb bond)	✓	X	✓	✓
<b>Card stock</b> 176 g/m <sup>2</sup> grain long (65-lb bond)	✓	X	✓	✓
<b>Transparency</b> 138–146 g/m <sup>2</sup> grain long (37–39-lb bond)	✓	X	✓	X
<b>Paper labels</b> 180 g/m <sup>2</sup> (48-lb bond)	✓	X	✓	✓
<b>Integrated forms<sup>2</sup></b> 140–175 g/m <sup>2</sup> (37–47-lb bond)	✓	X	✓	✓
<b>Integrated forms</b> 75–135 g/m <sup>2</sup> (20–36-lb bond)	✓	X	✓	✓
<b>Envelopes<sup>3</sup></b> 60–105 g/m <sup>2</sup> (16–28-lb bond)	✓	X	✓	✓

<sup>1</sup> Grain short is preferred for paper over 176 g/m<sup>2</sup> (47 lb).

<sup>2</sup> Pressure-sensitive area must enter the printer first.

<sup>3</sup> 28-lb bond envelopes are limited to 25% cotton content.

### Paper weights supported by the output options or finishers

Paper type and weight	Offset stacker	4-bin mailbox	Staple finisher		Staple, hole punch finisher		
			Stack	Staple	Stack	Staple	Hole punch
<b>Plain paper or Bond</b> 60–176 g/m <sup>2</sup> grain long (16–47-lb bond)	✓	X	✓	X	✓	X	X

Paper type and weight	Offset stacker	4-bin mailbox	Staple finisher		Staple, hole punch finisher		
			Stack	Staple	Stack	Staple	Hole punch
<b>Plain paper or Bond</b> 60–90 g/m <sup>2</sup> grain long (16–24-lb bond)	✓	✓	✓	✓	✓	✓	✓
<b>Card stock</b> 203 g/m <sup>2</sup> grain long (125-lb bond)	✓	X	✓	X	✓	X	X
<b>Card stock</b> 199 g/m <sup>2</sup> grain long (110-lb bond)	✓	X	✓	X	✓	X	X
<b>Card stock</b> 176 g/m <sup>2</sup> grain long (65-lb bond)	✓	X	X	X	X	X	X
<b>Card stock</b> 163 g/m <sup>2</sup> grain long (90-lb bond)	✓	X	✓	X	✓	X	X
<b>Transparency</b> 138–146 g/m <sup>2</sup> grain long (37–39-lb bond)	✓	X	✓	X	✓	X	X
<b>Paper labels</b> 180 g/m <sup>2</sup> (48-lb bond)	✓	X	X	X	X	X	X
<b>Integrated forms</b> 140–175 g/m <sup>2</sup> (37–47-lb bond)	✓	X	X	X	X	X	X
<b>Integrated forms</b> 75–135 g/m <sup>2</sup> (20–36-lb bond)	✓	X	X	X	X	X	X
<b>Envelopes</b> 60–105 g/m <sup>2</sup> (16–28-lb bond)	✓	X	X	X	X	X	X

## Card stock and label guidelines

### Card stock and label weights support

The following media types are not supported on this printer:

- **Vinyl and polyester labels**

Printing these labels can lead to print quality problems and printer damage. For applications where these labels are run, use the Lexmark MS725 or MX725 printer model.

- **Narrow media batch jobs**

When printing on paper less than 210 mm (8.3 inches) wide, the printer speed may decrease and throughput could substantially reduce. If you print large jobs on narrow paper regularly, use the Lexmark MS725 or MX725 printer model which is designed to print batches of 10 or more pages of narrow paper at a faster speed. For more information, contact your Lexmark sales representative.

**Pastaba:** A5 default orientation is landscape, which is also called as LEF, and is not considered as narrow media.

The following table lists the maximum weights supported by the trays and multipurpose feeder:

Paper source	Card stock <sup>1</sup>			Labels	
	Index Bristol	Tag	Cover	Paper	Dual-web paper
<b>Standard and optional 550-sheet trays<sup>1</sup></b>	199 g/m <sup>2</sup> (110 lb)	203 g/m <sup>2</sup> (125 lb)	176 g/m <sup>2</sup> (65 lb)	180 g/m <sup>2</sup>	180 g/m <sup>2</sup>
<b>Multipurpose feeder<sup>2</sup></b>	199 g/m <sup>2</sup> (110 lb)	203 g/m <sup>2</sup> (125 lb)	176 g/m <sup>2</sup> (65 lb)	180 g/m <sup>2</sup>	180 g/m <sup>2</sup>

<sup>1</sup> See „[Grain orientation](#)“ 16 puslapyje for specific recommendations.  
<sup>2</sup> Due to label design characteristics, unacceptable feeding may be experienced from the multipurpose feeder.

<b>Labels</b>	Thickness	0.102–0.305 mm (0.004–0.012 in.)
	Smoothness	100–400 Sheffield*

\* 150–250 Sheffield is optimal. Using media higher than 300 Sheffield could result in printing degradation.

**Tray fill line information**

Depending on construction, paper labels and card stock can sometimes be difficult to pick and feed reliably. Performance can be improved by controlling the number of sheets of media loaded in the tray. There are two fill lines in the tray. The solid line is the maximum paper fill indicator. No media should be loaded in the tray above this line or paper jams could occur. The dashed line is the alternate paper fill indicator and should be used if any feed or reliability issues are noted with specialty media, including labels and card stock. If paper jams occur when completely filling the tray, then load the specialty media only up to the alternate paper fill indicator.



For more information on the printer models and feeding different types of media, contact your Lexmark sales representative.

When printing on paper labels:

- From the control panel, set the paper size, type, texture, and weight in the Paper menu to match the labels loaded in the tray.
- Do not load labels together with paper or transparencies in the same paper tray. Combining print materials can cause feeding problems.
- Use full label sheets. Partial sheets may cause labels to peel off during printing, resulting in a paper jam. Adhesive material may contaminate your printer. It could also void your printer and cartridge warranties.

During printing, the number of labels per sheet can affect registration more than basis weight. Typically, the more labels per sheet, the better the registration.



When printing on card stock:

- From the control panel, set the paper size, type, texture, and weight in the Paper menu to match the card stock loaded in the tray.
- Do not use card stock that is creased. It may cause paper jams.

For more information, see the following:

- [„Pick roller technology“ 10 puslapyje](#)
- [„Grain orientation“ 16 puslapyje](#)
- [„Maintenance procedures“ 25 puslapyje](#)
- [„Troubleshooting“ 28 puslapyje](#)
- [„Primary rib pattern design guidelines for reference edge alignment“ 26 puslapyje](#)

## Lexmark B2338, B2442, B2546, B2650, M1242, M1246, M3250, MS321, MS421, MS521, MS621, MS622 spausdintuvai



Toliau pateiktose lentelėse pateikiama informacija apie standartinius ir papildomus popieriaus šaltinius bei jiems tinkamus popieriaus formatus, rūšis ir svorius.

**Pastaba:** Jei sąrašė nėra pageidaujamo popieriaus formato, pasirinkite arčiausiai sąrašė esantį *didesnį* formatą.

**Palaikomi popieriaus formatai**

Popieriaus formatas	Standartinis 550 lapų dėklas	Papildomas 250 arba 550 lapų dėklas	Daugiafunkcis tiektuvas	Abipusis spausdi- nimas
<b>A4</b> 210 x 297 mm (8,3 x 11,7 col.)	✓	✓	✓	✓
<b>A5</b> 210 x 148 mm (8,3 x 5,8 col.)	✓	✓	✓	X
<b>A5 tiekimas ilguoju kraštu</b> 148 x 210 mm (5,8 x 8,3 col.)	✓	X	✓	X
<b>A6</b> 105 x 148 mm (4,1 x 5,8 col.)	✓	X	✓	X
<b>JIS B5</b> 182 x 257 mm (7,2 x 10,1 col.)	✓	✓	✓	X
<b>„Oficio (Mexico)“</b> 216 x 340 mm (8,5 x 13,4 col.)	✓	✓	✓	✓
<b>„Hagaki“</b> 100 x 148 mm (3,9 x 5,8 col.)	X	X	✓	X
<b>Vizitinės kortelės</b> 50,8 x 88,9 mm (2 x 3,5 col.)	X	X	X	X
<b>„Statement“</b> 140 x 216 mm (5,5 x 8,5 col.)	✓	✓	✓	X
<b>„Executive“</b> 184 x 267 mm (7,3 x 10,5 col.)	✓	✓	✓	X
<b>„Letter“</b> 216 x 279 mm (8,5 x 11 col.)	✓	✓	✓	✓
<b>„Legal“</b> 216 x 356 mm (8,5 x 14 col.)	✓	✓	✓	✓

Popieriaus formatas	Standartinis 550 lapų dėklas	Papildomas 250 arba 550 lapų dėklas	Daugiafunkcis tiektuvas	Abipusis spaudinimas
<b>„Folio“</b> 216 x 330 mm (8,5 x 13 col.)	✓	✓	✓	✓
<b>Universalus</b> Nuo 76,2 x 127 mm iki 216 x 356 mm (nuo 3 x 5 col. iki 8,5 x 14 col.)	X	X	✓	X
<b>Universalus</b> Nuo 105 x 148 mm iki 216 x 356 mm (nuo 4,13 x 5,83 col. iki 8,5 x 14 col.)	✓	X	X	X
<b>Universalus</b> Nuo 148 x 210 mm iki 216 x 356 mm (nuo 5,83 x 8,27 col. iki 8,5 x 14 col.)	X	✓	X	X
<b>„7 3/4 Envelope (Monarch)“</b> 98 x 191 mm (3,9 x 7,5 col.)	X	X	✓	X
<b>„9 Envelope“</b> 98 x 225 mm (3,9 x 8,9 col.)	X	X	✓	X
<b>„10 Envelope“</b> 105 x 241 mm (4,1 x 9,5 col.)	X	X	✓	X
<b>„DL Envelope“</b> 110 x 220 mm (4,3 x 8,7 col.)	X	X	✓	X
<b>„C5 Envelope“</b> 162 x 229 mm (6,4 x 9 col.)	X	X	✓	X
<b>„B5 Envelope“</b> 176 x 250 mm (6,9 x 9,8 col.)	X	X	✓	X
<b>Kiti vokų („Envelope“) formatai</b> Nuo 76,2 x 127 mm iki 216 x 356 mm (nuo 3 x 5 col. iki 8,5 x 14 col.)	X	X	✓	X

## Palaikomos popieriaus rūšys

Popieriaus rūšis	Standartinis 550 lapų dėklas	Papildomas 250 arba 550 lapų dėklas	Daugiafunkcis tiek tuvas	Abipusis spausdinimas
Paprastas popierius	✓	✓	✓	✓
Kartoninis popierius	X	X	✓	X
Permatomos laikmenos	✓	X	✓	X
Perdirbtas popierius	✓	✓	✓	✓
Popierinės etiketės <sup>1</sup>	✓	✓	✓	X
Standus popierius <sup>2</sup>	✓	✓	✓	✓
Firminiai blankai	✓	✓	✓	✓
Iš anksto paruoštos formos	✓	✓	✓	✓
Spalvotas popierius	✓	✓	✓	✓
Lengvas popierius	✓	✓	✓	✓
Sunkus popierius <sup>2</sup>	✓	✓	✓	✓
Šiurkštus / medvilninis popierius	✓	✓	✓	✓
Vokai	X	X	✓	X
Šiurkštūs vokai	X	X	✓	X

<sup>1</sup> Lazeriniams spausdintuvams skirtas vienpusės popierines etiketes tinka naudoti tik retkarčiais. Rekomenduojama spausdinti 20 ar mažiau popierinių etikečių puslapių per mėnesį. Vinilinės, vaistų ir dvipusės etiketės netinka.

<sup>2</sup> Standus („Bond“) ir sunkus („Heavy“) popierius tinka naudoti dvipusiam spausdinimui, jei jo svoris – iki 90 g/m<sup>2</sup> (24 sv.).

## Supported paper weights

Paper type	Tray	Multipurpose feeder	Two-sided printing
Plain paper	60–120 g/m <sup>2</sup> (16–32 lb)	60–216 g/m <sup>2</sup> (16–58 lb)	60–90 g/m <sup>2</sup> (16–24 lb)
Card stock	N/A	60–216 g/m <sup>2</sup> (16–58 lb)	N/A

\* One-sided paper labels designed for laser printers are supported for occasional use. It is recommended to print 20 or fewer pages of paper labels per month. Vinyl, pharmacy, and two-sided labels are not supported.

Paper type	Tray	Multipurpose feeder	Two-sided printing
Transparency	60–120 g/m <sup>2</sup> (16–32 lb)	60–216 g/m <sup>2</sup> (16–58 lb)	N/A
Labels*	60–120 g/m <sup>2</sup> (16–32 lb)	60–216 g/m <sup>2</sup> (16–58 lb)	N/A
Envelopes	N/A	N/A	N/A

\* One-sided paper labels designed for laser printers are supported for occasional use. It is recommended to print 20 or fewer pages of paper labels per month. Vinyl, pharmacy, and two-sided labels are not supported.

## „Lexmark“ daugiafunkciai spausdintuvai MB2338, MB2442, MX321, MX421, XM1242



Toliau pateiktose lentelėse pateikiama informacija apie standartinius ir papildomus popieriaus šaltinius bei jiems tinkamus popieriaus formatus, rūšis ir svorius.

**Pastaba:** Jei sąrašė nėra pageidaujamo popieriaus formato, pasirinkite arčiausiai sąrašė esantį *didesnį* formatą.

### Supported paper sizes

Paper size	Standard 550-sheet tray	Optional 250- or 550-sheet tray	Multipurpose feeder	Two-sided printing	ADF	Scanner glass
<b>A4</b> 210 x 297 mm (8.3 x 11.7 in.)	✓	✓	✓	✓	✓	✓
<b>A5</b> 210 x 148 mm (8.3 x 5.8 in.)	✓	✓	✓	x	✓	✓

Paper size	Standard 550-sheet tray	Optional 250- or 550-sheet tray	Multipurpose feeder	Two-sided printing	ADF	Scanner glass
<b>A5 LEF</b> 148 x 210 mm (5.8 x 8.3 in.)	✓	X	✓	X	✓	✓
<b>A6</b> 105 x 148 mm (4.1 x 5.8 in.)	✓	X	✓	X	✓	✓
<b>JIS B5</b> 182 x 257 mm (7.2 x 10.1 in.)	✓	✓	✓	X	✓	✓
<b>Oficio (Mexico)</b> 216 x 340 mm (8.5 x 13.4 in.)	✓	✓	✓	✓	✓	✓
<b>Hagaki</b> 100 x 148 mm (3.9 x 5.8 in.)	X	X	✓	X	X	✓
<b>Business card</b> 50.8 x 88.9 mm (2 x 3.5 in.)	X	X	X	X	X	✓
<b>Statement</b> 140 x 216 mm (5.5 x 8.5 in.)	✓	✓	✓	X	✓	✓
<b>Executive</b> 184 x 267 mm (7.3 x 10.5 in.)	✓	✓	✓	X	✓	✓
<b>Letter</b> 216 x 279 mm (8.5 x 11 in.)	✓	✓	✓	✓	✓	✓
<b>Legal</b> 216 x 356 mm (8.5 x 14 in.)	✓	✓	✓	✓	✓	✓
<b>Folio</b> 216 x 330 mm (8.5 x 13 in.)	✓	✓	✓	✓	✓	✓
<b>Universal</b> 76.2 x 127 mm to 216 x 356 mm (3 x 5 in. to 8.5 x 14 in.)	X	X	✓	X	✓	✓ <sub>2</sub>
<b>Universal</b> 105 x 148 mm to 216 x 356 mm (4.13 x 5.83 in. to 8.5 x 14 in.)	✓	X	X	X	✓	✓

Paper size	Standard 550-sheet tray	Optional 250- or 550-sheet tray	Multipurpose feeder	Two-sided printing	ADF	Scanner glass
<b>Universal</b> 148 x 210 mm to 216 x 356 mm (5.83 x 8.27 in. to 8.5 x 14 in.)	X	✓	X	X	X	✓
<b>7 3/4 Envelope (Monarch)</b> 98 x 191 mm (3.9 x 7.5 in.)	X	X	✓	X	X	✓
<b>9 Envelope</b> 98 x 225 mm (3.9 x 8.9 in.)	X	X	✓	X	X	✓
<b>10 Envelope</b> 105 x 241 mm (4.1 x 9.5 in.)	X	X	✓	X	X	✓
<b>DL Envelope</b> 110 x 220 mm (4.3 x 8.7 in.)	X	X	✓	X	X	✓
<b>C5 Envelope</b> 162 x 229 mm (6.4 x 9 in.)	X	X	✓	X	X	✓
<b>B5 Envelope</b> 176 x 250 mm (6.9 x 9.8 in.)	X	X	✓	X	X	✓
<b>Other Envelope</b> 76.2 x 127 mm to 216 x 356 mm ( 3 x 5 in. to 8.5 x 14 in.)	X	X	✓	X	X	✓

## Supported paper types

Paper type	Standard 550-sheet tray	Optional 250- or 550-sheet tray	Multipurpose feeder	Two-sided printing	ADF	Scanner glass
<b>Plain paper</b>	✓	✓	✓	✓	✓	✓
<b>Card stock</b>	X	X	✓	X	X	✓
<b>Transparency</b>	✓	X	✓	X	X	✓

<sup>1</sup> One-sided paper labels designed for laser printers are supported for occasional use. It is recommended to print 20 or fewer pages of paper labels per month. Vinyl, pharmacy, and two-sided labels are not supported.

<sup>2</sup> Bond and Heavy paper are supported in two-sided printing up to 90-g/m<sup>2</sup> (24-lb) paper weight.

Paper type	Standard 550-sheet tray	Optional 250- or 550-sheet tray	Multipurpose feeder	Two-sided printing	ADF	Scanner glass
Recycled	✓	✓	✓	✓	✓	✓
Paper labels <sup>1</sup>	✓	✓	✓	✗	✗	✓
Bond <sup>2</sup>	✓	✓	✓	✓	✓	✓
Letterhead	✓	✓	✓	✓	✓	✓
Preprinted	✓	✓	✓	✓	✓	✓
Colored paper	✓	✓	✓	✓	✓	✓
Light paper	✓	✓	✓	✓	✓	✓
Heavy paper <sup>2</sup>	✓	✓	✓	✓	✓	✓
Rough/Cotton	✓	✓	✓	✓	✓	✓
Envelope	✗	✗	✓	✗	✗	✓
Rough envelope	✗	✗	✓	✗	✗	✓

<sup>1</sup> One-sided paper labels designed for laser printers are supported for occasional use. It is recommended to print 20 or fewer pages of paper labels per month. Vinyl, pharmacy, and two-sided labels are not supported.

<sup>2</sup> Bond and Heavy paper are supported in two-sided printing up to 90-g/m<sup>2</sup> (24-lb) paper weight.

## Supported paper weights

Paper type	Tray	Multipurpose feeder	ADF	Two-sided printing
Plain paper	60–120 g/m <sup>2</sup> (16–32 lb)	60–216 g/m <sup>2</sup> (16–58 lb)	Standard-sized paper: 52–120 g/m <sup>2</sup> (14–32 lb) Universal-sized media: 60–90 g/m <sup>2</sup> (16–24 lb)	60–90 g/m <sup>2</sup> (16–24 lb)
Card stock	N/A	60–216 g/m <sup>2</sup> (16–58 lb)	52–120 g/m <sup>2</sup> (14–32 lb)	N/A
Transparency	60–120 g/m <sup>2</sup> (16–32 lb)	60–216 g/m <sup>2</sup> (16–58 lb)	N/A	N/A

\* One-sided paper labels designed for laser printers are supported for occasional use. It is recommended to print 20 or fewer pages of paper labels per month. Vinyl, pharmacy, and two-sided labels are not supported.



Paper type	Tray	Multipurpose feeder	ADF	Two-sided printing
<b>Labels*</b>	60–120 g/m <sup>2</sup> (16–32 lb)	60–216 g/m <sup>2</sup> (16–58 lb)	N/A	N/A
<b>Envelopes</b>	N/A	N/A	60–216 g/m <sup>2</sup> (16–58 lb)	N/A

\* One-sided paper labels designed for laser printers are supported for occasional use. It is recommended to print 20 or fewer pages of paper labels per month. Vinyl, pharmacy, and two-sided labels are not supported.

## „Lexmark“ daugiafunkciai spausdintuvai MB2546, MB2650, MX521, MX522, MX622, XM1242, XM1246, XM3250



Toliau pateiktose lentelėse pateikiama informacija apie standartinius ir papildomus popieriaus šaltinius bei jiems tinkamus popieriaus formatus, rūšis ir svorius.

**Pastaba:** Jei sąrašė nėra pageidaujamo popieriaus formato, pasirinkite arčiausiai sąrašė esantį *didesnį* formatą.

### Palaikomi popieriaus formatai

Popieriaus formatas	Standartinis 550 lapų dėklas	Papildomas 250 arba 550 lapų dėklas	Daugiafunkcis tiek tuvas	Abipusis spausdinimas	ADT	Skaitytuvo stiklas
<b>A4</b> 210 x 297 mm (8,3 x 11,7 col.)	✓	✓	✓	✓	✓	✓
<b>A5</b> 210 x 148 mm (8,3 x 5,8 col.)	✓	✓	✓	x	✓	✓

Popieriaus formatas	Standartinis 550 lapų dėklas	Papildomas 250 arba 550 lapų dėklas	Daugiafunkcis tiektuvas	Abipusis spausdi- nimas	ADT	Skaitytuvo stiklas
<b>A5 tiekimas ilgoju kraštu</b> 148 x 210 mm (5,8 x 8,3 col.)	✓	X	✓	X	✓	✓
<b>A6</b> 105 x 148 mm (4,1 x 5,8 col.)	✓	X	✓	X	✓	✓
<b>JIS B5</b> 182 x 257 mm (7,2 x 10,1 col.)	✓	✓	✓	X	✓	✓
<b>„Oficio (Mexico)“</b> 216 x 340 mm (8,5 x 13,4 col.)	✓	✓	✓	✓	✓	✓
<b>„Hagaki“</b> 100 x 148 mm (3,9 x 5,8 col.)	X	X	✓	X	X	✓
<b>Vizitinės kortelės</b> 50,8 x 88,9 mm (2 x 3,5 col.)	X	X	X	X	X	✓
<b>„Statement“</b> 140 x 216 mm (5,5 x 8,5 col.)	✓	✓	✓	X	✓	✓
<b>„Executive“</b> 184 x 267 mm (7,3 x 10,5 col.)	✓	✓	✓	X	✓	✓
<b>„Letter“</b> 216 x 279 mm (8,5 x 11 col.)	✓	✓	✓	✓	✓	✓
<b>„Legal“</b> 216 x 356 mm (8,5 x 14 col.)	✓	✓	✓	✓	✓	✓
<b>„Folio“</b> 216 x 330 mm (8,5 x 13 col.)	✓	✓	✓	✓	✓	✓
<b>Universalus</b> Nuo 76,2 x 127 mm iki 216 x 356 mm (nuo 3 x 5 col. iki 8,5 x 14 col.)	X	X	✓	X	X	✓

Popieriaus formatas	Standartinis 550 lapų dėklas	Papildomas 250 arba 550 lapų dėklas	Daugiafunkcis tiek tuvas	Abipusis spausdinimas	ADT	Skaitytuvo stiklas
<b>Universalus</b> Nuo 105 x 148 mm iki 216 x 356 mm (nuo 4,13 x 5,83 col. iki 8,5 x 14 col.)	✓	X	X	X	✓	✓
<b>Universalus</b> Nuo 148 x 210 mm iki 216 x 356 mm (nuo 5,83 x 8,27 col. iki 8,5 x 14 col.)	X	✓	X	X	X	✓
<b>„7 3/4 Envelope (Monarch)“</b> 98 x 191 mm (3,9 x 7,5 col.)	X	X	✓	X	X	✓
<b>„9 Envelope“</b> 98 x 225 mm (3,9 x 8,9 col.)	X	X	✓	X	X	✓
<b>„10 Envelope“</b> 105 x 241 mm (4,1 x 9,5 col.)	X	X	✓	X	X	✓
<b>„DL Envelope“</b> 110 x 220 mm (4,3 x 8,7 col.)	X	X	✓	X	X	✓
<b>„C5 Envelope“</b> 162 x 229 mm (6,4 x 9 col.)	X	X	✓	X	X	✓
<b>„B5 Envelope“</b> 176 x 250 mm (6,9 x 9,8 col.)	X	X	✓	X	X	✓
<b>Kiti vokų („Envelope“) formatai</b> Nuo 76,2 x 127 mm iki 216 x 356 mm (nuo 3 x 5 col. iki 8,5 x 14 col.)	X	X	✓	X	X	✓

**Palaikomos popieriaus rūšys**

Popieriaus rūšis	Standartinis 550 lapų dėklas	Papildomas 250 arba 550 lapų dėklas	Daugiafunkcis tiektuvas	Abipusis spausdinimas	ADT	Skaitytuvo stiklas
Paprastas popierius	✓	✓	✓	✓	✓	✓
Kartoninis popierius	x	x	✓	x	x	✓
Permatomos laikmenos	✓	x	✓	x	x	✓
Perdirbtas popierius	✓	✓	✓	✓	✓	✓
Popierinės etiketės <sup>1</sup>	✓	✓	✓	x	x	✓
Standus popierius <sup>2</sup>	✓	✓	✓	✓	✓	✓
Firminiai blankai	✓	✓	✓	✓	✓	✓
Iš anksto paruoštos formos	✓	✓	✓	✓	✓	✓
Spalvotas popierius	✓	✓	✓	✓	✓	✓
Lengvas popierius	✓	✓	✓	✓	✓	✓
Sunkus popierius <sup>2</sup>	✓	✓	✓	✓	✓	✓
Šiurkštus / medvilninis popierius	✓	✓	✓	✓	✓	✓
Vokai	x	x	✓	x	x	✓
Šiurkštūs vokai	x	x	✓	x	x	✓

<sup>1</sup> Lazeriniams spausdintuvams skirtas vienpusės popierinės etiketės tinka naudoti tik retkarčiais. Rekomenduojama spausdinti 20 ar mažiau popierinių etikečių puslapių per mėnesį. Vinilinės, vaistų ir dvipusės etiketės netinka.

<sup>2</sup> Standus („Bond“) ir sunkus („Heavy“) popierius tinka naudoti dvipusiam spausdinimui, jei jo svoris – iki 90 g/m<sup>2</sup> (24 sv.).

## Palaikomi popieriaus svoriai

Popieriaus rūšis	Dėklas	Daugiafunkcis tiektuvas	ADT	Abipusis spausdinimas
Paprastas popierius („Plain Paper“)	60–120 g/m <sup>2</sup> (16–32 sv.)	60–216 g/m <sup>2</sup> (16–58 sv.)	Standartinio formato popierius: 52–120 g/m <sup>2</sup> (14–32 sv.) Universalus formato laikmenos: 60–90 g/m <sup>2</sup> (16–24 sv.)	60–90 g/m <sup>2</sup> (16–24 sv.)
Kartoninis popierius („Card Stock“)	Nėra	60–216 g/m <sup>2</sup> (16–58 sv.)	52–120 g/m <sup>2</sup> (14–32 sv.)	Nėra
Permatomos laikmenos	60–120 g/m <sup>2</sup> (16–32 sv.)	60–216 g/m <sup>2</sup> (16–58 sv.)	Nėra	Nėra
Etiketės*	60–120 g/m <sup>2</sup> (16–32 sv.)	60–216 g/m <sup>2</sup> (16–58 sv.)	Nėra	Nėra
Vokai	Nėra	Nėra	60–216 g/m <sup>2</sup> (16–58 sv.)	Nėra

\* Lazeriniams spausdintuvams skirtas vienpusės popierines etiketes tinka naudoti tik retkarčiais. Rekomenduojama spausdinti 20 ar mažiau popierinių etikečių puslapių per mėnesį. Vinilinės, vaistų ir dvipusės etiketės netinka.

## „Lexmark“ spausdintuvai ir daugiaviečiai spausdintuvai C9235, CS921, CS923, CS927, CX921, CX922, CX923, CX924, CX927, XC9225, XC9235, XC9245, XC9255, XC9265



Toliau pateiktose lentelėse pateikiama informacija apie standartinius ir papildomus popieriaus šaltinius bei jiems tinkamus popieriaus formatus, rūšis ir svorius.

**Pastaba:** Jei sąrašė nėra pageidaujamo popieriaus formato, pasirinkite arčiausiai sąrašė esantį *didesnį* formatą.

## Supported paper sizes

### Paper sizes supported by the printer

Paper size and dimension	500-sheet tray	2 x 500-sheet tray	2500-sheet tray	3000-sheet tray	Multi-purpose feeder <sup>3</sup>	Two-sided printing
<b>7 3/4 Envelope</b> 98 x 191 mm (3.9 x 7.5 in.)	X	X	X	X	✓	X
<b>9 Envelope</b> 98.4 x 225 mm (3.9 x 8.9 in.)	X	X	X	X	✓	X
<b>10 Envelope</b> 105 x 241 mm (4.1 x 9.5 in.)	X	X	X	X	✓	X
<b>11 x 17</b> 279.4 x 431.8 mm (11 x 17 in.)	✓ <sup>1</sup>	✓ <sup>1</sup>	X	X	✓ <sup>1</sup>	✓
<b>12 x 18</b> 305 x 457 mm (12 x 18 in.)	✓ <sup>1,4</sup>	X	X	X	✓ <sup>1</sup>	✓
<b>A3</b> 297 x 420 mm (11.69 x 16.54 in.)	✓ <sup>1</sup>	✓ <sup>1</sup>	X	X	✓ <sup>1</sup>	✓
<b>A4</b> 210 x 297 mm (8.3 x 11.7 in.)	✓	✓	✓ <sup>2</sup>	✓ <sup>2</sup>	✓	✓
<b>A5</b> 148 x 210 mm (5.8 x 8.3 in.)	✓ <sup>1</sup>	✓ <sup>1</sup>	X	X	✓	✓

<sup>1</sup> This paper is loaded only in short-edge orientation.

<sup>2</sup> This paper is loaded only in long-edge orientation.

<sup>3</sup> The paper source supports paper size *without size sensing*.

<sup>4</sup> This paper is not supported in tray 1.

<sup>5</sup> Two-sided printing supports Universal sizes between 139.7 x 148 mm to 320 x 458 mm (5.5 x 5.83 in. to 12.6 x 18 in.).

Paper size and dimension	500-sheet tray	2 x 500-sheet tray	2500-sheet tray	3000-sheet tray	Multi-purpose feeder <sup>3</sup>	Two-sided printing
<b>A6</b> 105 x 148 mm (4.1 x 5.8 in.)	X	X	X	X	√ <sup>1</sup>	√
<b>B5 Envelope</b> 176 x 250 mm (6.9 x 9.8 in.)	X	X	X	X	√	X
<b>C5 Envelope</b> 162 x 229 mm (6.4 x 9 in.)	X	X	X	X	√	X
<b>DL Envelope</b> 110 x 220 mm (4.3 x 8.7 in.)	X	X	X	X	√	X
<b>Executive</b> 184 x 267 mm (7.3 x 10.5 in.)	√	√	X	X	√	√
<b>Folio</b> 216 x 330 mm (8.5 x 13 in.)	√	√	X	X	√	√
<b>JIS B4</b> 257 x 364 mm (10.12 x 14.33 in.)	√ <sup>1</sup>	√ <sup>1</sup>	X	X	√ <sup>1</sup>	√
<b>JIS B5</b> 182 x 257 mm (7.2 x 10.1 in.)	√	√	X	X	√	√
<b>Legal</b> 216 x 356 mm (8.5 x 14 in.)	√ <sup>1</sup>	√ <sup>1</sup>	X	X	√ <sup>1</sup>	√
<b>Letter</b> 216 x 279 mm (8.5 x 11 in.)	√	√	√ <sup>2</sup>	√ <sup>2</sup>	√	√
<b>Oficio</b> 216 x 340 mm (8.5 x 13.4 in.)	√	√	X	X	√	√

<sup>1</sup> This paper is loaded only in short-edge orientation.

<sup>2</sup> This paper is loaded only in long-edge orientation.

<sup>3</sup> The paper source supports paper size *without size sensing*.

<sup>4</sup> This paper is not supported in tray 1.

<sup>5</sup> Two-sided printing supports Universal sizes between 139.7 x 148 mm to 320 x 458 mm (5.5 x 5.83 in. to 12.6 x 18 in.).

Paper size and dimension	500-sheet tray	2 x 500-sheet tray	2500-sheet tray	3000-sheet tray	Multi-purpose feeder <sup>3</sup>	Two-sided printing
<b>Other Envelope</b> Max: 297 x 427.6 mm (11.69 x 16.83 in.)	X	X	X	X	✓	X
<b>SRA3</b> 320 x 450 mm (12.6 x 17.7 in.)	✓ <sup>1,4</sup>	X	X	X	✓ <sup>1</sup>	✓
<b>Statement</b> 140 x 216 mm (5.5 x 8.5 in.)	✓ <sup>1</sup>	✓ <sup>1</sup>	X	X	✓	✓
<b>Universal</b> 90 x 139.7 mm to 320 x 1200 mm (3.5 x 5.5 in. to 12.6 x 47.24 in.)	✓	✓	X	X	✓	✓ <sup>5</sup>

<sup>1</sup> This paper is loaded only in short-edge orientation.

<sup>2</sup> This paper is loaded only in long-edge orientation.

<sup>3</sup> The paper source supports paper size *without size sensing*.

<sup>4</sup> This paper is not supported in tray 1.

<sup>5</sup> Two-sided printing supports Universal sizes between 139.7 x 148 mm to 320 x 458 mm (5.5 x 5.83 in. to 12.6 x 18 in.).

### Paper sizes supported by the ADF and scanner

Paper size	Dimensions	ADF	Scanner
<b>3 x 5</b>	76.2 x 127 mm (3 x 5 in.)	X	✓ <sup>1,2</sup>
<b>4 x 6</b>	101.6 x 152.4 mm (4 x 6 in.)	✓ <sup>2</sup>	✓ <sup>1,2</sup>
<b>7 3/4 Envelope</b>	98 x 191 mm (3.9 x 7.5 in.)	X	X
<b>9 Envelope</b>	98 x 225 mm (3.9 x 8.9 in.)	X	X
<b>10 Envelope</b>	105 x 241 mm (4.1 x 9.5 in.)	X	X
<b>11 x 17</b>	279.4 x 431.8 mm (11 x 17 in.)	✓	✓
<b>12 x 18</b>	305 x 457 mm (12 x 18 in.)	X	X

<sup>1</sup> This paper is loaded only in short-edge orientation.

<sup>2</sup> The paper source supports paper size *without size sensing*.



Paper size	Dimensions	ADF	Scanner
<b>A3</b>	297 x 420 mm (11.69 x 16.54 in.)	✓	✓
<b>A4</b>	210 x 297 mm (8.3 x 11.7 in.)	✓	✓
<b>A5</b>	148 x 210 mm (5.8 x 8.3 in.)	✓	✓ <sup>2</sup>
<b>A6</b>	105 x 148 mm (4.1 x 5.8 in.)	✓ <sup>1,2</sup>	✓ <sup>1,2</sup>
<b>B5 Envelope</b>	176 x 250 mm (6.9 x 9.8 in.)	X	X
<b>C5 Envelope</b>	162 x 229 mm (6.4 x 9 in.)	X	X
<b>DL Envelope</b>	110 x 220 mm (4.3 x 8.7 in.)	X	X
<b>Business card</b>	N/A	X	✓ <sup>1,2</sup>
<b>Custom Scan Size [x]</b>	N/A	✓ <sup>2</sup>	✓ <sup>2</sup>
<b>Hagaki</b>	100 x 148 mm (3.94 x 5.83 in.)	✓	✓
<b>Executive</b>	184 x 267 mm (7.3 x 10.5 in.)	✓	✓
<b>Folio</b>	216 x 330 mm (8.5 x 13 in.)	✓	✓
<b>JIS B4</b>	257 x 364 mm (10.12 x 14.33 in.)	✓	✓
<b>JIS B5</b>	182 x 257 mm (7.2 x 10.1 in.)	✓	✓
<b>Letter</b>	216 x 279 mm (8.5 x 11 in.)	✓	✓
<b>Legal</b>	216 x 356 mm (8.5 x 14 in.)	✓	✓
<b>Oficio</b>	216 x 340 mm (8.5 x 13.4 in.)	✓ <sup>2</sup>	✓ <sup>2</sup>
<b>Other Envelope</b>	98 x 162 mm to 176 x 250 mm (3.9 x 6.3 in. to 6.9 x 9.8 in.)	X	X
<b>SRA3</b>	320 x 450 mm (12.6 x 17.7 in.)	X	X

<sup>1</sup> This paper is loaded only in short-edge orientation.

<sup>2</sup> The paper source supports paper size *without size sensing*.

Paper size	Dimensions	ADF	Scanner
<b>Statement</b>	140 x 216 mm (5.5 x 8.5 in.)	✓	✓
<b>Universal</b>	89 x 98.4 mm to 297 x 431.8 mm (3.50 x 3.87 in. to 11.69 x 17.00 in.)	✓ <sup>2</sup>	✓ <sup>2</sup>
<sup>1</sup> This paper is loaded only in short-edge orientation. <sup>2</sup> The paper source supports paper size <i>without size sensing</i> .			

## Paper sizes supported by the finisher

**Pastaba:** When a finisher is installed, the standard finisher bin becomes the default bin even for print jobs that do not require finishing.

### Supported paper sizes

Paper size	Staple finisher	Staple, hole punch finisher bin 1	Staple, hole punch finisher bin 2	Booklet finisher
<b>11 x 17</b>	✓	✓	✓	✓
<b>12 x 18</b>	✓ <sup>1</sup>	✓ <sup>1</sup>	✓ <sup>5</sup>	✓
<b>A3</b>	X	✓ <sup>1</sup>	✓ <sup>5</sup>	✓
<b>A4</b>	✓	✓	✓	✓
<b>A5</b>	✓ <sup>1</sup>	✓ <sup>1</sup>	✓ <sup>4</sup>	X
<b>A6</b>	✓ <sup>1</sup>	✓ <sup>1</sup>	X	X
<b>Executive</b>	✓	✓	✓	X
<b>Folio</b>	✓ <sup>1</sup>	✓	✓	X
<b>JIS B5</b>	✓	✓	✓	X
<b>JIS B4</b>	✓	✓	✓	✓
<b>Legal</b>	✓	✓ <sup>6</sup>	✓	✓
<b>Letter</b>	✓	✓	✓	✓
<b>Oficio</b>	✓ <sup>1</sup>	✓	✓	X
<b>SRA3</b>	✓ <sup>1</sup>	✓ <sup>3</sup>	✓ <sup>1</sup>	✓
<b>Statement</b>	✓ <sup>1</sup>	✓ <sup>1</sup>	✓ <sup>1</sup>	X

<sup>1</sup> Paper is supported but the finisher does not stack, staple, or punch holes in it.

<sup>2</sup> Paper is supported only if the finisher stacks and punches holes in it but does not staple it.

<sup>3</sup> Paper is supported only if the paper size is 210 x 279.4 mm to 320 x 457.2 mm (8.27 x 11 in. to 12.6 x 18 in.).

<sup>4</sup> Paper is supported only if the finisher stacks and staples the paper but does not punch holes in it.

<sup>5</sup> Paper is supported only if the finisher stacks the paper but does not staple or punch holes in it.

<sup>6</sup> Paper is supported only for two-hole punch.

Paper size	Staple finisher	Staple, hole punch finisher bin 1	Staple, hole punch finisher bin 2	Booklet finisher
Universal	√	√ <sup>1</sup>	√ <sup>5</sup>	√ <sup>3</sup>
<p><sup>1</sup> Paper is supported but the finisher does not stack, staple, or punch holes in it.</p> <p><sup>2</sup> Paper is supported only if the finisher stacks and punches holes in it but does not staple it.</p> <p><sup>3</sup> Paper is supported only if the paper size is 210 x 279.4 mm to 320 x 457.2 mm (8.27 x 11 in. to 12.6 x 18 in.).</p> <p><sup>4</sup> Paper is supported only if the finisher stacks and staples the paper but does not punch holes in it.</p> <p><sup>5</sup> Paper is supported only if the finisher stacks the paper but does not staple or punch holes in it.</p> <p><sup>6</sup> Paper is supported only for two-hole punch.</p>				

## Supported paper types

### Paper types supported by the printer

**Pastaba:** Labels, transparencies, envelopes, and card stock always print at reduced speed.

Paper type	2 x 500-sheet tray	2500-sheet tray	3000-sheet tray	Multipurpose feeder	Two-sided printing
Bond	√	√	√	√	√
Envelope	X	X	X	√	X
Card Stock	√	√	√	√	√
Colored Paper	√	√	√	√	√
Custom Type	√	√	√	√	√
Glossy	√	√	√	√	√
Heavy Glossy	√	√	√	√	√
Heavy Paper	√	√	√	√	√
Labels	X	X	X	√	X
Letterhead	√	√	√	√	√
Light Paper	√	√	√	√	√
Plain Paper	√	√	√	√	√
Preprinted	√	√	√	√	√
Recycled	√	√	√	√	√
Rough Envelope	X	X	X	√	X
Rough Cotton	√	√	√	√	√
Transparencies <sup>1</sup>	X	X	X	√	X
<p><sup>1</sup> Print in batches of only up to 20 to prevent them from sticking together.</p>					

Paper type	2 x 500-sheet tray	2500-sheet tray	3000-sheet tray	Multipurpose feeder	Two-sided printing
<b>Vinyl Labels</b>	X	X	X	X	X
<sup>1</sup> Print in batches of only up to 20 to prevent them from sticking together.					

Paper type	ADF	Scanner
<b>Bond</b>	✓	✓
<b>Envelope</b>	✓	✓
<b>Card Stock</b>	✓	✓
<b>Colored Paper</b>	✓	✓
<b>Custom Type</b>	✓	✓
<b>Glossy</b>	✓	✓
<b>Heavy Glossy</b>	✓	✓
<b>Heavy Paper</b>	✓	✓
<b>Labels</b>	✓	✓
<b>Letterhead</b>	✓	✓
<b>Light Paper</b>	✓	✓
<b>Plain Paper</b>	✓	✓
<b>Preprinted</b>	✓	✓
<b>Recycled</b>	✓	✓
<b>Rough Envelope</b>	✓	✓
<b>Rough Cotton</b>	✓	✓
<b>Transparencies<sup>1</sup></b>	✓	✓
<b>Vinyl Labels</b>	✓	✓
<sup>1</sup> Print in batches of only up to 20 to prevent them from sticking together.		

**Paper types supported by the finisher**

Paper type	Staple finisher		Staple, hole punch finisher			Booklet finisher
	Non-finishing	Staple	Non-finishing	Staple	Hole punch	
<b>Bond</b>	✓	✓	✓	✓	✓	✓
<b>Card Stock</b>	✓	X	✓	X	✓	X
<sup>1</sup> Print in batches of only up to 20 to prevent them from sticking together.						

Paper type	Staple finisher		Staple, hole punch finisher			Booklet finisher
	Non-finishing	Staple	Non-finishing	Staple	Hole punch	
Glossy	✓	X	✓	✓	✓	✓
Heavy Glossy	✓	X	✓	X	✓	X
Labels	✓	X	✓	X	X	X
Plain Paper	✓	✓	✓	✓	✓	✓
Recycled	✓	✓	✓	✓	✓	✓
Transparencies <sup>1</sup>	✓	X	✓	X	X	X
Vinyl Labels	X	X	X	X	X	X
Envelope	✓	X	✓	X	X	X
Rough Envelope	✓	X	✓	X	X	X
Letterhead	✓	✓	✓	✓	✓	✓
Preprinted	✓	✓	✓	✓	✓	✓
Colored Paper	✓	✓	✓	✓	✓	✓
Light Paper	✓	✓	✓	✓	✓	✓
Heavy Paper	✓	X	✓	X	X	X
Rough Cotton	✓	X	✓	X	X	X
Custom Type	✓	✓	✓	✓	✓	✓

<sup>1</sup> Print in batches of only up to 20 to prevent them from sticking together.

## Supported paper weights

Paper type	Standard 550-sheet tray	2 x 500-sheet tray	2500-sheet tray	3000-sheet tray	Multipurpose feeder
Plain paper	60–256 g/m <sup>2</sup> (16–68 lb)				
Glossy	60–256 g/m <sup>2</sup> (16–68 lb)				
Card stock	60–256 g/m <sup>2</sup> (16–68 lb)				
Labels	N/A	N/A	N/A	N/A	60–256 g/m <sup>2</sup> (16–68 lb)
Envelopes	N/A	N/A	N/A	N/A	75–256 g/m <sup>2</sup> (20–68 lb)

## „Lexmark“ spausdintuvai ir daugiafunkciai spausdintuvai C6160, CS820, CS827, CX820, CX825, CX827, CX860, XC6152, XC6153, XC8155, XC8160, XC8163



Toliau pateiktose lentelėse pateikiama informacija apie standartinius ir papildomus popieriaus šaltinius bei jiems tinkamus popieriaus formatus, rūšis ir svorius.

**Pastaba:** Jei sąrašė nėra pageidaujamo popieriaus formato, pasirinkite arčiausiai sąrašė esantį *didesnį* formatą.

### Supported paper sizes

#### Supported input sizes

Paper size	Dimensions	550-sheet tray	2200-sheet tray	Envelope tray	Multipurpose feeder <sup>1</sup>	Two-sided printing	ADF
3 x 5	76.2 x 127 mm (3 x 5 in.)	X	X	X	✓	X	X
4 x 6	101.6 x 152.4 mm (4 x 6 in.)	X	X	X	✓	X	X
A4	210 x 297 mm (8.3 x 11.7 in.)	✓	✓	X	✓	✓	✓
A5 landscape	210 x 148 mm (8.3 x 5.8 in.)	✓	✓	X	✓	✓	X

<sup>1</sup> This paper source does not support automatic size sensing.

<sup>2</sup> A5 portrait reports as Universal in the standard and optional 550-sheet trays.

Paper size	Dimensions	550-sheet tray	2200-sheet tray	Envelope tray	Multipurpose feeder <sup>1</sup>	Two-sided printing	ADF
<b>A5 portrait<sup>2</sup></b>	148 x 210 mm (5.8 x 8.3 in.)	✓	X	X	✓	✓	✓
<b>A6</b>	105 x 148 mm (4.1 x 5.8 in.)	X	X	X	✓	✓	✓
<b>Banner</b>	Max width: 215.9 mm (8.5 in.) Max length: 1320.8 mm (52 in.)	X	X	X	✓	X	X
<b>Executive</b>	184.2 x 266.7 mm (7.3 x 10.5 in.)	✓	X	X	✓	✓	✓
<b>Folio</b>	215.9 x 330.2 mm (8.5 x 13 in.)	✓	✓	X	✓	✓	✓
<b>JIS B5</b>	182 x 257 mm (7.2 x 10.1 in.)	✓	X	X	✓	✓	✓
<b>Legal</b>	215.9 x 355.6 mm (8.5 x 14 in.)	✓	✓	X	✓	✓	✓
<b>Letter</b>	215.9 x 279.4 mm (8.5 x 11 in.)	✓	✓	X	✓	✓	✓
<b>Oficio</b>	216 x 340 mm (8.5 x 13.4 in.)	✓	✓	X	✓	✓	✓
<b>Statement</b>	139.7 x 215.9 mm (5.5 x 8.5 in.)	✓	X	X	✓	✓	✓
<b>Universal</b>	139.7 x 148 mm to 215.9 x 355.6 mm (5.5 x 5.8 in. to 8.5 x 14 in.)	X	X	X	✓	X	X
<b>Universal</b>	76.2 x 127 mm to 229 x 359.9 mm (3 x 5 in. to 9 x 14.2 in.)	✓	X	X	✓	✓	X
<b>Universal</b>	98.4 x 162 mm to 176 x 250 mm (3.9 x 6.4 in. to 6.9 x 9.8 in.)	X	X	✓	X	X	X
<b>Universal</b>	210 x 215.9 mm to 210 x 1321 mm (8.27 x 8.5 in. to 8.27 x 52 in.)	X	X	X	✓	X	X
<b>7 3/4 Envelope</b>	98 x 190.5 mm (3.9 x 7.5 in.)	X	X	✓	✓	X	X
<b>9 Envelope</b>	98.4 x 225.4 mm (3.86 x 8.9 in.)	X	X	✓	✓	X	X
<b>10 Envelope</b>	104.8 x 241.3 mm (4.1 x 9.5 in.)	X	X	✓	✓	X	X
<b>B5 Envelope</b>	176 x 250 mm (6.9 x 9.8 in.)	X	X	✓	✓	X	X

<sup>1</sup> This paper source does not support automatic size sensing.

<sup>2</sup> A5 portrait reports as Universal in the standard and optional 550-sheet trays.

Paper size	Dimensions	550-sheet tray	2200-sheet tray	Envelope tray	Multipurpose feeder <sup>1</sup>	Two-sided printing	ADF
<b>C4 Envelope</b>	229 x 324 mm (9 x 13 in.)	X	X	X	✓	X	X
<b>C5 Envelope</b>	162 x 229 mm (6.4 x 9 in.)	X	X	✓	✓	X	X
<b>DL Envelope</b>	110 x 220 mm (4.3 x 8.7 in.)	X	X	✓	✓	X	X
<b>Other Envelope</b>	98.4 x 162 mm to 229 x 359.9 mm (3.9 x 6.4 in. to 9 x 14.2 in.)	X	X	X	✓	X	X

<sup>1</sup> This paper source does not support automatic size sensing.

<sup>2</sup> A5 portrait reports as Universal in the standard and optional 550-sheet trays.

### Supported output sizes

Paper size	Dimensions	Standard bin	Staple finisher		Multiposition staple, hole punch finisher <sup>1</sup>			
			Offset	Staple	Offset	Staple	Hole punch	2-bin mailbox
<b>3 x 5</b>	76.2 x 127 mm (3 x 5 in.)	✓	X	X	✓	X	X	✓
<b>4 x 6</b>	101.6 x 152.4 mm (4 x 6 in.)	✓	X	X	✓	X	X	✓
<b>A4</b>	210 x 297 mm (8.3 x 11.7 in.)	✓	✓	✓	✓	✓	✓	✓
<b>A5 landscape</b>	210 x 148 mm (8.3 x 5.8 in.)	✓	✓	X	✓	✓	X	✓
<b>A5 portrait<sup>2</sup></b>	148 x 210 mm (5.8 x 8.3 in.)	✓	X	X	✓	X	✓	✓
<b>A6</b>	105 x 148 mm (4.1 x 5.8 in.)	✓	X	X	✓	X	X	X
<b>Executive</b>	184.2 x 266.7 mm (7.3 x 10.5 in.)	✓	✓	X	✓	✓	✓	✓
<b>Folio</b>	215.9 x 330.2 mm (8.5 x 13 in.)	✓	✓	✓	✓	✓	✓	✓
<b>JIS B5</b>	182 x 257 mm (7.2 x 10.1 in.)	✓	✓	X	✓	✓	✓	✓
<b>Legal</b>	215.9 x 355.6 mm (8.5 x 14 in.)	✓	✓	✓	✓	✓	X	✓

<sup>1</sup> This option supports only CX825, CX860, and XC8100 Series models.

<sup>2</sup> A5 portrait reports as Universal in the standard and optional 550-sheet trays.



Paper size	Dimensions	Standard bin	Staple finisher		Multiposition staple, hole punch finisher <sup>1</sup>			
			Offset	Staple	Offset	Staple	Hole punch	2-bin mailbox
<b>Letter</b>	215.9 x 279.4 mm (8.5 x 11 in.)	✓	✓	✓	✓	✓	✓	✓
<b>Oficio</b>	216 x 340 mm (8.5 x 13.4 in.)	✓	✓	✓	✓	✓	✓	✓
<b>Statement</b>	139.7 x 215.9 mm (5.5 x 8.5 in.)	✓	X	X	✓	X	✓	✓
<b>Universal</b>	139.7 x 148 mm to 215.9 x 359.9 mm (5.5 x 5.8 in. to 8.5 x 14.2 in.)	✓	X	X	✓	X	X	X
<b>Universal</b>	76.2 x 127 mm to 229 x 359.9 mm (3 x 5 in. to 9 x 14.2 in.)	✓	X	✓	✓	X	X	X
<b>Universal</b>	98.4 x 162 mm to 176 x 250 mm (3.9 x 6.4 in. to 6.9 x 9.8 in.)	✓	X	X	X	X	X	X
<b>Universal</b>	210 x 215.9 mm to 210 x 1321 mm (8.27 x 8.5 in. to (8.27 x 52 in.)	✓	X	X	X	X	X	X
<b>7 3/4 Envelope</b>	98 x 190.5 mm (3.9 x 7.5 in.)	✓	X	X	X	X	X	X
<b>9 Envelope</b>	98.4 x 225.4 mm (3.86 x 8.9 in.)	✓	X	X	X	X	X	X
<b>10 Envelope</b>	104.8 x 241.3 mm (4.1 x 9.5 in.)	✓	X	X	X	X	X	X
<b>B5 Envelope</b>	176 x 250 mm (6.9 x 9.8 in.)	✓	X	X	X	X	X	X
<b>C4 Envelope</b>	229 x 324 mm (9 x 13 in.)	✓	X	X	X	X	X	X
<b>C5 Envelope</b>	162 x 229 mm (6.4 x 9 in.)	✓	X	X	X	X	X	X
<b>DL Envelope</b>	110 x 220 mm (4.3 x 8.7 in.)	✓	X	X	X	X	X	X
<b>Other Envelope</b>	98.4 x 162 mm to 229 x 359.9 mm (3.9 x 6.4 in. to (9 x 14.2 in.)	✓	X	X	X	X	X	X

<sup>1</sup> This option supports only CX825, CX860, and XC8100 Series models.

<sup>2</sup> A5 portrait reports as Universal in the standard and optional 550-sheet trays.

## Supported paper types

### Supported input types

**Pastaba:** Labels, envelopes, and card stock always print at reduced speed.

Paper type	550-sheet tray	2200-sheet tray	Envelope tray	Multipurpose feeder	Two-sided printing	ADF
Plain Paper	✓	✓	X	✓	✓	✓
Card Stock <sup>2</sup>	✓ <sup>1</sup>	X	X	✓ <sup>1</sup>	✓	X
Recycled	✓	✓	X	✓	✓	✓
Glossy	✓	✓	X	✓	✓	X
Heavy Glossy	✓	✓	X	✓	✓	X
Labels	✓	X	X	✓	X	X
Vinyl Labels	✓	X	X	✓	X	X
Bond	✓	✓	X	✓	✓	✓
Envelope	X	X	✓	✓	X	X
Rough Envelope	X	X	✓	✓	X	X
Transparency	X	X	X	✓	X	X
Letterhead	✓	✓	X	✓	✓	✓
Preprinted	✓	✓	X	✓	✓	✓
Colored Paper	✓	✓	X	✓	✓	✓
Light Paper	✓	✓	X	✓	✓	✓
Heavy Paper	✓	✓	X	✓	✓	✓
Rough Cotton	✓	✓	X	✓	✓	✓

<sup>1</sup> This paper source supports up to 176 g/m<sup>2</sup> of card stock weight.

<sup>2</sup> Card stock that weighs more than 176 g/m<sup>2</sup> is supported only in one-sided printing using the standard 550-sheet tray.

### Supported output types

Paper type	Staple finisher			Multiposition staple, hole punch finisher*		
	Non-finishing	Offset	Staple	Standard bin (Normal and offset stacking)	2-bin mailbox	Staple and hole punch
Plain Paper	✓	✓	✓	✓	✓	✓

\* This option supports only the CX825, CX860, and XC8100 printer models.

Paper type	Staple finisher			Multiposition staple, hole punch finisher*		
	Non-finishing	Offset	Staple	Standard bin (Normal and offset stacking)	2-bin mailbox	Staple and hole punch
Card Stock	✓	✓	X	✓	X	X
Transparency	✓	X	X	✓	X	X
Recycled	✓	✓	✓	✓	✓	✓
Glossy	✓	✓	X	✓	✓	X
Heavy Glossy	✓	✓	X	✓	✓	X
Labels	✓	X	X	✓	X	X
Vinyl Labels	✓	X	X	✓	X	X
Bond	✓	✓	✓	✓	✓	✓
Envelope	✓	✓	X	✓	X	X
Rough Envelope	✓	✓	X	✓	X	X
Letterhead	✓	✓	✓	✓	✓	✓
Preprinted	✓	✓	✓	✓	✓	✓
Colored Paper	✓	✓	✓	✓	✓	✓
Light Paper	✓	✓	✓	✓	✓	✓
Heavy Paper	✓	✓	✓	✓	✓	✓
Rough Cotton	✓	✓	✓	✓	✓	✓

\* This option supports only the CX825, CX860, and XC8100 printer models.

### Supported paper weights

Paper type	Standard 550-sheet tray	2200-sheet tray	Envelope tray	Multipurpose feeder
Plain Paper <sup>1,2</sup>	60–176 g/m <sup>2</sup> (16–47 lb) <sup>3</sup>	60–120 g/m <sup>2</sup> (16–32 lb)	N/A	60–176 g/m <sup>2</sup> (16–47 lb)
Banner Paper	N/A	N/A	N/A	90–105 g/m <sup>2</sup> (24–28 lb)
Glossy	88–176 g/m <sup>2</sup> (60–120 lb)	N/A	N/A	88–176 g/m <sup>2</sup> (60–120 lb)

<sup>1</sup> Grain short paper that weighs at least 90 g/m<sup>2</sup> (24 lb) is supported in two-sided printing.  
<sup>2</sup> Recycled paper that weighs 75–120 g/m<sup>2</sup> (20–32 lb) is supported in two-sided printing.  
<sup>3</sup> The paper weight is also supported in two-sided printing.  
<sup>4</sup> 100% cotton content maximum weight is 24 lb bond.  
<sup>5</sup> 28 lb-bond envelopes are limited to 25% cotton content.

Paper type	Standard 550-sheet tray	2200-sheet tray	Envelope tray	Multipurpose feeder
<b>Card stock</b>	88–300 g/m <sup>2</sup> (60–192 lb)	N/A	N/A	163–176 g/m <sup>2</sup> (90–120 lb)
<b>Labels</b>	88–300 g/m <sup>2</sup> (60–192 lb)	N/A	N/A	199–220 g/m <sup>2</sup> (53–59 lb)
<b>Envelopes</b>	N/A	N/A	60–105 g/m <sup>2</sup> (16–28 lb) <sup>4, 5</sup>	60–105 g/m <sup>2</sup> (16–28 lb)

<sup>1</sup> Grain short paper that weighs at least 90 g/m<sup>2</sup> (24 lb) is supported in two-sided printing.

<sup>2</sup> Recycled paper that weighs 75–120 g/m<sup>2</sup> (20–32 lb) is supported in two-sided printing.

<sup>3</sup> The paper weight is also supported in two-sided printing.

<sup>4</sup> 100% cotton content maximum weight is 24 lb bond.

<sup>5</sup> 28 lb-bond envelopes are limited to 25% cotton content.

## Supported card stock

Paper type	Grain direction	Paper weight			
		Standard tray	Optional 550-sheet tray	Multipurpose feeder	Two-sided printing
<b>Index Bristol</b>	Grain long	300 g/m <sup>2</sup> (166 lb)	163 g/m <sup>2</sup> (90 lb)	163 g/m <sup>2</sup> (90 lb)	163 g/m <sup>2</sup> (90 lb)
	Grain short	300 g/m <sup>2</sup> (166 lb)	199 g/m <sup>2</sup> (110 lb)	199 g/m <sup>2</sup> (110 lb)	199 g/m <sup>2</sup> (110 lb)
<b>Tag</b>	Grain long	300 g/m <sup>2</sup> (184 lb)	163 g/m <sup>2</sup> (100 lb)	163 g/m <sup>2</sup> (100 lb)	163 g/m <sup>2</sup> (100 lb)
	Grain short	300 g/m <sup>2</sup> (184 lb)	203 g/m <sup>2</sup> (125 lb)	203 g/m <sup>2</sup> (125 lb)	203 g/m <sup>2</sup> (125 lb)
<b>Cover</b>	Grain long	300 g/m <sup>2</sup> (110 lb)	176 g/m <sup>2</sup> (65 lb)	176 g/m <sup>2</sup> (65 lb)	176 g/m <sup>2</sup> (65 lb)
	Grain short	300 g/m <sup>2</sup> (110 lb)	218 g/m <sup>2</sup> (80 lb)	218 g/m <sup>2</sup> (80 lb)	218 g/m <sup>2</sup> (80 lb)

## Supported labels

Label type	Width and length	Weight	Thickness	Smoothness
<b>Paper</b>	76 x 216 mm (3 x 8.5 in.) <sup>a</sup>	Up to 180 g/m <sup>2</sup> (48 lb)	0.13–0.20 mm (0.005–0.0008 in.)	50–300 Sheffield <sup>b</sup>
<b>Dual web</b>		Up to 180 g/m <sup>2</sup> (48 lb)		
<b>Polyester</b>		Up to 220 g/m <sup>2</sup> (59 lb)		
<b>Vinyl</b>		Up to 300 g/m <sup>2</sup> (92 lb)		
<b>Integrated forms</b>	N/A	Up to 175 g/m <sup>2</sup> (47 lb) <sup>c</sup>	N/A	N/A

<sup>a</sup> The minimum size for labels supported in the multipurpose feeder is 76 x 124 mm (3 x 5 in.). The minimum size for labels supported in the standard and optional trays is 148 x 210 mm (5.8 x 8.3 in.).

<sup>b</sup> 50 Sheffield is optimal. Using media higher than 300 Sheffield could result in print quality degradation.

<sup>c</sup> The weight is only supported in two-line-printing.

## Letterhead orientation

Source	Printing	Printed side	Paper orientation
Trays	One-sided	Faceup	Load paper with the top edge toward the left side of the tray.
	Two-sided	Facedown	Load paper with the top edge toward the right side of the tray.
Multipurpose feeder	One-sided	Facedown	Load paper with the top edge entering the printer first.
	Two-sided	Faceup	Load paper with the top edge entering the printer last.

**Pastabos:**

- For one-sided print jobs that require finishing, load paper facedown with the top edge toward the right side of the tray. For the multipurpose feeder, load paper faceup with the top edge entering the printer last.
- For two-sided print jobs that require finishing, load paper faceup with the top edge toward the left side of the tray. For the multipurpose feeder, load paper facedown with the top edge entering the printer first.

## „Lexmark“ spausdintuvai ir daugiafunkciai spausdintuvai C4150, CS720, CS725, CS727, CS728, CX725, CX727, XC4140, XC4143, XC4150, XC4153



Toliau pateiktose lentelėse pateikiama informacija apie standartinius ir papildomus popieriaus šaltinius bei jiems tinkamus popieriaus formatus, rūšis ir svorius.

**Pastaba:** Jei sąrašė nėra pageidaujamo popieriaus formato, pasirinkite arčiausiai sąrašė esantį *didesnį* formatą.

## Supported paper sizes

Paper size	Dimensions	550-sheet tray	Multipurpose feeder*	Two-sided printing	ADF
<b>A4</b>	210 x 297 mm (8.3 x 11.7 in.)	✓	✓	✓	✓
<b>A5 long edge</b>	210 x 148 mm (8.3 x 5.8 in.)	✓	✓	✓	✗
<b>A5 short edge</b>	148 x 210 mm (5.8 x 8.3 in.)	✓	✓	✓	✓
<b>A6</b>	105 x 148 mm (4.1 x 5.8 in.)	✓	✓	✓	✓
<b>Banner</b>	Max width: 215.9 mm (8.5 in.) Max length: 1320.8 mm (52 in.)	✗	✓	✗	✗
<b>Executive</b>	184.2 x 266.7 mm (7.3 x 10.5 in.)	✓	✓	✓	✓
<b>Folio</b>	215.9 x 330.2 mm (8.5 x 13 in.)	✓	✓	✓	✓
<b>JIS B5</b>	182 x 257 mm (7.2 x 10.1 in.)	✓	✓	✓	✓
<b>Legal</b>	215.9 x 355.6 mm (8.5 x 14 in.)	✓	✓	✓	✓
<b>Letter</b>	215.9 x 279.4 mm (8.5 x 11 in.)	✓	✓	✓	✓
<b>Oficio</b>	215.9 x 340 mm (8.5 x 13.4 in.)	✓	✓	✓	✓
<b>Statement</b>	139.7 x 215.9 mm (5.5 x 8.5 in.)	✓	✓	✓	✓
<b>Universal</b>	105 x 148 mm to 215.9 x 355.6 mm (4.13 x 5.83 in. to 8.5 x 14 in.)	✓	✓	✓	✗
<b>Universal</b>	76.2 x 127 mm to 215.9 x 355.6 mm (3 x 5 in. to 8.5 x 14 in.)	✗	✓	✗	✗
<b>7 3/4 Envelope</b>	98.4 x 190.5 mm (3.9 x 7.5 in.)	✗	✓	✗	✗
<b>9 Envelope</b>	98.4 x 225.4 mm (3.86 x 8.9 in.)	✗	✓	✗	✗
<b>10 Envelope</b>	104.8 x 241.3 mm (4.1 x 9.5 in.)	✓	✓	✗	✗
<b>B5 Envelope</b>	176 x 250 mm (6.9 x 9.8 in.)	✓	✓	✗	✗

\* This paper source does not support automatic size sensing.

Paper size	Dimensions	550-sheet tray	Multipurpose feeder*	Two-sided printing	ADF
<b>C5 Envelope</b>	162 x 229 mm (6.4 x 9 in.)	✓	✓	X	X
<b>DL Envelope</b>	110 x 220 mm (4.3 x 8.7 in.)	✓	✓	X	X
<b>Monarch</b>	98.4 x 190.5 mm (3.9 x 7.5 in.)	X	✓	X	X
<b>Other Envelope</b>	98.4 x 162 mm to 176 x 250 mm (3.87 x 6.38 in. to 6.93 x 9.84 in.)	X	✓	X	X

\* This paper source does not support automatic size sensing.

## Palaikomos popieriaus rūšys

**Pastaba:** Etiketės, vokai ir kartoninis popierius visada spausdinami mažesne sparta.

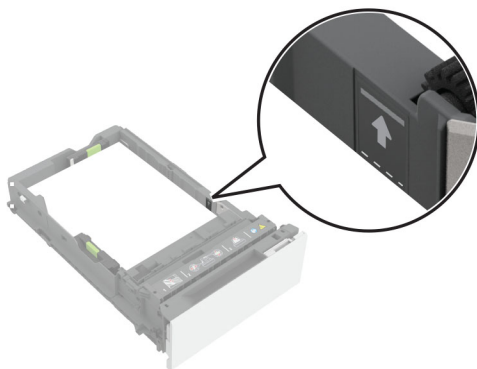
Popieriaus rūšis	550 lapų dėklas	Daugiafunkcis tiek tuvas	ADT
<b>Paprastas popierius („Plain Paper“)</b>	✓	✓	✓
<b>Kartoninis popierius („Card Stock“)</b>	✓	✓	X
<b>Perdirbtas popierius („Recycled“)</b>	✓	✓	✓
<b>Blizgus popierius („Glossy“)</b>	✓	✓	X
<b>Sunkus blizgus popierius („Heavy Glossy“)</b>	✓	✓	X
<b>Etiketės („Labels“)</b>	✓	✓	X
<b>Vinilinės etiketės („Vinyl Labels“)</b>	✓	✓	X
<b>Standus popierius („Bond“)</b>	✓	✓	✓
<b>Vokai („Envelope“)</b>	✓	✓	X
<b>Šiurkštūs vokai („Rough Envelope“)</b>	✓	✓	X
<b>Permatomos laikmenos („Transparency“)</b>	X	X	X
<b>Firminiai blankai („Letterhead“)</b>	✓	✓	✓
<b>Iš anksto paruoštos formos („Preprinted“)</b>	✓	✓	✓
<b>Spalvotas popierius („Colored“)</b>	✓	✓	✓
<b>Lengvas popierius („Light“)</b>	✓	✓	✓
<b>Sunkus popierius („Heavy“)</b>	✓	✓	✓
<b>Tinkinta rūšis</b>	✓	✓	✓

## Palaikomi popieriaus svoriai

Popieriaus rūšis	Popieriaus svoris
<b>Paprastas popierius („Plain Paper“)</b>	75–90,3 g/m <sup>2</sup> (20–24 sv.)
<b>Blizgus popierius („Glossy“)</b>	88–176 g/m <sup>2</sup> (60–120 sv. knyga)
	162–176 g/m <sup>2</sup> ilgo pluošto popierius (60–65 sv. viršelis)
<b>Sunkus popierius</b>	90,3–105 g/m <sup>2</sup> ilgo pluošto popierius (24,1–28-sv.)
<b>Kartoninis popierius</b>	Iki 199 g/m <sup>2</sup> ilgo pluošto popierius (110 sv.)
	Iki 218 g/m <sup>2</sup> trumpo pluošto popierius (80 sv.)
<b>Etiketės (popierinės etiketės)</b>	218 g/m <sup>2</sup> (58 sv.)
<b>Etiketės (vinilinės etiketės)</b>	300 g/m <sup>2</sup> (79,9 sv.)
<b>Vokai</b>	60–105 g/m <sup>2</sup> (16–28 sv. įrišimas)

## Tray fill line information

Depending on construction, paper labels and card stock can sometimes be difficult to pick and feed reliably. Performance can be improved by controlling the number of sheets of media loaded in the tray. There are two fill lines in the tray. The solid line is the maximum paper fill indicator. No media should be loaded in the tray above this line or paper jams could occur. The dashed line is the alternate paper fill indicator. It should be used if any feed or reliability issues are noted with specialty media, including labels and card stock. If paper jams occur when completely filling the tray, load the specialty media only up to the alternate paper fill indicator.



## Supported card stock

Paper type	Grain direction	Paper weight
<b>Index Bristol</b>	Grain long	199 g/m <sup>2</sup> (110 lb)
	Grain short	199 g/m <sup>2</sup> (110 lb)
<b>Tag</b>	Grain long	163 g/m <sup>2</sup> (100 lb)
	Grain short	203 g/m <sup>2</sup> (125 lb)



Paper type	Grain direction	Paper weight
Cover	Grain long	176 g/m <sup>2</sup> (65 lb)
	Grain short	218 g/m <sup>2</sup> (80 lb)

## Supported labels

Label type	Width and length	Weight	Thickness	Smoothness
Paper	76 x 216 mm (3 x 8.5 in.) <sup>*</sup>	218 g/m <sup>2</sup> (58 lb)	0.13-0.20 mm (0.005-0.0008 in.)	50-300 Sheffield <sup>†</sup>
Vinyl		300 g/m <sup>2</sup> (79.9 lb)		

<sup>\*</sup> The minimum size for labels supported in the multipurpose feeder is 76 x 124 mm (3 x 5 in.). The minimum size for labels supported in the standard and optional trays is 148 x 210 mm (5.8 x 8.3 in.).

<sup>†</sup> 50 Sheffield is optimal. Using media higher than 300 Sheffield could result in print quality degradation.

**Pastaba:** Limit label printing to occasional use only, approximately 1500 labels per month.

## Letterhead orientation

Source	Printing	Printed side	Paper orientation
Trays	One-sided	Faceup	Load paper with the top edge toward the front of the tray.
	Two-sided	Facedown	Load paper with the top edge toward the back of the tray.
Multipurpose feeder	One-sided	Facedown	Load paper with the top edge entering the printer first.
	Two-sided	Faceup	Load paper with the top edge entering the printer last.

## Žodynėlis

<b>Alyvos nutekėjimas</b>	Medžiagų perkėlimas nuo pagrindo arba klijų į paviršių. Paprastai tai atsitinka pasenusiose medžiagose arba medžiagose, veikiuose ekstremalių temperatūros pokyčių. Dar vadinama prasiskverbimu, pasklida.
<b>Aptaškymas</b>	Juodų dėmių atsiradimas aplink atspausdintą vaizdą. Paprastai tai susiję su spausdinimu ant medžiagos, kuri yra per sunki arba kurios paviršius atstumia dažus.
<b>Apvertimas</b>	Popieriaus krašto lenkimas konvertuojant dėl atšipusio kirtimo peilio.
<b>Atsparumas</b>	Klijų gebėjimas priešintis etikečių nusilupimui per spausdinimo procesą.
<b>Bazinis svoris</b>	Tam tikro skaičiaus standartinio formato popieriaus lapų arba medžiagos svoris svarais.
<b>Debossavimas</b>	Vaizdo įspaudimo etiketės arba kartoninio popieriaus paviršiuje procesas. Taip pat žr. „Įspaudavimas“ <a href="#">228 puslapyje</a> .
<b>Delaminacija</b>	Etikečių atsilupimas nuo pagrindo per spausdinimo procesą.
<b>Drėgmės kiekis</b>	Drėgmės kiekis popieriuje, kuris turi įtakos spausdinimo kokybei ir popieriaus tiekimui. Palikite popierių originalioje pakuotėje, kol būsite pasiruošę jį naudoti. Taip apribojamas drėgmės pokyčių poveikis popieriui, dėl kurių gali būti sugadintas popierius.
<b>Galinės įpjovos</b>	Tai dar vadinama galinio arba dengiamojo sluoksniu iškirtimais. Perpjauja užpakalinę pamušalo pusę. Galiniai plyšiai padidina klijų užteršimo galimybę.
<b>Glotnumas</b>	Spausdinimo medžiagos lygumo laipsnis. Jei popierius yra per šiurkštus, dažnai netinkamai susilieja su popieriumi, todėl spausdinimo kokybė būna prasta. Jei popierius yra per lygus, spausdintuve gali kilti popieriaus tiekimo problemų. Lygumas matuojamas Šefildo taškais; mažesnės reikšmės nurodo lygesnį popierių.
<b>Grupavimas</b>	Kaip gerai popierius kaupiasi išvesties dėtuvėje.
<b>Iškirtimas be tarpų</b>	Pjaukite lygiai vienas su kitu, be papildomo ploto tarp jų. Šis pjūvis nesitęsia per pamušalą. Be tarpų iškirstų etikečių kraštinė matrica gali būti pašalinta arba ne.
<b>Kaitinimas</b>	Spausdintuvo dažų lydymosi ir priklijavimo prie spausdinimo medžiagos procesas.
<b>Kaitinimo klasė</b>	Kokybinis dažų sukibimo su spausdintu lapu matavimas.
<b>Kalandravimas</b>	Popieriaus judėjimas per metalinius ritinius gamybos metu, siekiant išlyginti ir blizginti popieriaus paviršių.
<b>Kampinis skirtukas</b>	Metalinis skirtukas popieriaus dėklo kampe, padedantis spausdintuvui atskirti vieną popieriaus lapą nuo šūsnio rinkimo proceso metu.
<b>Klijinimas</b>	Popieriaus (vidaus arba išorės) naudojami priedai, gerinantys ofsetinės spaudos savybes ir atsparumą skysčiams.

<b>Konversija</b>	Procesas, kurio metu bazinės žaliavos paverčiamos pjaustytų lakštų gaminiais, sukurtais konkrečioms reikmėms. Konvertavimas apima pagrindinės medžiagos pjaustymą pagal matmenis, medžiagos perforavimą, šampinį išskirtimą ir dažų bei viršutinių sluoksnių taikymą.
<b>Konvertuotojai</b>	Spausdinimo medžiagų tiekėjai, kurie paima iš gamintojo bazines medžiagas ir paverčia jas į supjaustytus lakštinius gaminius.
<b>Lapas</b>	Vienas popieriaus arba etikečių gabalas (puslapis).
<b>Lazerinės perforacijos</b>	Mažos perforacijos (20–30 perforacijų colyje), kurios sukuria mažai popieriaus dulkių ir šiukšlių ir paprastai nesukelia lizdų. Tai dar vadinama <i>mikroperforacijomis</i> arba <i>duomenų perforacijomis</i> .
<b>Matrica</b>	Nereikalingos iškirstos medžiagos dalys aplink etiketes. Matrica gali būti pašalinta, kad būtų lengviau nulupti etiketes nuo dengiamojo sluoksnio.
<b>Mikroperforacijos</b>	Žr. „ <a href="#">Lazerinės perforacijos</a> “ 227 puslapyje.
<b>Neišpjautos vietos</b>	Maži plotai išilgai perforacijų arba įpjovų etiketės priekinėje medžiagoje (slėgiui jautrioje medžiagoje) arba kartoninėje plokštėje, kurios nėra perpjautos. Neišpjautos vietos padeda stabilizuoti formą ir neleidžia plyšti ties perforacijomis ir iškirstomis formelėmis.
<b>Nutekėjimas</b>	Klijai nukeliauja nuo etikečių, o tai gali užteršti spausdintuvą.
<b>Ofsetinė pudra</b>	Per kai kuriuos spausdinimo procesus naudojama pudra, padedanti išdžiūti rašalui.
<b>Pakreipimas</b>	Išspausdintų linijų pakreipimas popieriaus krašto atžvilgiu, nes popierius per spausdintuvą tiekiamas ne tiesiu keliu.
<b>Paėmimas</b>	Mechaninis veiksmas, kurį spausdintuvas atlieka, kad iš dėklo pašalintų vieną medžiagos lapą.
<b>Paėmimo volelis</b>	Volelis, padedantis iš dėklo paimti medžiagos lakštą.
<b>Pašalinta kraštinė matrica</b>	Etiketės, iš kurių pašalinta dalis ploto aplink išorinį lapo kraštą.
<b>Perforacija</b>	Labai mažų skylučių arba išpjovų linija, kad būtų lengviau plyšti. Taip pat žr. „ <a href="#">Lazerinės perforacijos</a> “ 227 puslapyje.
<b>Plaušai</b>	Maži klijų gabalėliai ant slėgiui jautrios medžiagos štampuotose ir perforuotose vietose. Plaušai rodo, kad peilis yra atšipęs, ir yra susiję su klijų šlyjamuoju stipriu.
<b>Pluoštas</b>	Spausdinimo medžiagoje esančių pluoštų orientacija. Skersinis pluoštas nurodo, kad pluoštas eina skersai popieriaus. Išilginis pluoštas nurodo, kad pluoštas eina išilgai popieriaus.
<b>Pluošto sudėtis</b>	Popieriaus gamybai naudojama medžiaga. Dauguma aukštos kokybės kserografinio popieriaus gaminama iš 100 proc. chemiškai apdorotos medienos plaušienos. Ši sudėtis suteikia popieriui didelį stabilumą, todėl kyla mažiau popieriaus tiekimo problemų ir užtikrinama geresnė spausdinimo kokybė. Popierius, kurio sudėtyje yra pluoštų, pvz., medvilnės, turi savybių, dėl kurių gali suprastėti popieriaus tiekimas.
<b>Popieriaus paėmimo volelių blokas</b>	Krumpliaračiu varoma paėmimo svirtis, pakabinama atsvarine spyruokle, leidžiančia spausdintuvui automatiškai reguliuoti griebimo jėgą, reikalingą įvairių tipų spausdinimo medžiagoms.
<b>Priekalo pjūviai</b>	Iškirtimai, kai iškertamas ir viršutinis medžiagos sluoksnis, ir etiketės dengiamasis sluoksnis.

<b>Priekinis kraštas</b>	Spausdinimo medžiagos kraštas, kuris pirmiausia patenka į spausdintuvo popieriaus kelią.
<b>Pusiau skystas</b>	Turintys tiek skystų, tiek kietų savybių.
<b>Rašalo užterštumas</b>	Rašalo nutekėjimas iš formos į spausdintuvo paėmimo mechanizmą arba kaitintuvo bloką, dėl kurio gali būti užterštas spausdintuvas.
<b>Sijos stiprumas</b>	Tai dar vadinama medžiagos stipriu. Nurodo, kaip gerai medžiaga laikosi ir išlieka plokščia bei tiesi spausdinimo proceso metu.
<b>Superkalandravimas</b>	Procesas, kai popierius pereina per įkaitintą, poliruotą plieną ir suspaustus medvilnės ritinius, kurie „lygina“ medžiagą iki blizgaus, poliruoto paviršiaus.
<b>Susikabinimas</b>	Susikabinti; prikibti vienas prie kito.
<b>Susiraukšlėjimas lankstant</b>	Perforuotos medžiagos susiraukšlėjimas ją lankstant.
<b>Termografija</b>	Spausdinimo procesas, kurio metu rašalo vaizdas arba dizainas iškeliamas virš pagrindinės medžiagos paviršiaus. Taip pat žinomas kaip elektrotermografija.
<b>Tiekimas</b>	Kaip gerai medžiaga paduodama iš popieriaus dėklo ir per spausdintuvą.
<b>Tiekimo kraštas</b>	Spausdintuvuose, kuriuose naudojamas fiksuotas atskaitos taškas popieriui tiekti per popieriaus kelią (priešingai nuo spausdintuvų, kurie centruoja popierių kelyje), spausdinimo medžiagos kraštas, esantis šalia aparatinės įrangos atskaitos taško ir paduodamas naudojant spausdintuvo velenėlius. Daugelio „Lexmark“ spausdintuvų tiekimo kraštas yra kairysis stačio lapo kraštas.
<b>Toneris</b>	Medžiaga, kuri prilimpa prie popieriaus arba spausdinimo medžiagos, kad būtų sukurtas išspausdintas vaizdas.
<b>Traukimo jėga</b>	Didžiausias stiprumas arba laikymo galia, kurią turi etiketė prieš ją atskiriant nuo įdėklo.
<b>Užsiritimas</b>	Medžiagos briaunos banguotumas arba kreivumas, paprastai susijęs su drėgme.
<b>Užteršimas kljais</b>	Klijų nutekėjimas nuo etiketės, dėl kurio gali būti užterštas spausdintuvas. Tai dar vadinama užteršimu lipnia medžiaga.
<b>Veliumo apdaila</b>	Danga su grubiu paviršiumi, panašiu į kiaušinio lukštą ir senovinę apdailą. Veliumo danga yra santykinai gerai sugerianti, todėl rašalas gerai prasiskverbia.
<b>Visiškai pašalinta matrica</b>	Etiketės, kuriose aplink etiketes yra nereikalinga štampuoto popieriaus dalis, įskaitant dalį tarp etikečių, pašalintos, kad būtų lengviau nulupti etiketes nuo pagrindo.
<b>Zoninė danga</b>	Klijai naudojami tik rinktinėse vietose. Gali būti sritys be klijų etikečių kraštuose. Dar vadinama raštuotu klijavimu, raštuotu padengimu, separatoriumi, padengimu juostelėmis.
<b>Įspaudavimas</b>	Pagrindo medžiagos paviršiaus pakėlimas štampuojant atvaizdą ar dizainą reljefiniu įtaisu. Mašinoje yra ritinys, kurio paviršiuje yra iškilęs vaizdas. Kai spausdinimo medžiaga praeina per mašiną, vaizdas įspaudžiamas į medžiagą. Taip pat žr. <a href="#">„Debossavimas“ 226 puslapyje</a> .
<b>Šlyjamasis stipris</b>	Klijų sukibimo stiprumas.

**Štampinis iškirtimas**

Etiketės: medžiagos (viršutinio sluoksnio) iškirtimas taip, kad ant lapo būtų suformuotos atskiros etiketės. Įpjovos neprasiskverbia į pamušalą. Kartoninis popierius: iškirtimai, padaryti naudojant štampus, kad būtų sukurtos norimos formos medžiagoje. Iškirtimai gali būti padaryti per visą medžiagą arba ne per visą. Taip pat žr. [„Neišpjautos vietos“ 227 puslapyje](#).