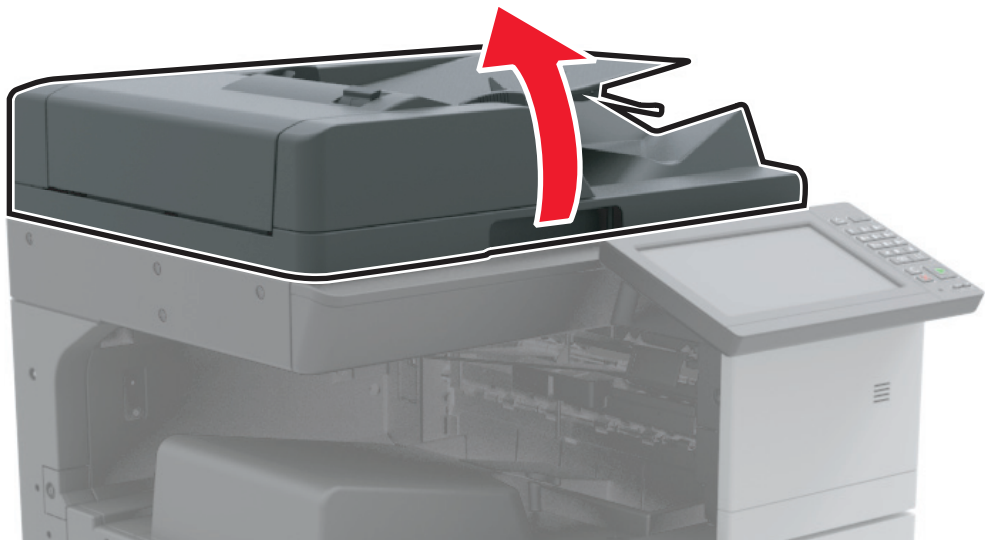


CLEANING THE SCANNER GLASS

CX920, CX921, CX922, CX923, CX924, and CX927

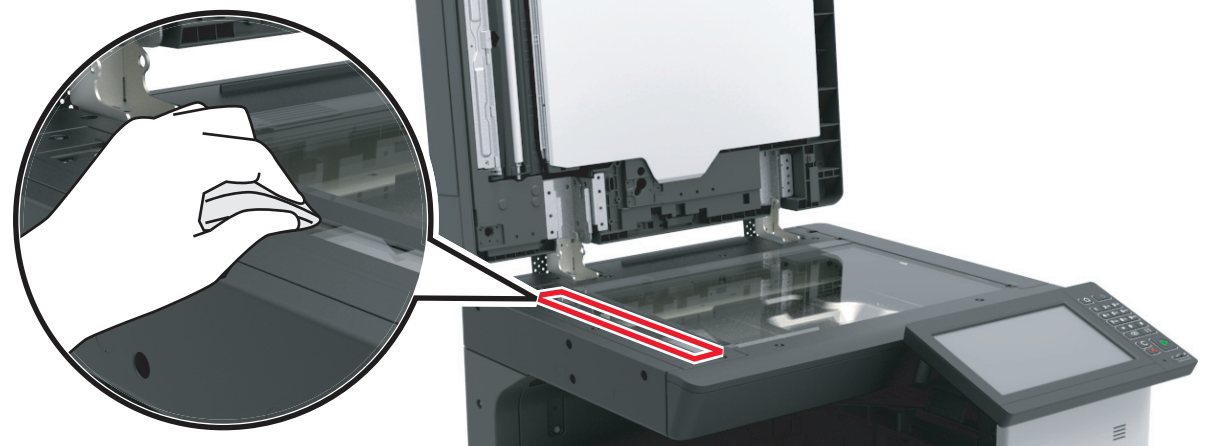
NOTE: USE A DAMP, SOFT, LINT-FREE CLOTH

01



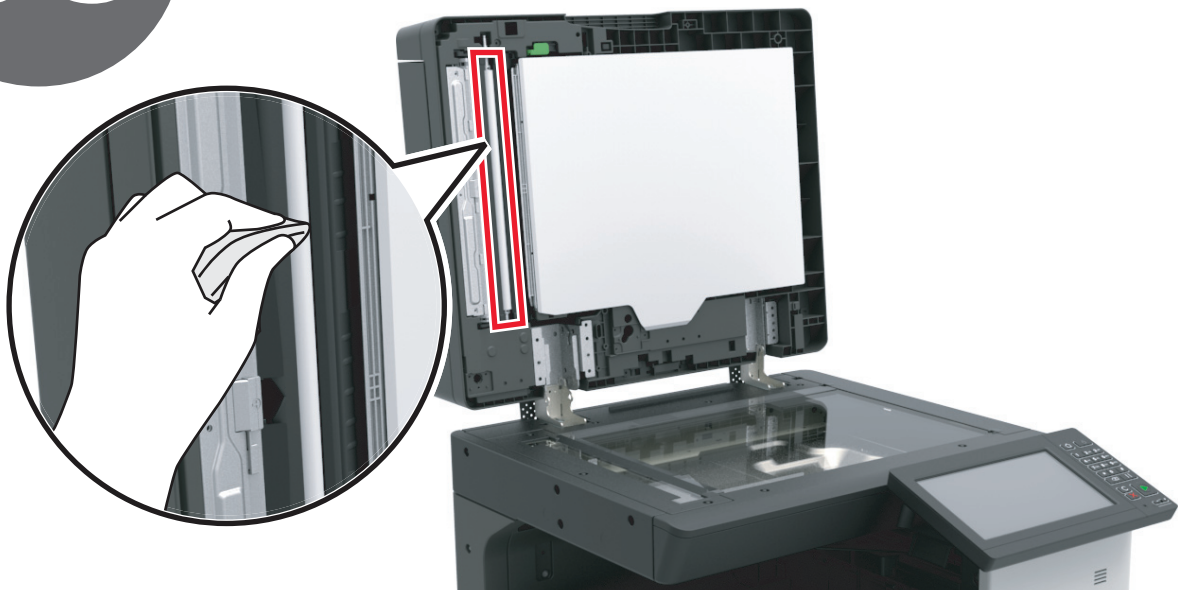
Open the Scanner Cover

02



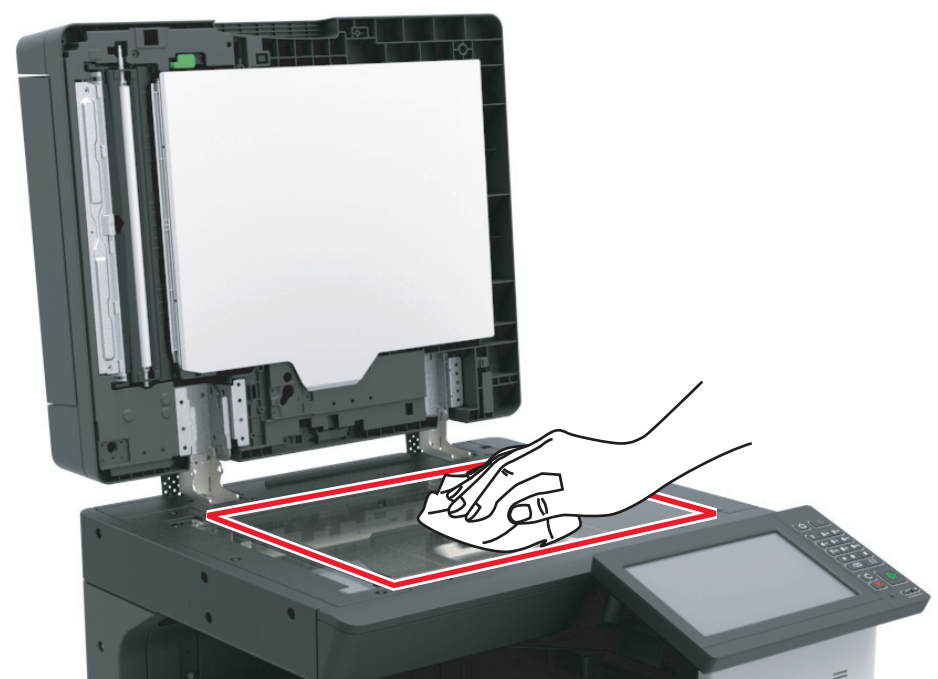
Wipe the ADF Glass

03



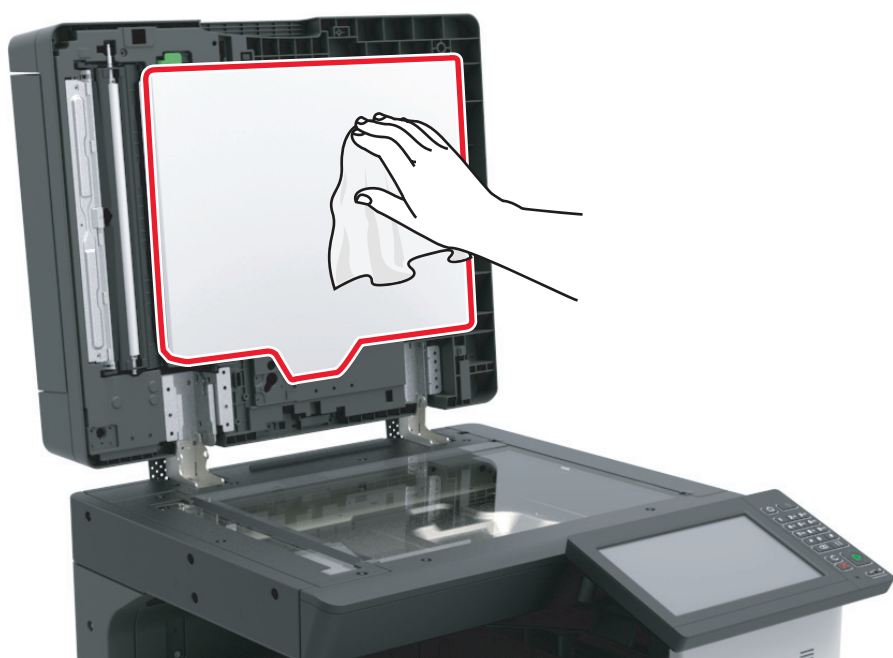
Wipe the ADF Glass Pad

04



Wipe the Scanner Glass

05



Wipe the Scanner Glass Pad



**SCAN TO WATCH
THE VIDEO**