



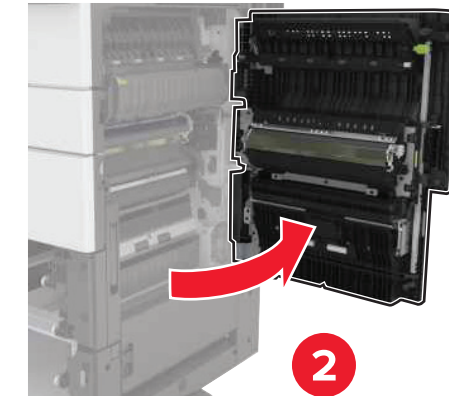
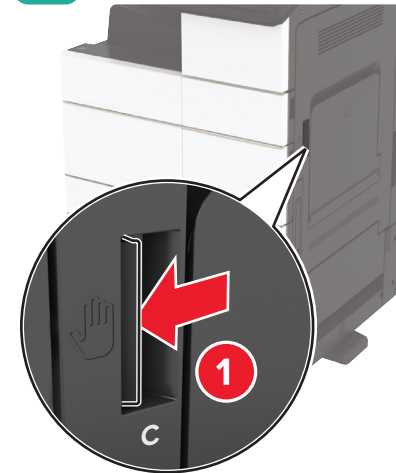
SCAN TO WATCH THE VIDEO

MX910 to MX912 Clearing Jams

Note: Make sure to follow the steps as shown.

1 START HERE Check door C first before opening any trays

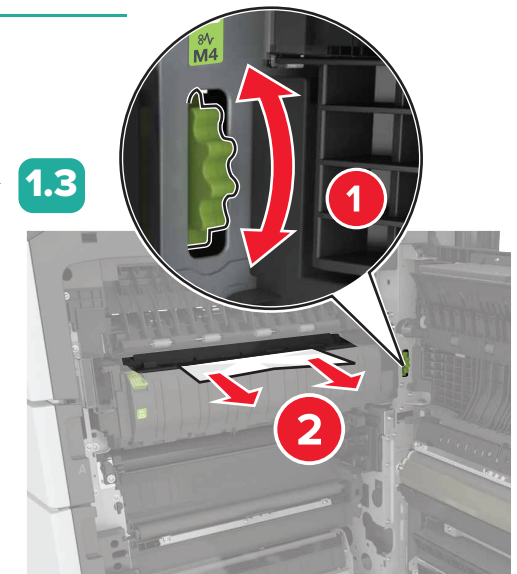
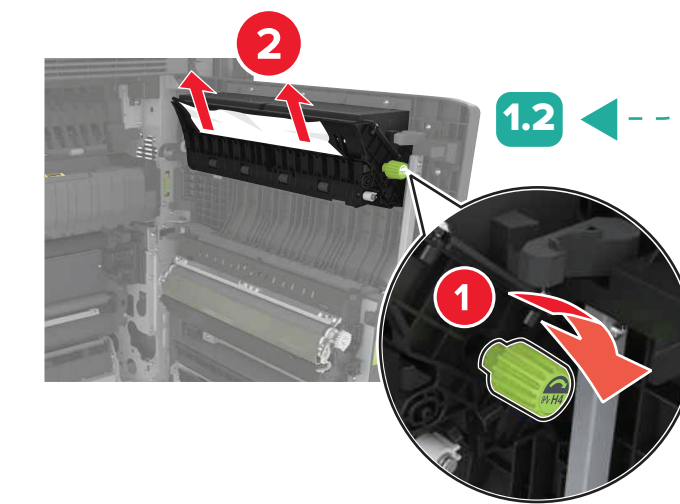
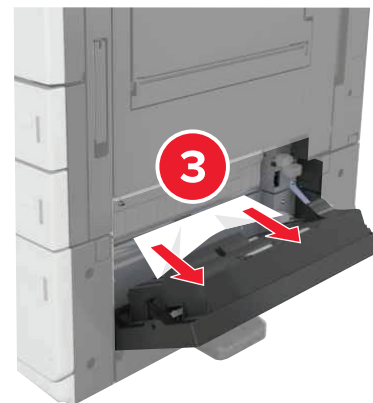
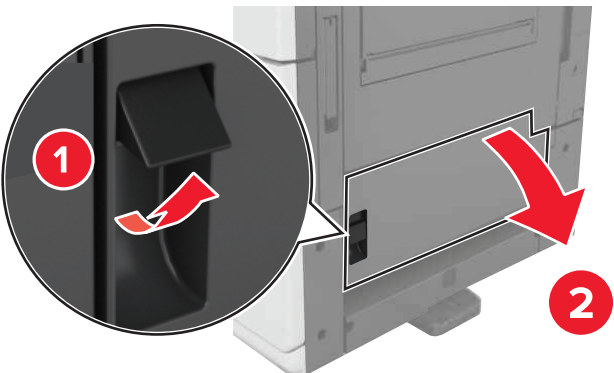
1.1



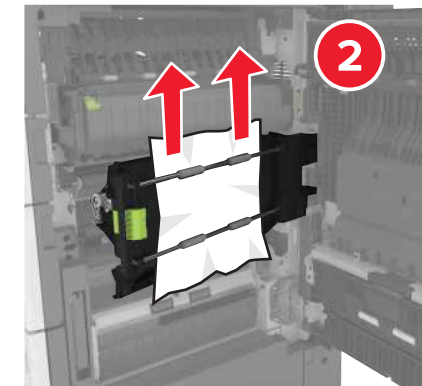
3 Check trays last



2 Check here next



1.4



1.5

