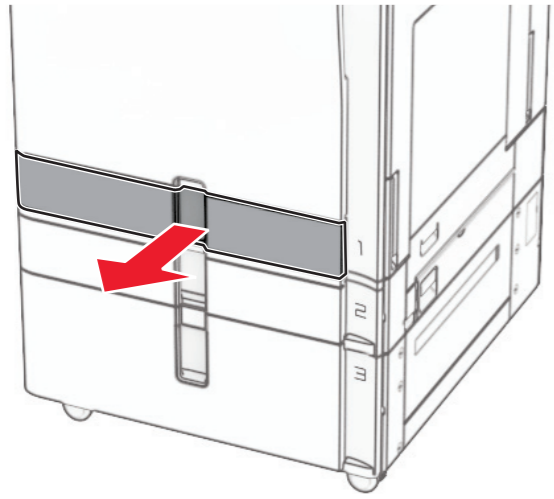
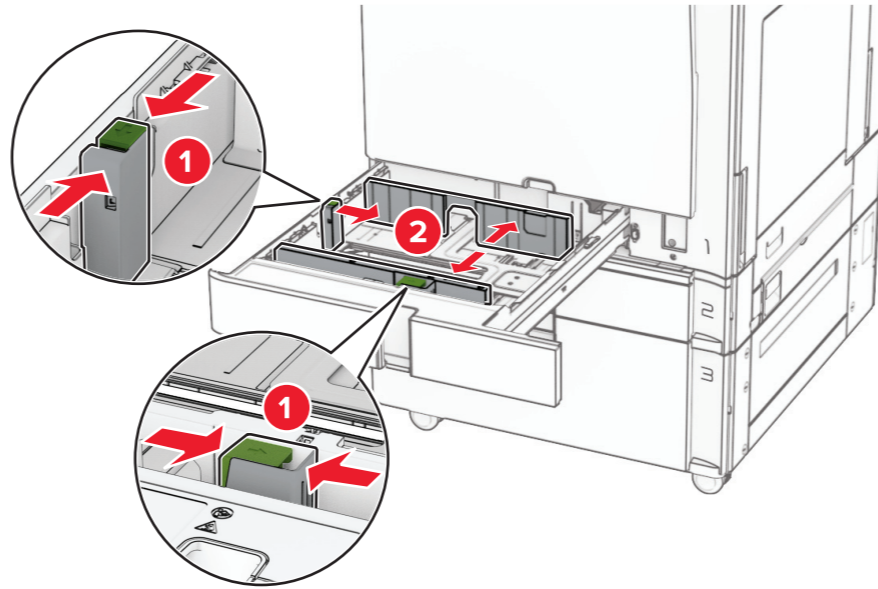
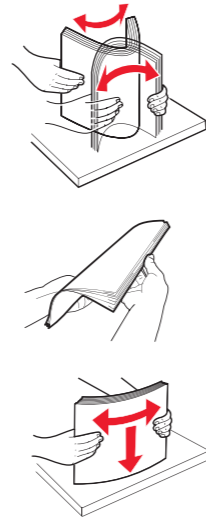


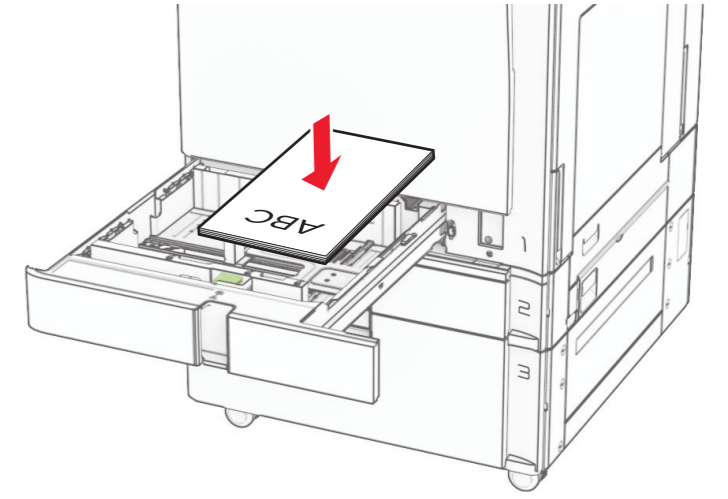
9



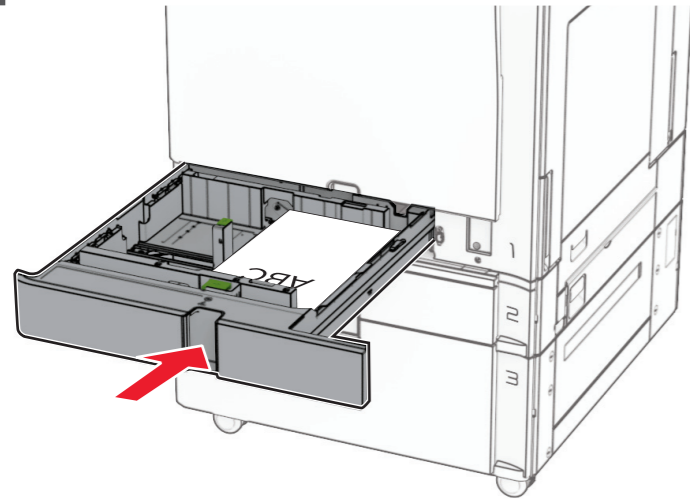
10



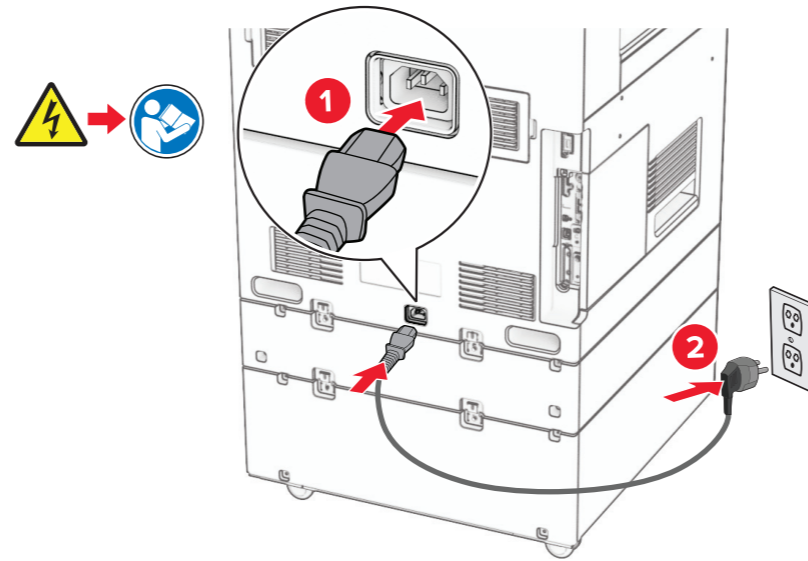
11



12



13



14



<https://support.lexmark.com/>